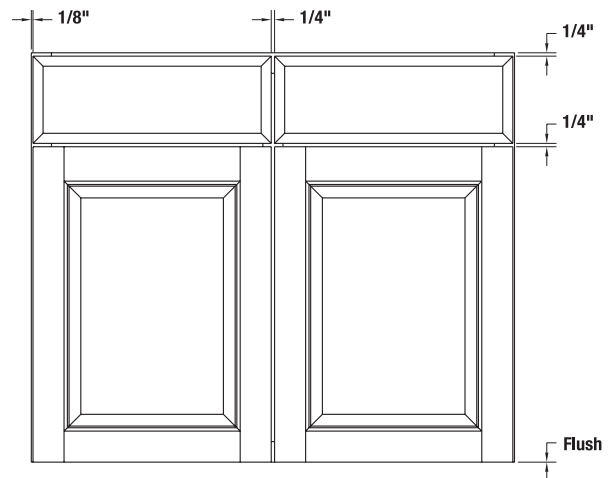
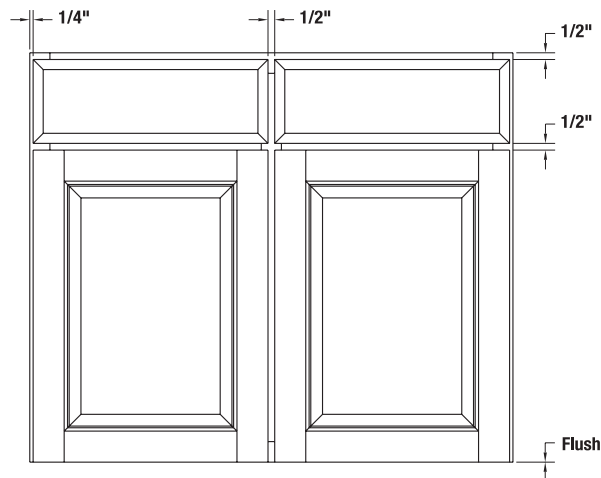
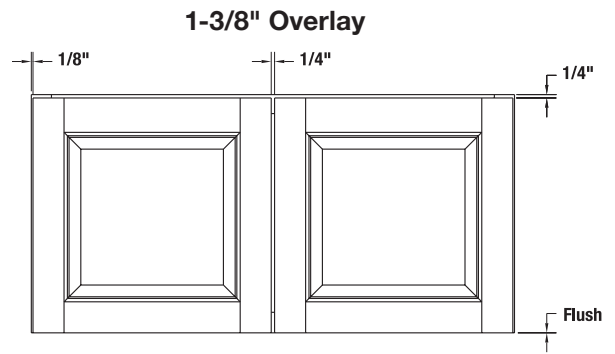
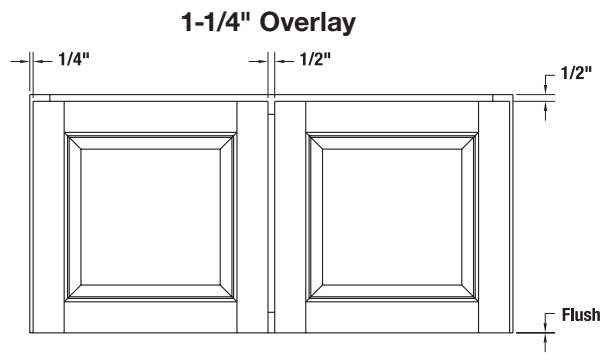
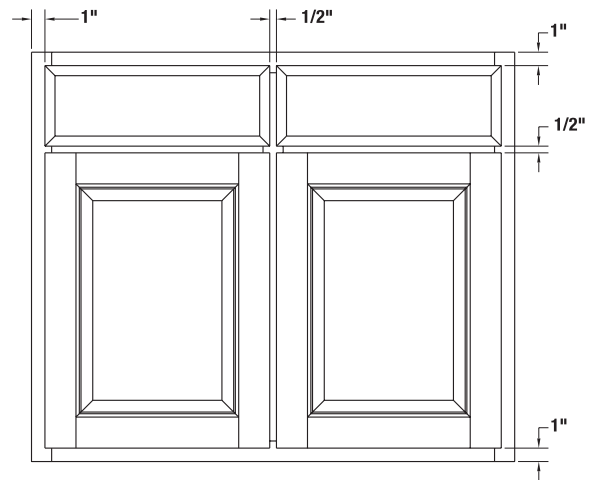
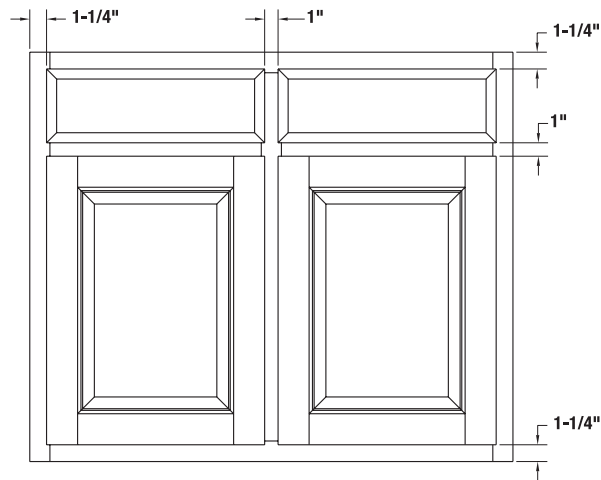
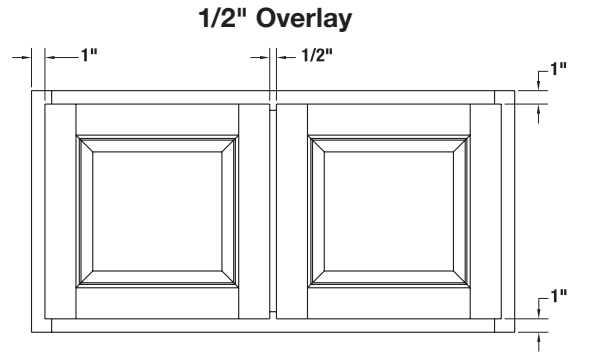
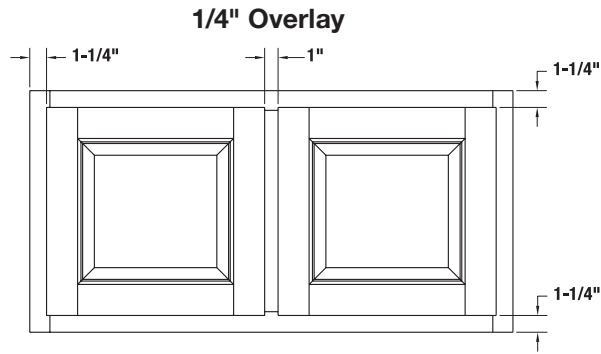


## Program Door and Drawer Front Specifications

The following specifications are for CRP-10 and TW-10 Program doors, and 3/4" thick Slab and 1" thick #10 Program drawer fronts. These designs receive modified material pricing as a benefit to customers who order complete Cabinet Systems. For additional information on material specifications, lead-times and pricing for these designs, refer to Sections 2, 3 and 4 of this manual.

- CRP-10 doors, Slab and #10 drawer front designs are available in all four of the standard Cabinet Systems wood species: Cherry, Hard Maple, Red Oak and Soft Maple. Cherry and Red Oak Program doors and drawer fronts are manufactured using Value grade material.
- TW-10 doors have a 1/4" veneer panel. Available in Cherry, Hard Maple or Red Oak only.
- 3/4" Slant raise is standard on CRP-10 Program doors.
- Regular bead is standard on all Program doors.
- Six program edge profiles available: B-2, C, C-2, LC-2, Machine Edge and PRS-2.
  - ◆ B-2, LC-2, Machine Edge and PRS-2 are eligible for concealed hinge boring.
- Cabinet Systems Program doors and drawer fronts purchased separately from Cabinet Systems must be ordered and priced as custom. These designs will be subject to custom lead-times and pricing.
- 1/4", 1/2", 1-1/4" and 1-3/8" overlays and inset are available in all Program species.
- When 1-1/4" or 1-3/8" overlay is ordered, extended stiles or loose filler strips may be required in applications where cabinets are installed next to a wall or tall cabinets. The necessity for extended stiles or loose filler strips is determined by the type of hinge used. Corner cabinets are provided with special hinging.
- Two panel doors have the option of two different panel designs within the same door. If not specified, both panels will match the base cabinet doors, except on tall cabinets where the top door is a two panel door. In these instances, the top panel will match the designs on wall cabinets.
- Available options for Cabinet Systems Program doors include finishing, cross grain removal sanding and boring for concealed hinges. Refer to the Custom Product Manual for pricing and specification details.
- All butt door cabinet doors receive an edge profile on all four sides and have a 1/8" gap between doors. Butt doors with a C edge profile are paired and lipped on three sides with a C-2 profile on the fourth side.
- See diagrams in this section for overlay reveal specifications.

## Overlay Diagrams (w/center stile)



## Inset Door and Drawer Information

- Front frames ordered with inset doors and drawer fronts will be pre-fit to the opening size. A 3/32" margin will be used on all sides for single doors and drawer fronts and between butt door pairs.
- Inset doors and drawer fronts are not subject to Program door pricing and will be priced as Custom doors.
- The following edge profile options are recommended for use with inset doors and drawer fronts. These edges have a 5 degree back bevel edge to ensure sufficient door clearance. Machine Edge is available upon request at no additional upcharge.

### Standard Lip Options



L-253



L-686

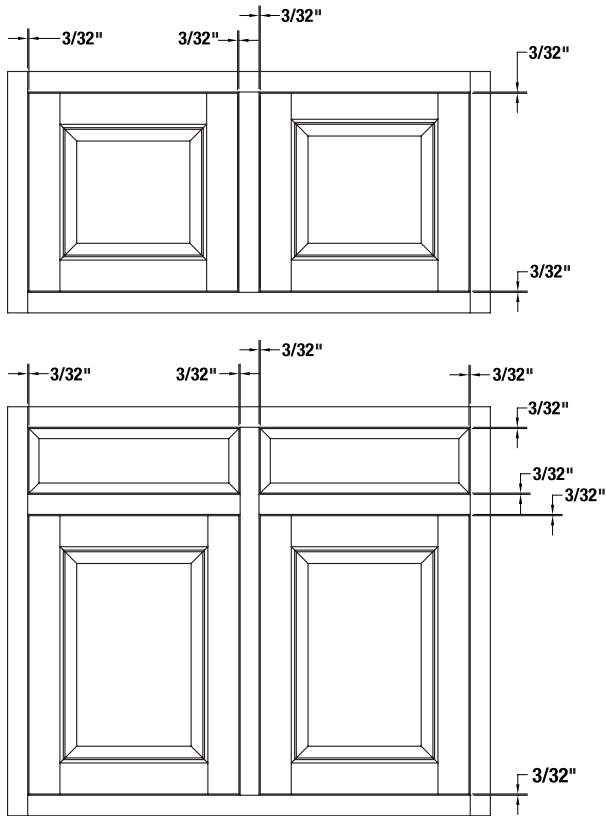
### Design Exceptions

- The following door and drawer front styles are not available due to their unique design characteristics: 1-1/8" Sandwich drawer front, #10 drawer front, 10141 drawer front, Alexandria, Aspen, Astoria, Aurora, Boulder, Brighton, CRP-1420, CRP-10191, CRP-10318, CRP10334, CRP-10827, CRP10875, CRP-10946, Fairhaven, Fargo, Hastings, Keystone drawer front, LaSalle, Marcel drawer front, Omaha, Prestige, Rothbury, Rothsford, Savoy, Topeka, TW-10827, TW-10875, Wellston and Woodridge.
- Alternative Material doors and drawer fronts are not available for inset applications including Allure DLV, Intrigue TTS, Strata TTS, Vogue TTS, Synchronicity High Gloss and Super Matte products, and Aluminum Frame doors.
- The following standard edge profile options are available for inset applications: L-253 and L-686. Premium edge profiles: L-304 and L-996 upcharge applies.
- Front frame openings with trimmable inserts are not available beaded.
- Inset and beaded front frames that are ordered with Colourtones and glazes will receive the same hand glazed finishes as doors. Case parts will not receive a hand wiped glaze. Cabinet Systems parts that are ordered with select Colourtone and glaze combinations will be finished with Colourtones that have been tinted to match one of the select Colourtone and glaze combination\*. Some options, such as Heirloom and Brushed glazes that are available on inset and beaded front frames are not available on Cabinet Systems case parts.
- **Miter/Inset Combination Not Recommended.** Miter doors and drawer fronts are not recommended for inset applications for the following reasons:
  - ♦ **Miter joint lines may not intersect door corner after pre-fit sanding.** Not considered a defect by Conestoga, this condition may not be visually pleasing to some customers.
  - ♦ **Panel expansion caused by high humidity may cause miter doors to bind inside frame openings.** Although Conestoga's miter door joint construction is one of the industry's most durable, high humidity will cause panel expansion. The resulting pressure can push the mitered door framing outward and bind against the front frame.
  - ♦ If a miter design is necessary, Conestoga recommends specifying a plywood or MDF center panel. To reduce expansion see applicable specifications in the Custom Products Manual.
  - ♦ For complete inset and beaded front frame information see the Specialty Products Section in the Custom Product Manual.

\*See Section 12 Finishing Program for select Colourtone and glaze combinations.

## Inset Door Diagram (w/center stile)

---



# Program Door and Drawer Front Designs

<b>CRP-10</b>	<b>TW-10</b>	<b>Slab</b>	<b>#10</b>
<p>\$13.10-B            Min: 7-1/2" x 7-1/2"            2-5/16" framing            Slant raise shown</p>	<p>\$10.90-A            Min: 7" x 5"            2-5/16" framing            1/4" Veneered Panel</p>	<p>\$5.05-B            1-1/2" x 2-1/2"            Any edge profile            3/4" or 1"</p>	<p>\$5.30-B            3" x 3"            Matches Slant raise            3/4" or 1" slab</p>

Framing width on Program door designs is 2-5/16" measured across the back of the framing.  
 Profile cross section for reference only. Minimums listed are based on raise shown. Minimums will vary depending on the overlay and cabinet width selection.

Edge Profile Options	
<b>B-2*</b>	<b>C</b> - 3/4" thick only Rabbit: 7/16" deep 3/8" high
<b>C-2</b>	<b>LC-2*</b>
<b>Machine Edge*</b>	<b>PRS-2*</b>

Framing Bead and Raise Profile	
<b>Regular</b>	<b>Slant Raise</b>

Images shown are not to scale.  
 \*Drilling for concealed hinges is available on doors with these profiles.