

Custom Dovetail Drawer Boxes

- Conestoga's Drawer Box program offers multiple wood specie selections and custom options. Information about dovetail drawer boxes and related options are found on the following pages.
- Dovetail drawer boxes are fully assembled; Hard Maple, Soft Maple and Walnut can be ordered unfinished or finished; Natural Birch drawer boxes are only available finished. See finishing information contained in this section.
- Natural Birch, Hard Maple, Soft Maple and Walnut drawer box options and accessories have a 7 day standard lead-time, and a 2 day Code Red expedite lead-time; add 2 days for finishing. All other non-published drawer box species, add 5 additional days.

Custom Dovetail Drawer Box Specifications

The following species are available for the 5/8" Custom Dovetail Drawer Box program:

- Hard Maple and Soft Maple boxes are constructed with solid Maple sides, fronts and backs and 1/4" or 3/8" thick Maple veneer (wood composite core) bottom.
- Natural Birch drawer boxes are constructed with solid Birch sides, fronts, backs and 1/4" or 3/8" thick Birch veneer face and sound back plywood bottom.
- Walnut boxes are constructed with solid Walnut sides, fronts, backs and Walnut 1/4" or 3/8" thick veneer plywood bottom.
- Two finishing options are available with custom drawer boxes.
 - ◆ Standard finish on all program species is a durable, low emission UV topcoat.
 - ◆ Hand sprayed, catalyzed conversion varnish is available at an additional upcharge on Hard Maple, Soft Maple and Walnut drawer boxes.
- Both finish options have a 15° sheen topcoat. See Additional Options and Pricing Chart.
- Natural Birch drawer boxes are also available with unsanded/unfinished dovetails as a cost savings. Sides, backs and bottoms have a clear UV finish. Unfinished dovetails not available on Hard Maple, Soft Maple or Walnut when finishing option is selected.

To determine the list price of a Dovetail Drawer Box:

- Multiply the perimeter of the box in linear inches (2 x [width + depth]) by the appropriate height/specie price.
- Add the mandatory assembly charge per box. All drawer boxes are assembled.
- Add the price of all selected options.
- A minimum of 50 linear inches applies.

Pricing Example:

Hard Maple 4" high x 12" wide x 21-1/2" deep, assembled, finished, 1/4" bottom, undermount notching

Dovetail Drawer Box Size Parameters			
Description	Minimum	Maximum	Increments
Height	2"	12"	1/2"*
Width	3"	46"	1/16"
Depth	3"	31"	1/16"

*1/8" added to accommodate 3/8" bottoms.

Dovetail Drawer Box Pricing

Drawer Box Height, 1/4" Bottom						
Specie	2" – 3"	3-1/2" – 4"	4-1/2" – 6"	6-1/2" – 8"	8-1/2" – 10"	10-1/2" – 12"
Natural Birch, unfinished dovetails						
Natural Birch						
Maple, Hard						
Maple, Soft						
Walnut						

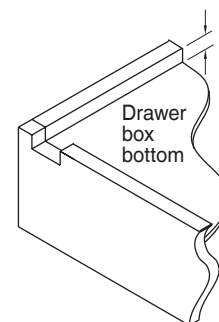
Drawer Box Height, 3/8" Bottom 1/8" added to accommodate 3/8" bottoms						
Specie	2-1/8" – 3-1/8"	3-5/8" – 4-1/8"	4-5/8" – 6-1/8"	6-5/8" – 8-1/8"	8-5/8" – 10-1/8"	10-5/8" – 12-1/8"
Natural Birch*						
Maple, Hard						
Maple, Soft*						
Walnut						

*Natural Birch and Soft Maple 3/8" drawer box bottoms utilize Hard Maple veneer with composite core.

Mandatory Assembly Fee	Standard for all sizes		
Additional Options and Pricing			
Bottom Thickness			
1/4"	Standard	See drawer box height charts for pricing	
3/8"	Requires 1/8" to be added to the drawer box height		
No Bottom	Optional	No Upcharge	
Bottom Reveal			
1/2"	Standard	No Upcharge	
3/8"	Optional		
Finishing Options (clear topcoat only, per box)			
Standard UV finish			
100 linear inches or fewer per box			
Greater than 100 linear inches per box			
Hand spray finish (pricing per box in addition to standard finishing charges)			
Top Edge Profiles (unfinished dovetail option not available)			
Standard eased edge 1/16" Radius No upcharge	Eased edge front and back bull-nosed sided	Machine edge four sides	1/8" Routed edge All except outside front edge

Reveal Detail

Reveal: 1/2" or 3/8"



Dovetail Drawer Box Options



Custom Logo – Laser Engraving

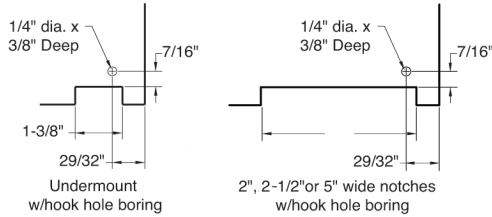
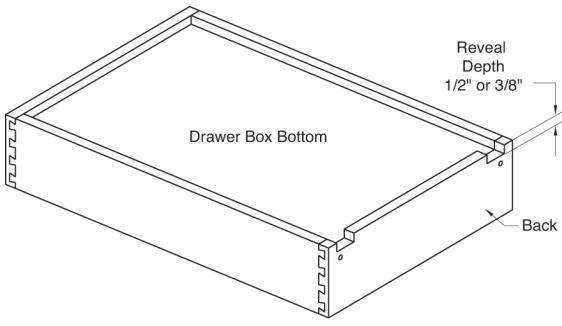
- All Laser Engraved logos will be located on the interior upper left front corner of the drawer box. Custom locations not available.
- A minimum drawer box height of 3” is required for the Laser Engraving option. Drawer boxes with modified side heights are not eligible for the Laser Engraving option.
- Custom Logo Laser Engraving is available in two resolutions:
 - Standard resolution produces a detailed engraved image:
 - Enhanced resolution products a deeper, darker engraved image.
- Customers must supply a digital image of their logo. The file/image provided will significantly impact the quality of the engraved logo. The digital image must be provided in one of the following file formats:
 - Adobe Illustrator (.AI)
 - Scalable Vector Graphic (.SVG)
 - Encapsulated Post Script (.EPS)
- Upon receipt of an acceptable logo file, Conestoga will produce samples of both the Standard and Enhanced versions of the logo on the eligible specie or species of your choice. These samples will be shipped to the customer for review to select the preferred version.
- Upon receipt of the signed Approval Form indicating the preferred resolution, Conestoga will program our system to default to the customer selected resolution. This resolution will automatically be designated each time the Laser Engraved Logo option is ordered.



Private Label Logo Burn

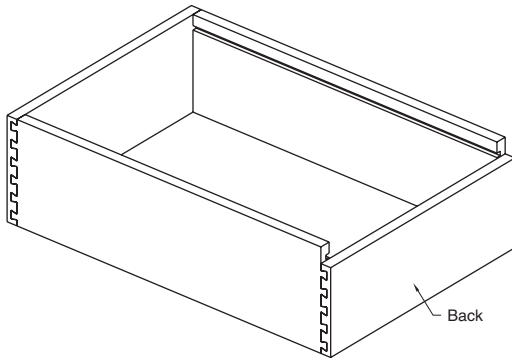
- The Private Label Logo Burn is the approved customer logo branded into the wood drawer side.
- The Logo Burn will be located on the interior upper left front corner of the drawer box. Custom locations not available.
- A minimum drawer box height of 3” is required for the Logo Burn option. Drawer boxes with modified side heights are not eligible for the Private Label Logo Burn option.
- The Private Label Logo Burn is priced at \$.90 list per drawer box.
- To initiate the creation of a brand with your company logo, contact your Conestoga Sales Representative or Customer Service for instructions.

Dovetail Drawer Box Options



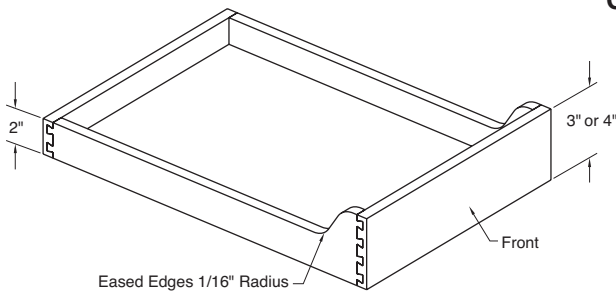
Undermount Notching Options

- 1-3/8" undermount notching only.
- 1-3/8" undermount notching with hook hole boring (detail shown).
- 2" wide undermount notching only.
- 2" wide undermount notching with hook hole boring (detail shown).
- 2-1/2" wide undermount notching only.
- 2-1/2" wide undermount notching with hook hole boring (detail shown).
- 5" wide undermount notching with hook hole boring (included standard).
- Minimum drawer box widths:
 - ◆ 1-3/8" and 2" notch: 6".
 - ◆ 2-1/2" and 5" notch: 11-1/4".



Bread Box Top Routing

- Designed for 1/8" or 1/4" thick lids.
- 9/32" deep groove on sides only.
- 1/8" rout is 5/32" wide.
- 1/4" rout is 9/32" wide.
- Minimum box height 4".
- **Lid not included.**



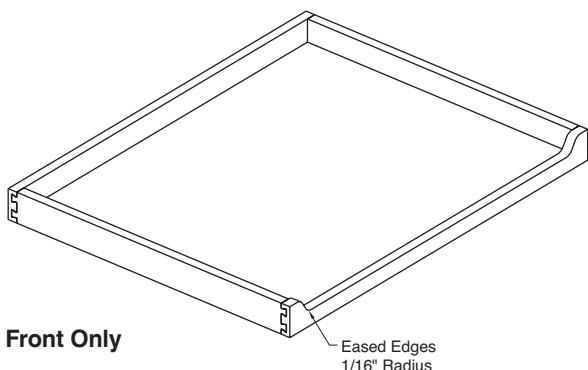
Cut-Down Sides

- Available for 3", 4" or 6" high drawer boxes only.
- Add 1/8" to box height dimensions when ordering 3/8" bottoms.
- Rear box height 2".
- Unfinished dovetails not available.

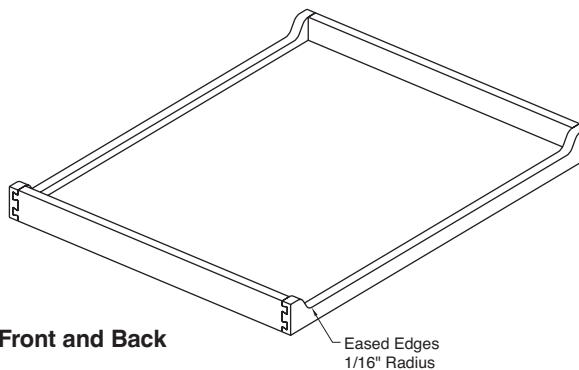
Dovetail Drawer Box Options (continued)

Keyboard Tray Option Front Only Front and Back

- Minimum box width 12".
- Minimum box height 2".
- Maximum box height 3-1/8".
- Unfinished dovetails not available.



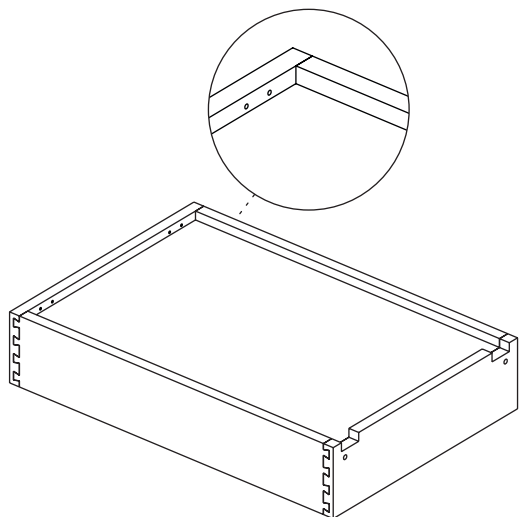
Front Only



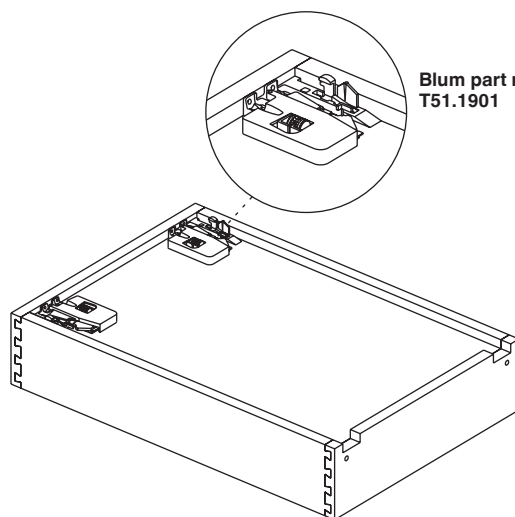
Front and Back

Blum TANDEM Clip Options Pre-drilling Installed TANDEM Clips

- Pre-drilling and installation options are for Blum TANDEM drawer hardware.
- Pre-drilled pilot holes are drilled at the proper angle and spacing to accept TANDEM clips.
- Minimum box width 5-1/2".
- 1/2" bottom reveal only.
- Undermount notching with hook hole boring are an option and must be specified.
- Blum TANDEM Clips feature side-to-side, height and depth adjustment for fine tuning drawer front alignment. Loose clips not available.



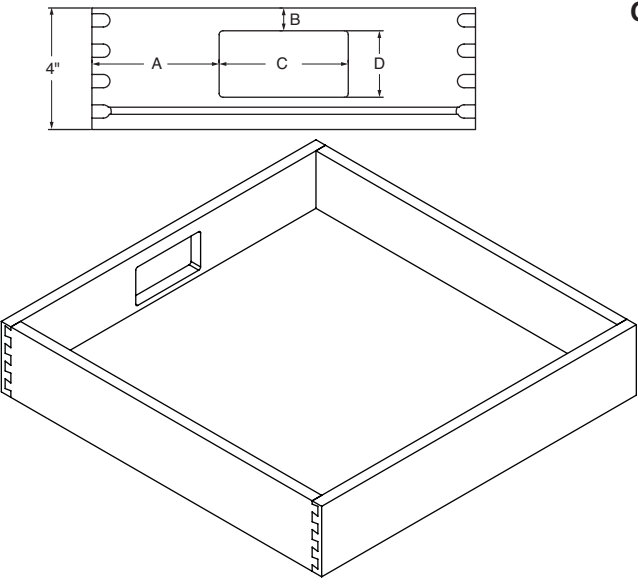
Blum TANDEM Clips Pre-drilled



Blum TANDEM Clips Installed

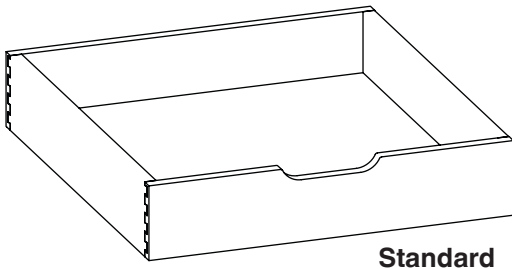
Blum part number
T51.1901

Dovetail Drawer Box Options (continued)



Charging Station Rout

- Customizable rout is designed to accommodate charging station and drawer mounted receptacle devices (rout only – charging device not included).
- Rout is always in the back of the drawer box; no options.
- Minimum drawer box width is 12", minimum box height is 4".
- Must specify A, B, C and D dimensions. Use Form #6-A – Specialty Drawer Box Order Form.
- Charging rout can be centered or off-set from either side.
- Minimum dimensions for Charging Station Rout:
 - ◆ Dimension A is 1".
 - ◆ Dimension B is 1/2".
 - ◆ Dimension C is Drawer Box width minus 2".
 - ◆ Dimension D is Drawer Box height minus 1-1/2".
- Not available with unfinished dovetail option.



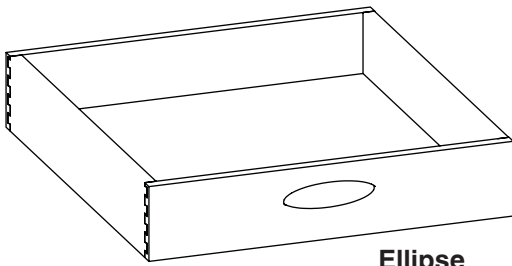
Standard

Hand Pull

- All hand pulls are centered on front of drawer box.
- Unfinished dovetails not available with hand pulls.

Standard:

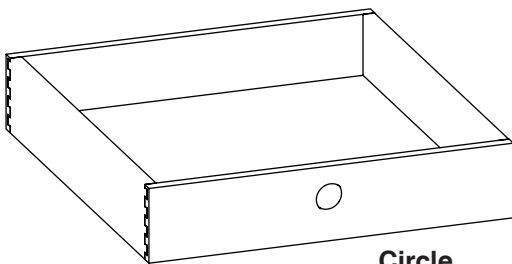
- Minimum box width is 8".
- Hand pull is 5-1/4" wide and 11/16" high, centered on the front of the drawer box.



Ellipse

Ellipse:

- Minimum box width is 9".
- Hand pull is 5" wide, 1-1/2" high, and located 1" below the top edge of the drawer box.



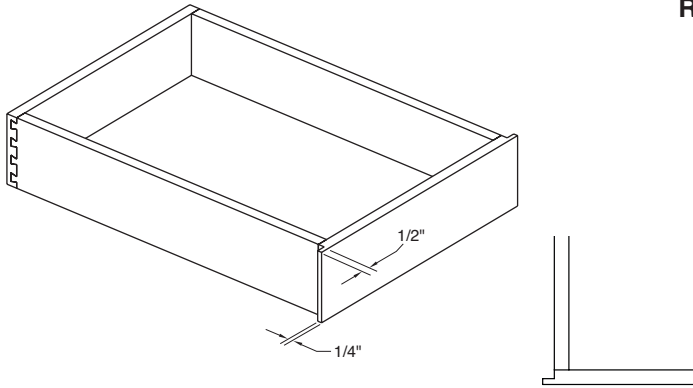
Circle

Circle:

- Minimum box width is 5-3/4".
- Hand pull is 1-1/2" diameter and located 1" below the top edge of the drawer box.

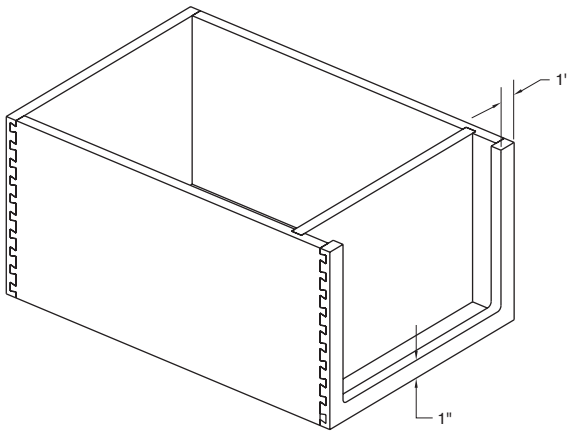
Dovetail Drawer Box Options (continued)

Roll Out Drawer Front Option



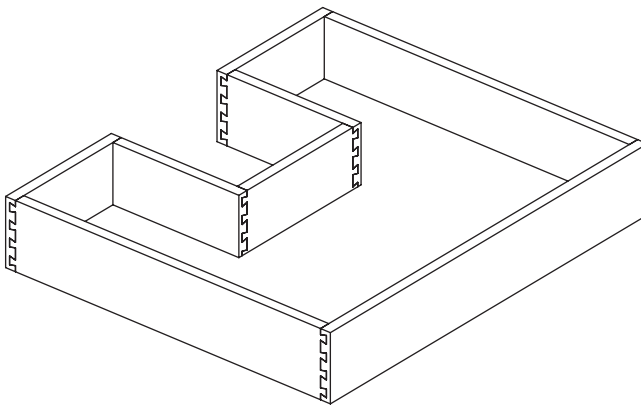
- Drawer box front is 1" wider than the overall ordered box width.
- Minimum box width is 8".

Visible Storage Unit Routing

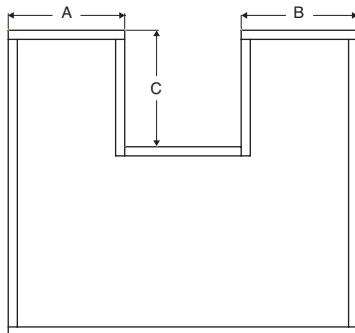


- Minimum box width is 12".
- Maximum box width is 24".
- Minimum box height is 7".
- Removable divider included. Located 1-1/2" behind front of drawer box.

Back Recessed Option



- Minimum drawer box width is 12".
- Minimum depth is 8-1/4".
- Must specify A, B and C dimensions.
- Recess can be centered or off-set from either side.
 - ♦ Minimum dimension for A and B is 4".
 - ♦ Minimum dimension for C is 3-5/8".

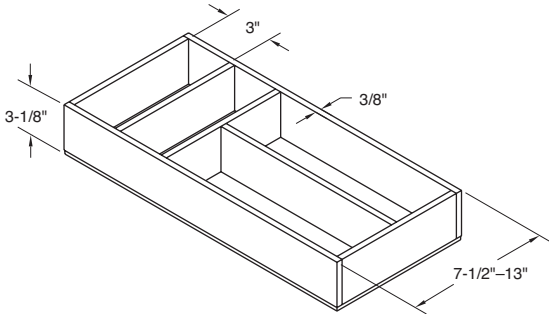


Custom Drawer Accessories

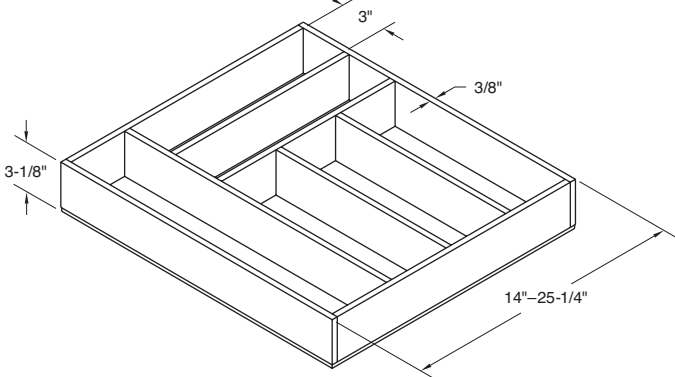
Cutlery Dividers

- Available in Hard Maple, Natural Birch and Walnut.
- All cutlery divider designs are constructed with a 1/4" bottom unless "No Bottom" is specified.
- When ordering specify design A, B, C, D, E, F, G or H.
- Specify depth and width in 1/16" increments. Both dimensions are measured from outside edge to outside edge.
- Depth for all designs must be between 16" to 22". Refer to specific design for width range.
- When ordered with a drawer box, cutlery dividers are sized 1-5/16" less than the exterior width and depth of the overall drawer box size.
- To order a custom size cutlery divider, specify the depth, width and design as a separate line item on the order form.
- Standard height is 3-1/8". Height modifications available; see following pages for options and pricing.
- Finishing Option charge

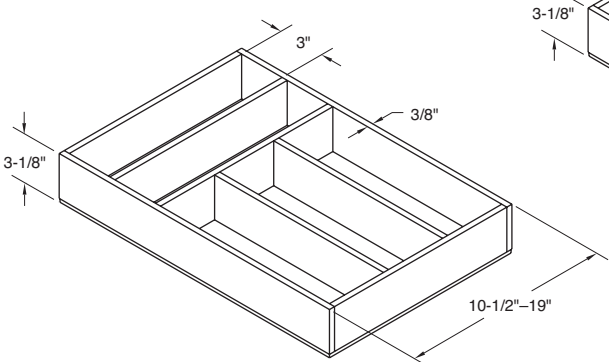
Design A:
Natural Birch
Hard Maple
Walnut



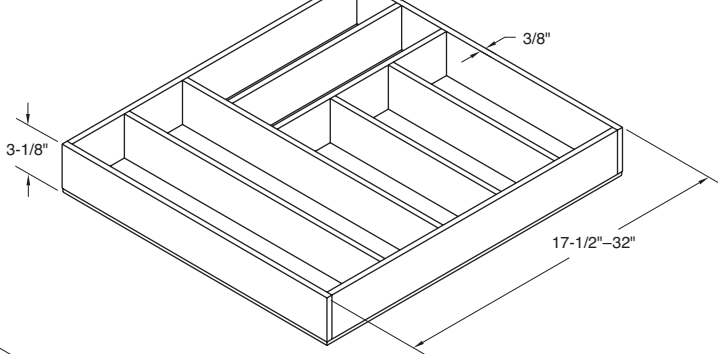
Design C:
Natural Birch
Hard Maple
Walnut



Design B:
Natural Birch
Hard Maple
Walnut



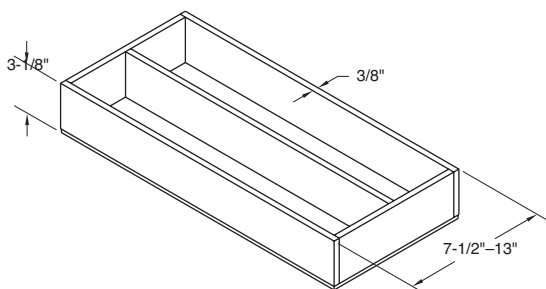
Design D:
Natural Birch
Hard Maple
Walnut



Custom Drawer Accessories (continued)

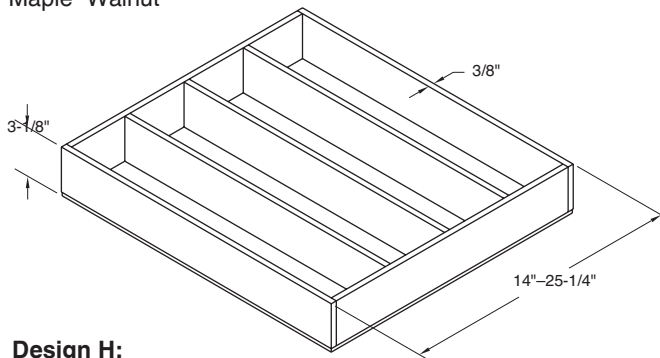
Design E:

Natural Birch Hard
Maple Walnut



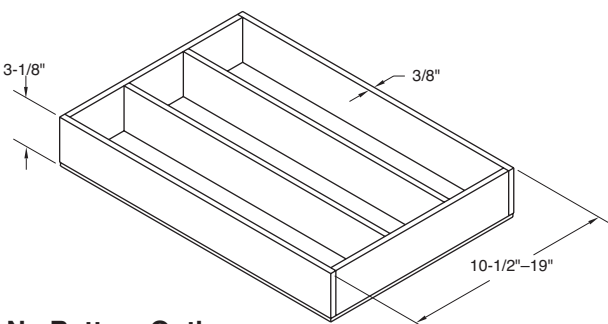
Design G:

Natural Birch Hard
Maple Walnut



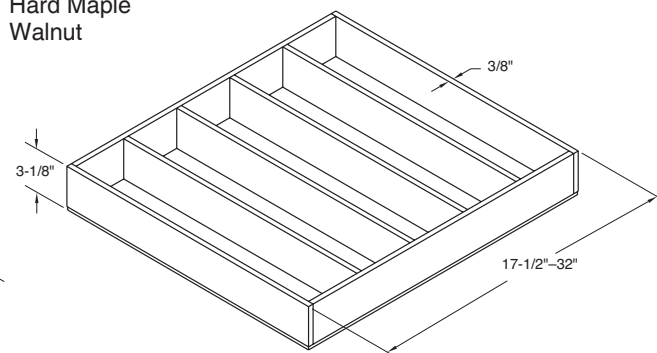
Design F:

Natural Birch Hard
Maple Walnut



Design H:

Natural Birch
Hard Maple
Walnut

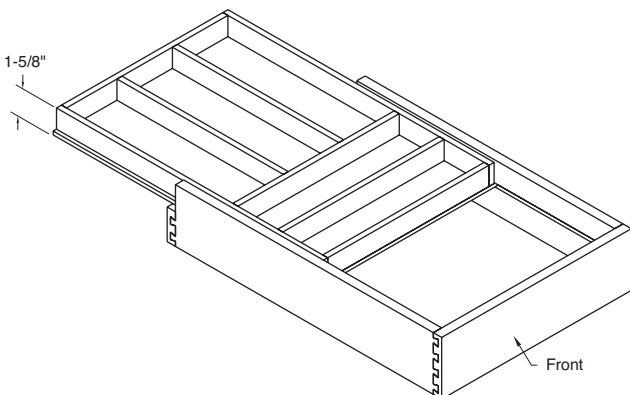


No Bottom Option

- No upcharge.
 - ◆ All cutlery divider designs are constructed with a 1/4" bottom unless "NO BOTTOM" is specified.
 - ◆ Maximum height of cutlery dividers with no bottom is 2-7/8".

Reduced Height Option

- ◆ All divider designs can be reduced in height for specialty applications.
- ◆ Specify divider height when ordering.
- ◆ Minimum divider height with bottom is 1-5/8".
- ◆ Minimum divider height without bottom is 1-3/8".



Sliding Cutlery Divider

- Divider Design Charge.
 - ◆ Available with all divider configurations; specify design when ordering.
 - ◆ Top divider is 1-3/8" high mounted on a 1/4" base.
 - ◆ Minimum overall drawer box height is 3-15/16".
 - ◆ Recommended maximum drawer box width is 24" to ensure proper operation.

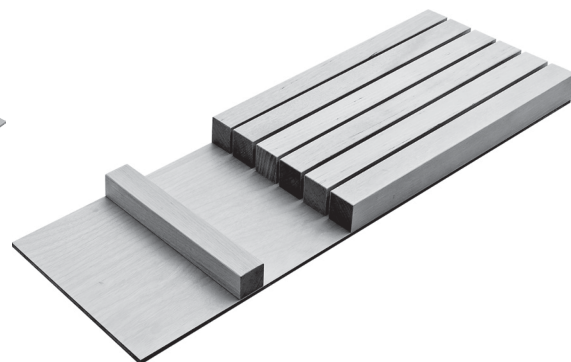
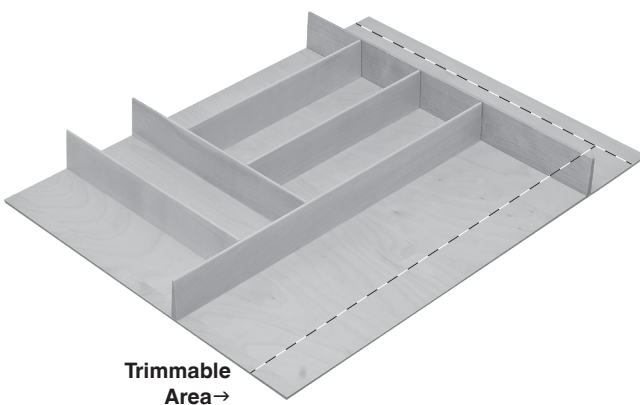
Custom Drawer Accessories (continued)



Fineline Cutlery Dividers

- Unique, tapered divider design affords sturdy compartment divisions with pleasing minimal profile.
- Available in Natural Birch or Walnut with a clear finish.
- Unit size prior to trimming is 1-15/16" high x 20-13/16" long. Standard widths shown in the pricing chart below.
- Base plate is designed to be trimmed to fit the interior dimensions of a specific drawer box.
- Each unit includes a trimmable depth extender for a truly custom fit and maximum storage.
- Optional knife block can be incorporated into cutlery units for maximum utensil storage.
 - ◆ Knife block measures 5-7/16" wide x 16-11/16" deep and accommodates 5 pieces of cutlery.
- **Cut-to-Size Option**
 - ◆ All Fineline dividers can be cut to fit inside a drawer box. Specify interior dimensions of drawer box.
 - ◆ Dividers will be packaged independently of the drawer box.
 - ◆ Cut-to-Size Option: list per kit.

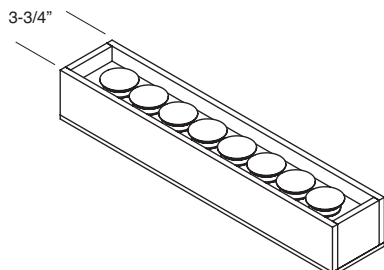
Part No.	Description
556.87.601	Fineline Cutlery Insert – Walnut – 15-9/16" wide
556.87.602	Fineline Cutlery Insert – Walnut – 21-9/16" wide
556.87.603	Fineline Cutlery Insert – Walnut – 27-5/8" wide
556.87.604	Fineline Cutlery Insert – Walnut – 33-9/16" wide
556.87.901	Fineline Cutlery Insert – Birch – 15-9/16" wide
556.87.902	Fineline Cutlery Insert – Birch – 21-9/16" wide
556.87.903	Fineline Cutlery Insert – Birch – 27-5/8" wide
556.87.904	Fineline Cutlery Insert – Birch – 33-9/16" wide
Part No.	Description
556.91.640	Fineline Knife Block – Walnut – 5-7/16" wide x 16-11/16" long
556.91.940	Fineline Knife Block – Birch – 5-7/16" wide x 16-11/16" long



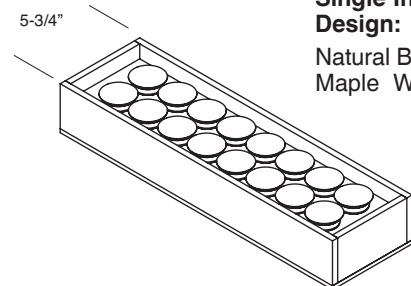
**Please refer to pricing through Con-Nex,
our online ordering program**

Custom Drawer Accessories (continued)

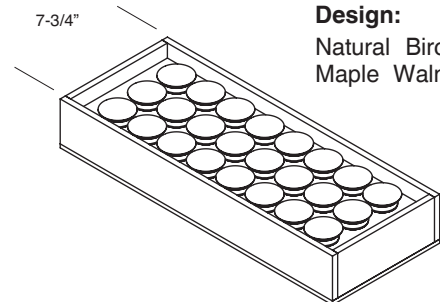
Individual Serving Beverage Pod Drawer Inserts



Single Insert Design:
Natural Birch Hard Maple Walnut



Double Insert Design:
Natural Birch Hard Maple Walnut

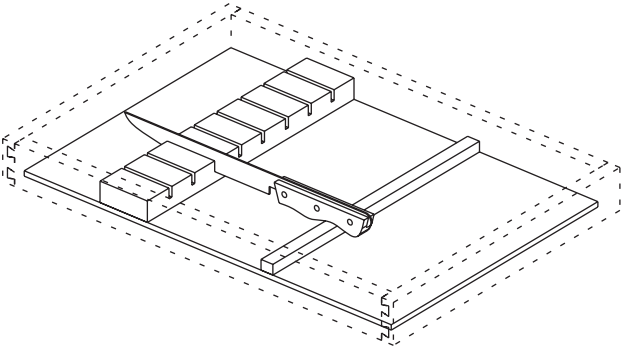


Triple Insert Design:
Natural Birch Hard Maple Walnut

- Available in Hard Maple, Natural Birch and Walnut.
- All inserts are constructed using 3/8" sides and ends, 1/4" bottom and 5/8" top storage panel.
- Height is 3-1/8". Width is fixed by design – no customization.
- Depth on all inserts is customizable between 16" and 22" in 1/16" increments.
- When ordered with a drawer box, inserts are sized 1-5/16" less than the exterior width and depth of the overall drawer box size.
- Inserts can be combined with any cutlery divider design to fully utilize entire drawer width. When this treatment is desired, specify the insert design as well as the divider design.
- Finishing Option charge.

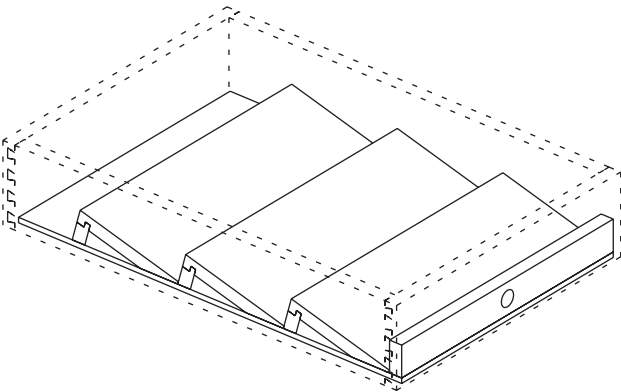
Custom Drawer Accessories (continued)

Knife Block Insert Natural Birch



- Can be sized to fit a specific drawer box or ordered separately. If ordering separately, specify width and depth.
- Knife block and handle rest are unfinished mounted on a prefinished 1/4" bottom.
- Spacing is 1-1/4" between slots.
- Minimum insert: 7-1/2" wide x 16" deep.
- Maximum insert: 21" wide x 22" deep.

Spice Tray Insert

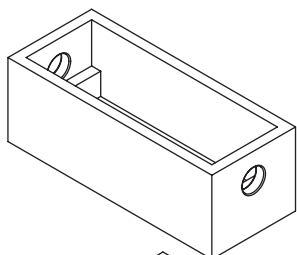


- Can be sized to fit a specific drawer box or ordered separately. If ordering separately, specify width and depth.
- 3/4" diameter finger hole centered on lead rail for ease of removal from drawer box.
- Spice rests are 5-1/4" wide, 1-1/2" high, mounted on a prefinished 1/4" bottom.
- Minimum insert: 7-1/2" wide x 17" deep.
- Maximum insert: 32" wide x 22" deep.

Spice Tray Insert Width			
Specie	7-1/2" – 15"	15-1/16" – 23"	23-1/16" – 32"
Natural Birch			
Maple, Hard			
Walnut			

Custom Drawer Accessories (continued)

Finish Sample Chip Display Boxes



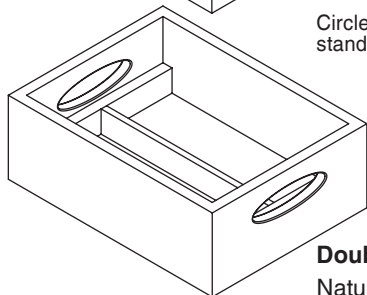
Single Set Design:

Natural Birch

Hard Maple

Walnut

Circle pull front/back standard



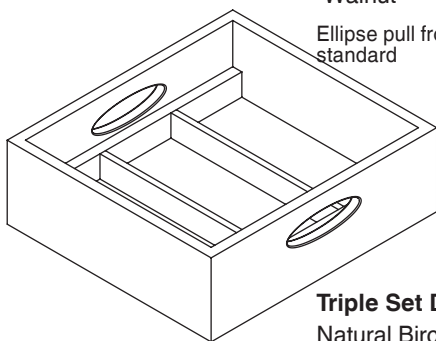
Double Set Design:

Natural Birch

Hard Maple

Walnut

Ellipse pull front/back standard



Triple Set Design:

Natural Birch

Hard Maple

Walnut

Ellipse pull front/back standard

- Dovetailed drawer boxes with hand pulls and interior dividers accommodate Conestoga's standard size sample finish chips (3/8" thick x 4-3/8" wide x 6-1/8" high). Custom box sizing is also available to accommodate custom dimensioned chips.
- Finish sample chip sets must be ordered separately.
- Matching specie wooden spacers are installed in the front and back of each display box to allow easy indexing of samples.
- 5" high boxes standard.
- Sizing for standard Conestoga 26 piece chip sets:
- Single set design: 5" high x 5-3/4" wide x 14" deep.
- Double set design: 5" high x 10-5/8" wide x 14" deep.
- Triple set design: 5" high x 15-1/2" wide x 14" deep.
- To accommodate 32 piece chip sets, depth for all designs should be ordered 16-5/8" deep.
- Sample box price follows drawer box specie per lineal inch Material Charge, assembly and finishing charges plus the Design Charges.
- To order customized Finish Sample Chip Display Boxes, follow these min./max. size guidelines:
- Single set design: min. width 5-3/4", max. width 15", max. depth 21".
- Double set design: min. width 10-5/8", max. width 24", max. depth 21".
- Triple set design: min. width 15-1/2", max. width 31", max. depth 21".

Custom Drawer Accessories (continued)

Non-Slip Drawer Liners



- Non-Slip Drawer Liners keep utensils in place as drawers are opened and closed.
- A non-slip rubber surface is applied to a polystyrene backer to deaden sound and protect drawer bottoms against drips and minor spills.
- The attractive grey fiber pattern goes well with Birch, Maple and Walnut drawer boxes.
- Available in sheet form, is easily trimmed-to-size with a sharp utility knife and straight edge.
- Non-Slip Drawer Liners can be installed in both framed and full access cabinet drawers, including Conestoga's Advantage and Vesta RTA lines.

Part No.	Size (WxD)
547.92.525	46-1/16" x 19-3/4"
547.92.526	46-1/16" x 23-5/8"

Drawer Peg Storage System

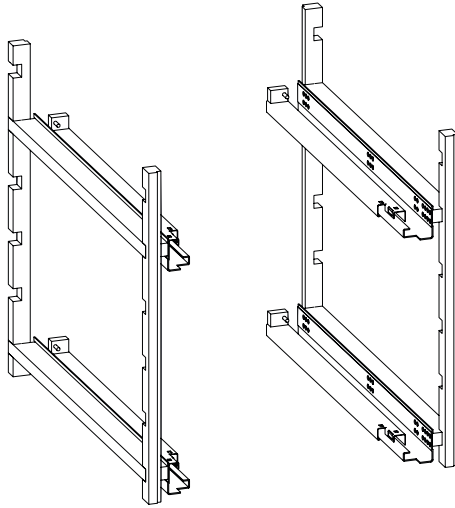


- Drawer Peg Storage Systems are designed to fit into deep drawer boxes to provide flexible storage for stacked dishware.
- Peg Storage Systems include a 5/8" thick Maple or Walnut TSCA compliant plywood base plate with a durable clear polyurethane finish and matching specie 6" high solid wood posts. Number of posts varies by base size.
- Base plates are pre-drilled with patterned holes to accept the press in solid wood posts and can be trimmed to size on a table saw.
- Solid wood pegs can simply be pressed into the desired pre-drilled holes. No fasteners needed.
- Drawer Peg Storage Systems can be installed in both framed and full access cabinet drawers, including Conestoga's Advantage and Vesta RTA lines.

Part No.	Specie	Size (WxHxD)	Posts Per Kit
2103597A	Maple	24-1/4" x 6-5/8" x 21-1/4"	9
2103600A	Walnut	24-1/4" x 6-5/8" x 21-1/4"	9
2103598A	Maple	30-1/4" x 6-5/8" x 21-1/4"	12
2103601A	Walnut	30-1/4" x 6-5/8" x 21-1/4"	12
2103599A	Maple	39-1/4" x 6-5/8" x 21-1/4"	16
2103602A	Walnut	39-1/4" x 6-5/8" x 21-1/4"	16

Please refer to pricing through Con-Nex,
our online ordering program

Cabinet Accessories



Adjustable Pull-Out Tray System Kits

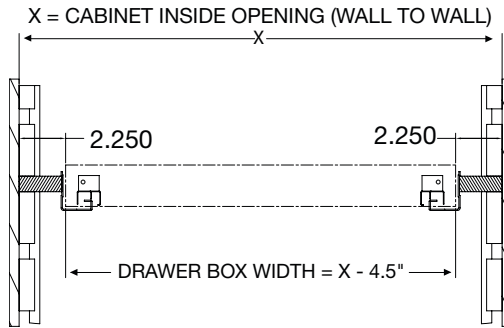
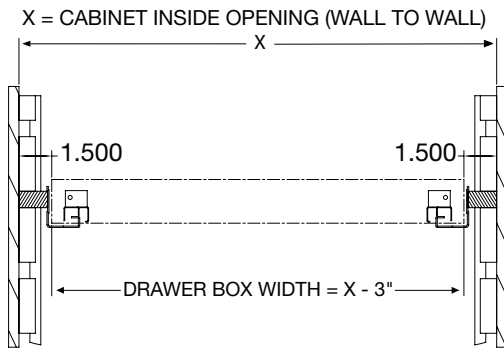
- Adjustable Pull-Out Tray Hardware Systems feature unfinished Hard Maple components and Blum TANDEM Plus BLUMOTION Integrated Soft Close drawer full extension drawer slides. Drawer boxes not included.
- Kits are available for base (24" deep), vanity (21" deep) or tall utility (21" and 24" deep) cabinetry applications. Base and vanity kits include hardware for 2 pull-out trays. Tall kits include hardware for 4 pull-out trays.
- Two cleat widths "A" or "B" (horizontal drawer slide supports) are available to accommodate full access or framed overlay or inset constructed, including Conestoga's Advantage or Vesta RTA lines.
- Vertical corner cleats can be trimmed in height to accommodate adjustable shelves.
- 4-day Standard lead-time, 2-day Code Red expedite lead-time.

Base/Vanity Corner Cleats

4 pieces 3/4" x 1" x 19-1/4" (six positions).

Tall Corner Cleats

4 pieces 3/4" x 1" x 51-3/4" (16 positions).



System Cleat width "A"

For full access and overlay applications.
 Base/Tall: 3/4" x 1-5/16" x 21-15/16".
 Vanity: 3/4" x 1-5/16" x 18-15/16".

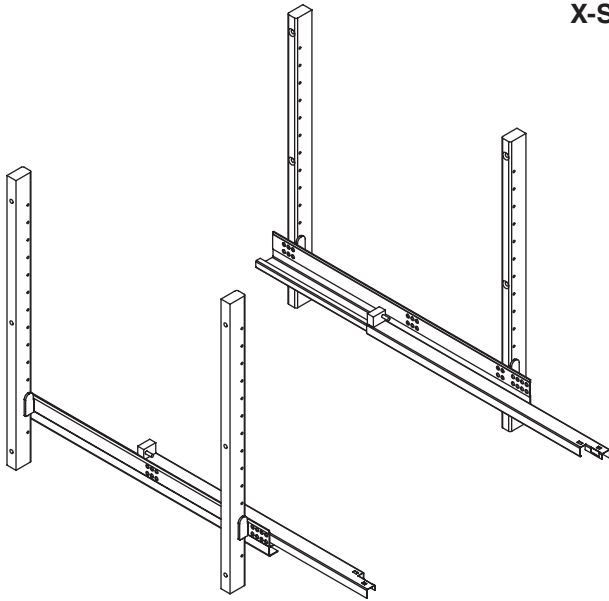
System Cleat width "B"

For framed and inset applications.
 Base/Tall: 3/4" x 2-1/16" x 21-15/16".
 Vanity: 3/4" x 2-1/16" x 18-15/16".

System Kits - Cleat Width "A"		System Kits - Cleat Width "B"	
Kit Number	WxHxD	Kit Number	WxHxD
SYSB24-AA	Base 24" (3/4" x 1-5/16" x 21-15/16")	SYSB24-BA	Base 24" (3/4" x 2-1/16" x 21-15/16")
SYSTB24-AA	Tall 24" (3/4" x 1-5/16" x 21-15/16")	SYSTB24-BA	Tall 24" (3/4" x 2-1/16" x 21-15/16")
SYSV21-AA	Vanity 21" (3/4" x 1-5/16" x 18-15/16")	SYSV21-BA	Vanity 21" (3/4" x 2-1/16" x 18-15/16")
SYSTV21-AA	Tall 21" (3/4" x 1-5/16" x 18-15/16")	SYSTV21-BA	Tall 21" (3/4" x 2-1/16" x 18-15/16")
Single Shelf Kits - Cleat Width "A"		Single Shelf Kits - Cleat Width "B"	
Kit Number	WxHxD	Kit Number	WxHxD
SYSSB24-AA	Base 24" (3/4" x 1-5/16" x 21-15/16")	SYSSB24-BA	Base 24" (3/4" x 2-1/16" x 21-15/16")
SYSSV21-AA	Vanity 21" (3/4" x 1-5/16" x 18-15/16")	SYSSV21-BA	Vanity 21" (3/4" x 2-1/16" x 18-15/16")

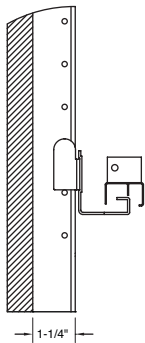
Please refer to pricing through Con-Nex, our online ordering program

Cabinet Accessories (continued)



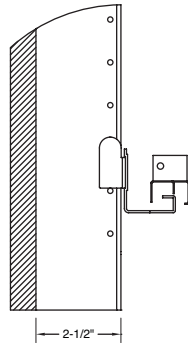
X-Series Adjustable Pull-Out Tray System Kits

- Adjustable Pull-Out Tray Hardware Systems feature clear prefinished Hard Maple components and patented drawer slide installation/adjustment brackets. Drawer slides not included.
- Installation/adjustment clips are designed for Blum TANDEM style undermount drawer slides.
- Pilasters and brackets use 5mm x 32mm spacing.
- Kits are available for base, vanity or tall utility cabinetry applications.
- Two cleat widths are available to accommodate overlay or inset and framed or frameless cabinet construction.
- Pilasters (vertical uprights) can be trimmed in width or height for installation in varied styles of cabinet construction and interior configurations.
- Drawer box width and depth dimensions are based on the requirements of the drawer hardware being used and must be ordered separately.
- 4 day Standard lead-time, 2 day Code Red expedite lead-time.



1-1/4" Pilaster kits with brackets

For frameless and most framed overlay applications.



2-1/2" Pilaster kits with brackets

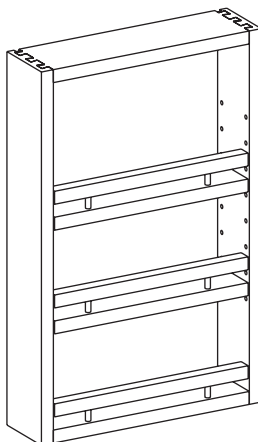
For inset, wide framing and thick door applications.

1-1/4" Pilaster Kits with Brackets		
Kit Number	Description	Cabinet Application
2100160A	20-7/8" Pilasters (4), Brackets (8)	Base with door and drawer
2100161A	28" Pilasters (4), Brackets (8)	Base full height door
2100162A	58-5/8" Pilasters (4), Brackets (20)	Tall Utility
2-1/2" Pilaster Kits with Brackets		
Kit Number	Description	Cabinet Application
2100163A	20-7/8" Pilasters (4), Brackets (8)	Base with door and drawer
2100164A	28" Pilasters (4), Brackets (8)	Base full height door
2100159A	58-5/8" Pilasters (4), Brackets (20)	Tall Utility

Please refer to pricing through Con-Nex, our online ordering program

Cabinet Accessories (continued)

Spice Storage Units



- Dovetail construction with 5/8" thick sides and ends.
- 1/4" plywood back flush with back of unit.
- 32mm line bore shelf support system.
- 5mm locking shelf clips.
- Matching specie retainer rail attached to unit bottom and each adjustable shelf.
- Installation hardware is not included. Additional hinges and adequate installation hardware are required to ensure proper operation.
- Available size range:
 Height: 18" to 36".
 Width: 8" to 21".
 Depth: 3-1/8" fixed.
- Finishing Option charge: per Spice Storage Unit.

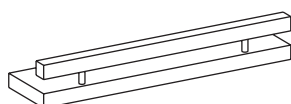
Spice Storage Unit Pricing			
Unit Height	Unit Width		
	8" - 13"	13-1/16" - 17"	17-1/16" - 21"
Natural Birch			
21" - 23"			
23-1/16" - 31"			
31-1/16" - 36"			
Hard Maple			
21" - 23"			
23-1/16" - 31"			
31-1/16" - 36"			
Walnut			
21" - 23"			
23-1/16" - 31"			
31-1/16" - 36"			

Shelves Per Unit	
Unit Height	# Per Unit
18" - 23"	2
23-1/16" - 31"	3
31-1/16" - 36"	4

To determine the list price of an interior storage unit:

- Find the size range of the unit in the applicable specie table. Select the price based on the overall width and height of the unit.
- Add finishing charges if applicable.

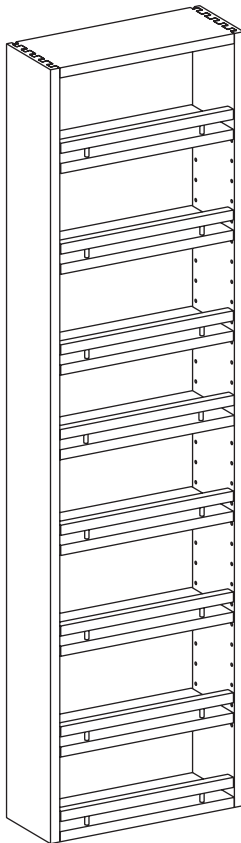
Spice Storage Unit Loose Shelves



Natural Birch: Hard Maple: Walnut:

- Specify spice storage and unit width.
- Finishing is included in price.

Cabinet Accessories (continued)



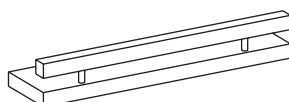
Can Storage Units

- Dovetail construction with 5/8" thick sides and ends.
- 1/4" plywood back flush with back of unit.
- 32mm line bore shelf support system.
- 5mm locking shelf clips.
- Matching specie retainer rail attached to unit bottom, fixed center shelf and each adjustable shelf.
- For structural integrity, units over 39" high have one fixed shelf, centered.
- Installation hardware is not included. Additional hinges and adequate installation hardware are required to ensure proper operation.
- Available size range:
Height: 21" to 60".
Width: 8" to 21".
Depth: 5" fixed.
- Finishing Option charge: per Can Storage Unit.

Can Storage Unit Pricing			
Unit Height	Unit Width		
	8" – 13"	13-1/16" – 17"	17-1/16" – 21"
Natural Birch			
21" – 23"			
23-1/16" – 31"			
31-1/16" – 39"			
39-1/16" – 47"			
47-1/16" – 55"			
55-1/16" – 60"			
Hard Maple			
21" – 23"			
23-1/16" – 31"			
31-1/16" – 39"			
39-1/16" – 47"			
47-1/16" – 55"			
55-1/16" – 60"			
Walnut			
21" – 23"			
23-1/16" – 31"			
31-1/16" – 39"			
39-1/16" – 47"			
47-1/16" – 55"			
55-1/16" – 60"			

Shelves Per Unit	
Unit Height	# Per Unit
21" - 23"	2
23-1/16" – 31"	3
31-1/16" – 39"	4
39-1/16" – 47**	5
47-1/16" – 55**	6
55-1/16" – 60**	7

*Units over 39" include 1 fixed shelf.

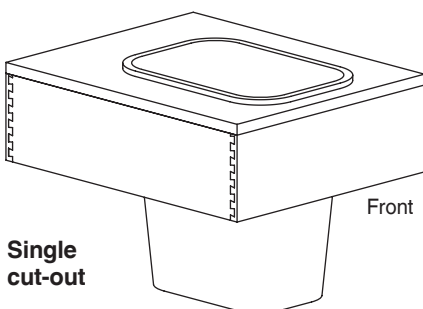


Can Storage Unit Loose Shelves

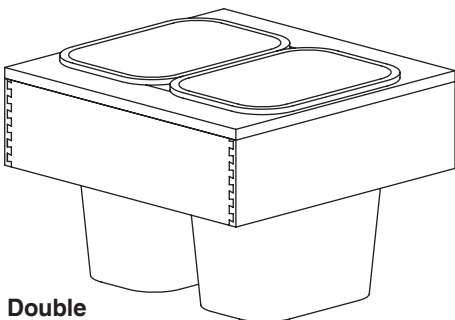
Natural Birch: Hard Maple: Walnut:

- Specify can storage and unit width.
- Finishing is included in price.

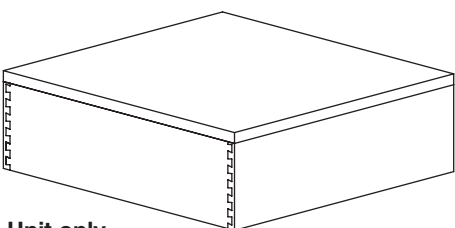
Cabinet Accessories (continued)



Single cut-out



Double cut-out



Unit only, no cut-out

TANDEM Trash Can Pull-Out

- 3/4" Hard Maple plywood top for Hard Maple and Natural Birch units.
- Designed to be used with Blum TANDEM plus BLUMOTION full extension drawer slides and narrow drawer front locking clips (not included).
- Hardware reference numbers:
 - ◆ Blum TANDEM plus BLUMOTION: 563H5330B.
 - ◆ Narrow Drawer Front Locking Clips: T51.0801.20 (L/R).
- Unit with single cut-out includes one 7 gallon grey color waste can; double cut-out includes two waste cans; no cut-out option does not include a waste can.
- Cut-outs also accommodate 13 gallon trash cans.
- Height: 6-3/4" fixed (including 3/4" plywood top).
- Depth: 21-3/4" fixed.
- Finishing: per pull-out.

Single cut-out:

Minimum width: 14-5/8".
Maximum width: 19-1/8".

Double cut-out:

Minimum width: 20-5/8".
Maximum width: 28-1/8".

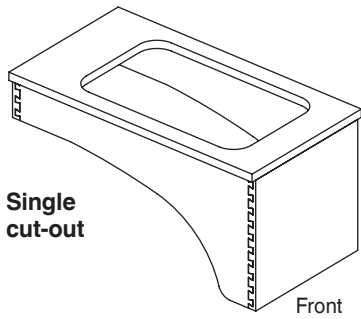
Unit only, no cut-out (solid top shipped loose):

Minimum width: 14-5/8".
Maximum width: 28-1/8".

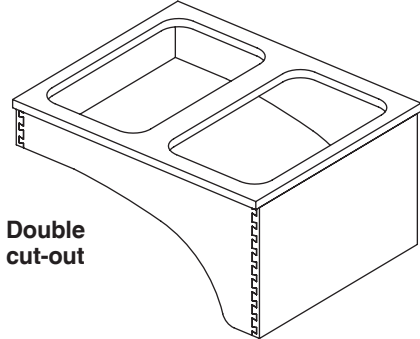
Waste can only. Part #2100102.

TANDEM Trash Can Pull-Out			
Specie	Single Cut-Out	Double Cut-Out	No Cut-Out
Natural Birch			
Maple, Hard			
Walnut			

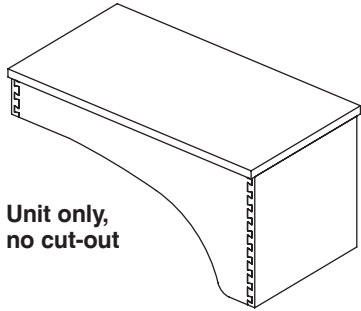
Cabinet Accessories (continued)



Single cut-out



Double cut-out



Unit only, no cut-out

Trash Can Pull-Out

- 3/4" Hard Maple plywood top for Hard Maple and Natural Birch units.
- When ordering Trash Can Pull-Outs, specify the drawer box width. The top will extend 3/8" past the sides of the drawer box.
- Designed to be used with side mount full extension slides – functional hardware not included.
- Unit with single cut-out includes one 7 gallon, grey color waste can; double cut-out includes two waste cans; no cut-out option does not include a waste can.
- Front height is 10" to accommodate door mounting hardware. Rear height is 3".
- Depth: 21-3/4" fixed.
- Finishing: per pull-out.

Single cut-out:

Minimum width: 11".
Maximum width: 21".

Double cut-out:

Minimum width: 15".
Maximum width: 27".

Unit only, no cut-out (solid top shipped loose):

Minimum width: 11".
Maximum width: 27".

Waste can only. Part #2100102A.

Specie	Single Cut-Out	Double Cut-Out	No Cut-Out
Natural Birch			
Maple, Hard			
Walnut			

Cabinet Accessories (continued)



Ready to Install Door Mounted Trash Can Pull-Outs

- Ready to Install Door Bottom Mounted Trash Can Pull-Outs ship fully assembled and include drawer hardware and floor mounting cleats for quick and easy installation.
- Full extension soft close undermount glides with 100 lb. weight capacity.
- Units include white 35 quart or 50 quart trash cans.
- Units with 35 quart cans may be used in base cabinets with a functioning top drawer. Units with 50 quart cans must be used in full height door base cabinets.
- White Birch TSCA compliant plywood construction with a durable UV topcoat.
- Integrated 6-way adjustable door mounting hardware allows for easy installation for all overlays and framing widths.
- Floor mounted units can be easily installed in framed or full access cabinetry, including Conestoga's Advantage and Vesta RTA lines.

Part No.	Size (WxHxD)	Fits Cabinet	Min. Opening
2100836A	Single 35 quart can – 11-5/8" x 19-13/16" x 21-13/32"	15" Base	12"
2100837A	Double 35 quart cans – 14-5/8" x 19-13/16" x 21-13/32"	18" Base	15"
2100838A	Single 50 quart can – 11-5/8" x 24-7/32" x 21-13/32"	15" Base	12"
2100839A	Double 50 quart cans – 14-5/8" x 24-7/32" x 21-13/32"	18" Base	15"
2103646A	Double 35 quart cans – 17-5/8" x 19-13/16" x 21-13/32"	21" Base	18"
2103647A	Double 50 quart cans – 17-5/8" x 24-7/32" x 21-13/32"	21" Base	18"

**Please refer to pricing through Con-Nex,
our online ordering program**

Cabinet Accessories (continued)

Pull-Out Bottom Mount Trash Cans

- Pull-Out Bottom Mount Trash Cans ship fully assembled, ready for installation.
- Single and double trash can units available.
- Base is constructed with a double wall heavy duty steel frame with edgebanded melamine bottom and back.
- Platinum colored base with grey 36 quart trash cans.
- Soft close full extension undermount glides with 110 lb. weight capacity.
- Integrated 6-way adjustable door mounting hardware allows for easy installation for all overlays and framing widths. Door not Included.
- Floor mounted units can be easily installed in both framed and full access cabinetry, including Conestoga's Advantage and Vesta RTA lines.

Part No.	Size (WxHxD)	Fits Cab.	Min. Opening
503.15.821	Single can – 12" x 19-1/4" x 21-13/16"	15" Base	12"
503.15.822	Double – 14-3/4" x 19-1/4" x 21-13/16"	18" Base	14-3/4"


Ready to Install Hinged Door Floor Mounted Trash Can Pull-Outs

- Ready to Install Hinged Door Floor Mounted Trash Can Pull-Outs ship fully assembled and includes drawer hardware and floor mounting cleats for quick and easy installation.
- Soft close full extension undermount glides with 110 lb. weight capacity.
- Units include white 35 quart or 50 quart trash cans.
- Units with 35 quart cans may be used in base cabinets with a functioning top drawer. Units with 50 quart cans must be used in full height door base cabinets.
- White Birch TSCA compliant plywood construction with a durable UV top coat.
- Integrated 6-way adjustable door mounting hardware allows for easy installation for all overlays and framing widths.
- Floor mounted units can be easily installed inside hinged door framed or full access cabinetry, including Conestoga's Advantage and Vesta RTA lines.

Part No.	Size (WxHxD)	Fits Cabinet	Min. Opening
2103648A	Single 35 quart can – 11" x 19-1/2" x 21-3/8"	15" Base	12"
2103649A	Single 50 quart can – 11" x 23-3/4" x 21-3/8"	15" Base	12"
2103650A	Double 35 quart cans – 14" x 19-1/2" x 21-3/8"	18" Base	15"
2103651A	Double 50 quart cans – 14" x 23-3/4" x 21-3/8"	18" Base	15"
2103652A	Double 35 quart cans – 17" x 19-1/2" x 21-3/8"	21" Base	18"
2103653A	Double 50 quart cans – 17" x 23-3/4" x 21-3/8"	21" Base	18"

**Please refer to pricing through Con-Nex,
our online ordering program**

Cabinet Accessories (continued)



Ready to Install Metal Base Trash Can Pull-Outs

- Metal Base Trash Can Pull-Outs ship fully assembled and include an integrated bottom mount assembly for quick and easy installation.
- Soft close full extension undermount glides.
- Polished chrome flat wire, welded construction.
- Grey acrylic liner secures trash cans in place and stops trash from falling onto the cabinet bottom. Liner is removable for ease of cleaning.
- Units include grey 35 quart or 50 quart trash cans.
- Units with 35 quart cans may be used in base cabinets with a functioning top drawer. Units with 50 quart cans must be used in full height door base cabinets.
- Integrated 6-way adjustable door mounting hardware allows for easy installation for all overlays and framing widths. Door not included.
- Floor mounted units can be easily installed in framed or full access cabinetry, including Conestoga's Advantage and Vesta RTA lines.

Part No.	Size (WxHxD)	Fits Cabinet	Min. Opening
2103643A	Single 35 quart can – 12" x 19-13/16" x 21-13/16"	15" Base	12"
2103644A	Double 35 quart cans – 15" x 19-13/16" x 21-13/16"	18" Base	15"
2103645A	Double 50 quart cans – 15" x 23-3/4" x 21-13/16"	18" Base	15"

Ready to Install Base Pull-Outs



- Ready to Install Base Pull-Out units ship fully assembled and include functional hardware and floor mounted cleats for easy installation.
- Designed for use with full height door base cabinets only.
- Soft close full extension undermount glides.
- Can be installed in both framed or frameless and overlay or inset cabinet applications.
- Unique top mount support bracket eliminates excessive side-to-side movement and sagging even when fully extended. 225lb. weight capacity.
- White Birch TSCA compliant plywood construction with a durable, UV topcoat.
- Integrated 6-way adjustable door mounting hardware allows for easy installation for all overlays and framing widths. Door not included.
- Floor mounted units can be easily installed in full height door framed or full access cabinetry, including Conestoga's Advantage and Vesta RTA lines.

Part No.	Size (WxHxD)	Fits Cabinet	Min. Opening
2100832A	5-1/2" x 24" x 22"	9" Base	5-1/2"
2100833A	8-1/2" x 24" x 22"	12" Base	8-1/2"
2100834A	11-1/2" x 24" x 22"	15" Base	11-1/2"
2100835A	14-1/2" x 24" x 22"	18" Base	14-1/2"

Please refer to pricing through Con-Nex, our online ordering program



Base Organizer Pull-Outs with Soft Close

- Base Organizer Pull-Outs with Soft Close ships fully assembled and ready to install.
- Designed for use with full height door base cabinets only.
- Includes two fixed and two adjustable shelves with polish chrome side rails.
- Maple TSCA compliant plywood construction with durable polyurethane topcoat.
- Soft close full extension undermount BLUMOTION glides with 135 lb. weight capacity.
- Adjustable door mounting brackets allow for easy installation and adjustment, regardless of overlay. Door not included.
- Floor mounted units can be easily installed in both framed and full access cabinetry, including Conestoga's Advantage and Vesta RTA lines.

Part No.	Size (WxHxD)	Fits Cabinet	Min. Opening
2100987A	6" x 25-1/2" x 21-5/8"	9" Base	6"
2100988A	8-3/4" x 25-1/2" x 21-5/8"	12" Base	8-1/2"
2100989A	11-3/4" x 25-1/2" x 21-5/8"	15" Base	11-1/2"
2100990A	14-3/4" x 25-1/2" x 21-5/8"	18" Base	14-1/2"

Base Organizer Pull-Outs



- Ready to Install Base Pull-Outs ship fully assembled and ready to install.
- Designed for use in full height door cabinets only.
- Heavy duty top slide eliminates excessive side-to-side movement and sagging, even when fully extended.
- Soft close full extension undermount glides with 100 lb. weight capacity.
- Base Pull-Out units have two fixed and two adjustable shelves with polished chrome siderails.
- Maple TSCA compliant plywood construction with durable polyurethane topcoat.
- Integrated 6-way adjustable door mounting hardware allows for easy installation for all overlays and framing widths. Door not included.
- Floor mounted units can be easily installed in both framed and full access cabinetry, including Conestoga's Advantage and Vesta RTA lines.

Part No.	Size (WxHxD)	Fits Cabinet	Min. Opening
2100771A	5" x 25-1/2" x 22-1/2"	12" Base	5-1/2"
2100772A	8" x 25-1/2" x 22-1/2"	12" Base	8-1/2"
2100773A	11" x 25-1/2" x 22-1/2"	15" Base	11-1/2"

Please refer to pricing through Con-Nex,
our online ordering program

Cabinet Accessories (continued)



Under Drawer Base Pull-Out

- Under Drawer Base Pull-Outs ship fully assembled and include drawer hardware and floor mounting cleats for quick and easy installation.
- Designed for use in base cabinets with functioning top drawer.
- Heavy duty top slide eliminates excessive side-to-side movement and sagging, even when fully extended.
- Soft close full extension undermount glides with 100 lb. weight capacity.
- Under Drawer Base Pull-Out units have two fixed and one adjustable shelf with polished chrome side rails.
- White Birch TSCA compliant plywood construction with durable UV topcoat.
- Integrated 6-way adjustable door mounting hardware allows for easy installation for all overlays and framing widths. Door not included.
- Floor mounted units can be easily installed in both framed and full access cabinetry, including Conestoga's Advantage and Vesta RTA lines.

Part No.	Size (WxHxD)	Fits Cabinet	Min. Opening
2103589A	5-7/16" x 20" x 22"	9" Base	5-1/2"
2103590A	8-7/16" x 20" x 22"	12" Base	8-1/2"

Base Organizer Swivel Pull-Outs



- Base Organizer Swivel Pull-Outs ship fully assembled and ready to install.
- Features two independently swiveling shelves to provide maximum access to stored contents. A built in self centering shelf system ensures proper alignment of shelves for easy closure. Polished chrome side rails keep stored items in place.
- Soft close full extension undermount BLUMOTION drawer glides with 135 lb. weight capacity.
- Maple TSCA compliant plywood construction with durable clear polyurethane finish.
- Adjustable door mounting brackets allow for easy installation and adjustment, regardless of overlay. Door not included.
- Floor mounted units can be easily installed in both framed and full access cabinetry, including Conestoga's Advantage and Vesta RTA lines.



Part No.	Size (WxHxD)	Fits Cabinet	Min. Opening
2101001A	5-3/4" x 25-5/8" x 22-25/32"	9" Base	5-3/4"
2101002A	8-3/4" x 25-5/8" x 22-25/32"	12" Base	8-3/4"

Please refer to pricing through Con-Nex, our online ordering program

Cabinet Accessories (continued)

Base Filler Pull-Outs

- Base Filler Pull-Outs ship fully assembled and ready to install between adjacent cabinets. Base Filler Pull-Outs will not fit inside existing cabinetry.
- An overlay filler is required on face of the unit, not included.
- Base Filler Pull-Out unit includes one fixed and three adjustable shelves with polished chrome side rails to secure stored items.
- Includes full extension ball bearing top and bottom mount glides for stable operation.
- Maple TSCA compliant plywood construction with a durable polyurethane clear topcoat.
- Units can be easily installed between either framed or full access base cabinets, including Conestoga's Advantage and Vesta RTA lines.

Part No.	Description/Dimensions	
	Size (WxHxD)	# Shelves
2100750A	3" x 30" x 23"	4
2100751A	6" x 30" x 23"	4
2100979A	9" x 30" x 23"	4


Base Filler Pull-Outs with Soft Close

- Base Filler Pull-Outs with Soft Close ship fully assembled and ready to install between adjacent cabinets. Units will not fit inside existing cabinetry.
- Overlay filler required on face of unit - not included.
- Base Filler Pull-Outs with Soft Close includes one fixed and three adjustable shelves with polished chrome side rails.
- Soft close full extension undermount glides with 75 lb. weight capacity.
- Maple TSCA compliant plywood construction with durable polyurethane topcoat.
- Units can be easily installed between either framed or full access base cabinets, including Conestoga's Advantage and Vesta RTA lines.

Part No.	Size (WxDxH)	# Shelves
2100980A	3" x 30" x 23"	4
2100981A	6" x 30" x 23"	4
2100982A	9" x 30" x 23"	4

Please refer to pricing through Con-Nex,
our online ordering program

Cabinet Accessories (continued)



Ready to Install Base Filler Pull-Outs

- Ready to Install Base Filler Pull-Out units ship as a fully assembled cabinet and is designed to mount between adjacent cabinets. Will not fit inside base cabinets.
- Features a top-mounting bracket to eliminate side-to-side movement and sagging, even when fully extended.
- An overlay filler is required on the face of this unit, not included.
- Soft close full extension undermount glides with 100 lb. weight capacity.
- Includes two fixed and two adjustable storage shelves with polished chrome side rails.
- White Birch TSCA compliant plywood construction with a durable UV topcoat.
- Integrated 6-way adjustable door mounting hardware allows for easy installation.
- Can be easily mounted between framed or full access cabinetry, including Conestoga's Advantage and Vesta RTA lines.

Part No.	Size (WxHxD)	# Shelves
2103641A	3-1/2" x 30" x 23"	4
2103642A	6-1/2" x 30" x 23"	4



Ready to Install Magnetic Knife Organizer Pull-Outs

- Magnetic Knife Organizer Pull-Outs ship fully assembled and include drawer hardware and floor mounting cleats for quick and easy installation.
- Features a top-mounting bracket to eliminate excessive side-to-side movement and sagging, even when fully extended.
- Soft close full extension undermount glides with 100 lb. weight capacity.
- Double sided magnetic bar protects knife blades while maximizing cabinet storage. Accommodates cutlery up to 15" in length. Additional shorter knife storage in rear receptacle.
- Each Magnetic Knife Organizer comes with a dishwasher safe plastic cutting board.
- White Birch TSCA compliant plywood construction with a durable UV topcoat.
- Integrated 6-way adjustable door mounting hardware allows for easy installation for all overlays and framing widths. Door not included.
- Can be installed in both framed and full access cabinetry, including Conestoga's Advantage and Vesta RTA lines.

Part No.	Size (WxDxH)	Fits Cabinet	Min. Opening
2103638A	5" x 24" x 22"	9" Base	5-1/2"
2103639A	8" x 24" x 22"	12" Base	8-1/2"

Please refer to pricing through Con-Nex, our online ordering program

Cabinet Accessories (continued)

Base Knife Block and Utensil Storage Pull-Outs

- Base Knife Block and Utensil Storage units come fully assembled and ready to install.
- Full extension BLUMOTION soft close undermount glides with 135 lb. weight capacity.
- Knife Storage features flex rod technology. Knives can be randomly inserted in any direction, including diagonally.
- Removable stainless steel utensil storage receptacles for ease of cleaning.
- Includes 4 multi-colored dishwasher safe cutting mats.
- Maple TSCA compliant plywood construction with durable polyurethane finish.
- Adjustable door mounting brackets allow for easy installation, regardless of overlay. Door not included.
- Floor mounted units can be easily installed in both framed and full access cabinetry, including Conestoga's Advantage and Vesta RTA lines.

Part No.	Size (WxHxD)	Fits Cabinet	Min. Opening
2100991A	6" x 25-1/2" x 21-5/8"	9" Base	5-1/2"
2100992A	7-1/8" x 25-1/2" x 21-5/8"	12" Base	7-1/2"
2100993A	8-3/4" x 25-1/2" x 21-5/8"	12" Base	8-3/4"
2100994A	10-1/8" x 25-1/2" x 21-5/8"	15" Base	10-1/2"
2100995A	11-3/4" x 25-1/2" x 21-5/8"	15" Base	11-1/2"


Base Paper Towel Holder Organizer Pull-Outs

- Base Paper Towel Organizer comes assembled and ready for installation.
- Full extension, soft close BLUMOTION drawer glides with 110 lb. weight capacity.
- Adjustable rub bushings minimize side-to-side movement, even when fully extended.
- Maple TSCA compliant plywood construction with durable polyurethane finish.
- Adjustable door mounting brackets allow for easy installation, regardless of overlay. Door not included.
- Floor mounted units can be easily installed in both framed and full access full height door cabinetry, including Conestoga's Advantage and Vesta RTA lines.

Part No.	Size (WxHxD)	Fits Cabinet	Min. Opening
2100999A	6-7/8" x 26-29/32" x 21-23/32"	12" Base	6-7/8"
2101000A	8-3/4" x 26-29/32" x 21-23/32"	12" Base	8-3/4"

Please refer to pricing through Con-Nex,
our online ordering program

Cabinet Accessories (continued)



Ready to Install Utensil Base Pull-Out

- Utensil Base Pull-Outs ship fully assembled and include drawer hardware and floor mounting cleats for quick and easy installation.
- Features a top-mounting bracket to eliminate side-to-side movement and sagging, even when fully extended.
- Full extension soft close undermount glides with 100 lb. weight capacity.
- Each unit contains four stainless steel removable utensil storage bins and one fixed shelf.
- White Birch TSCA compliant plywood construction with a durable UV topcoat.
- Integrated 6-way adjustable door mounting hardware allows for easy installation for all overlays and framing widths. Door not included.
- Floor mounted units can be easily installed in both framed and full access, full height door cabinetry, including Conestoga's Advantage and Vesta RTA lines.

Part No.	Size (W x H x D)	Fits Cabinet	Min. Opening
2103640A	5-1/2" x 24" x 22"	9" Base	5-1/2"
2103588A	8-1/2" x 24-1/8" x 22"	12" Base	8-1/2"

Base Utensil Pull-Outs



- Base Utensil Pull-Outs ship fully assembled and ready to install.
- Soft close full extension undermount BLUMOTION drawer glides with 135 lb. weight capacity.
- Stainless Steel Utensil Storage Bins are removable for easy cleaning. 6" and 8-3/4" wide units include three storage bins, 11-3/4" wide unit includes 6 storage bins. All units also include two shelves.
- Maple TSCA compliant plywood construction with durable clear polyurethane finish.
- Adjustable door mounting brackets allow for easy installation and adjustment, regardless of overlay. Door not included.
- Floor mounted units can be easily installed in both framed and full access cabinetry, including Conestoga's Advantage and Vesta RTA lines.

Part No.	Size (WxHxD)	Fits Cabinet	Min. Opening
2100996A	6" x 25-1/2" x 21-5/8"	9" Base	6"
2100997A	8-3/4" x 25-1/2" x 21-5/8"	12" Base	8-1/2"
2100998A	11-3/4" x 25-1/2" x 21-5/8"	15" Base	11-1/2"

Please refer to pricing through Con-Nex,
our online ordering program

Cabinet Accessories (continued)

Two-Tier Cookware Organizers Base Pull-Outs

- Two-Tier Cookware Organizer Base Pull-Outs ship fully assembled and include drawer hardware and floor mounting cleats for quick and easy installation.
- Bottom, side and rear mounting for complete stability.
- Units can be installed in base cabinets with a functioning top drawer or full height door.
- Soft close full extension ball bearing glides with 100 lb. weight capacity.
- Heavy duty polished chrome wire racks operate independently to provide maximum access to pans and lids.
- Optional adjustable door mounting hardware allows for easy installation for all overlays and framing widths. Order door mounting kit, part# 2105409A. Door not included.
- Can be easily installed in framed or full access cabinetry, including Conestoga's Advantage and Vesta RTA lines.

Part No.	Size (WxHxD)	Fits Cabinet	Min. Opening
2100767A	11-3/4" x 18" x 22"	15" Base	11-3/4"
2100768A	20-3/4" x 18-1/8" x 22"	24" Base	20-3/4"
2105409A	1-1/2" x 8" x 2-1/8"	All	11-3/4"


Base Pull-Out Units with Tray Divider & Foil Wrap Holder

- Base Pull-Out Units with Tray Dividers & Foil Wrap Holders ship fully assembled and ready to install.
- Soft close BLUMOTION full extension undermount glides with 135 lb. weight capacity.
- Two dividers with polished chrome side rails.
- Maple TSCA compliant plywood construction with durable polyurethane topcoat.
- Adjustable door mounting brackets allow for easy installation and adjustment, regardless of overlay. Door not included.
- Floor mounted units can be easily installed in both framed and full access cabinetry, including Conestoga's Advantage and Vesta RTA lines.

Part No.	Size (WxHxD)	Fits Cabinet	Min. Opening
2100983A	5-15/16" x 19-1/2" x 21-21/32"	9" Base	6"
2100984A	7-1/8" x 19-1/2" x 21-21/32"	12" Base	7-1/2"
2100985A	8-23/32" x 19-1/2" x 21-21/32"	12" Base	8-3/4"
2100986A	10-1/8" x 19-1/2" x 21-21/32"	15" Base	10-1/2"

Please refer to pricing through Con-Nex, our online ordering program

Cabinet Accessories (continued)



Ready to Install Tray Divider Pull-Outs

- Ready to Install Tray Divider Pull-Outs ship fully assembled and include drawer hardware and floor mounting cleats for quick and easy installation.
- Stores and organizes bakeware, serving trays and more, providing easy access.
- Removable center rack and adjustable dividers allow you to customize the storage space to best fit your needs.
- Non-slip mat on unit bottom prevents stored items from moving and reduces noise.
- Installation hardware eliminates sagging and side-to-side movement, even when fully extended.
- Can be used under functional top drawer or in full height door cabinet configurations.
- Soft close full extension undermount glides with 100 lb. weight capacity.
- White Birch TSCA compliant plywood construction with a durable UV topcoat.
- Integrated 6-way adjustable door mounting hardware allows for easy installation for all overlays and framing widths. Door not included.
- Floor mounted units can be easily installed in framed or full access cabinetry, including Conestoga's Advantage and Vesta RTA lines.

Part No.	Size (WxHxD)	Fits Cabinet	Min. Opening
2103663A	5" x 17-9/16" x 22-1/4"	9" Base	5-1/2"
2103664A	8" x 17-9/16" x 22-1/4"	12" Base	8-1/2"



Base Tray Roll-Outs

- Base Tray Roll-Out units are fully assembled and includes drawer hardware and floor mounting cleats for quick and easy installation.
- **Note:** Special lower hinge location is required to provide adequate clearance for 3-1/2" high front of unit. Will not function with concealed inset hinges.
- Side mount full extension KV glides.
- 5" unit comes with 1 tray divider, 8" unit with 2 tray dividers and 11" unit with 3 tray dividers.
- Maple TSCA compliant plywood construction with a durable UV topcoat.
- Floor mounted units can be easily installed in both framed and full access cabinetry, including Conestoga's Advantage and Vesta RTA lines.

Part No.	Size (WxHxD)	Fits Cabinet	Min. Opening
2100791A	5" x 10" x 21-3/4"	9" Base	6"
2100792A	8" x 10" x 21-3/4"	12" Base	9"
2100793A	11" x 10" x 21-3/4"	15" Base	12"

Please refer to pricing through Con-Nex, our online ordering program

Cabinet Accessories (continued)



U-Shaped Tray Dividers

- U-Shaped Tray Divider ships fully assembled and ready to install.
- Wire unit with polished chrome finish.
- Sold individually, each tray divider provides 3" of storage space. Multiple units can be mounted adjacent to each other for use in wider cabinets.
- Floor or shelf mounted units can be easily installed in base framed and full access cabinetry, including Conestoga's Advantage and Vesta RTA lines.

Part No.	Size (WxHxD)	Fits Cabinet	Min. Opening
2100765A	3" x 10" x 11-7/8"	9" Base	3-1/4"



Single Drawer Cookware Roll-Outs

- Single Drawer Cookware Roll-Outs ship fully assembled and ready to install. Floor mounting hardware and drawer glides included.
- Soft close full extension undermount glides with 100 lb. weight capacity.
- Ideal for organizing and storing cutting boards, cookware, pots & pans, lids and more.
- Dividers are adjustable and can be easily repositioned to accommodate stored items.
- White Birch TSCA compliant plywood dovetail construction with a durable UV topcoat.
- Floor mounted units can be easily installed in framed or full access cabinetry, including Conestoga's Advantage and Vesta RTA lines.

Part No.	Size (WxHxD)	Fits Cabinet	Min. Opening
2103654A	13-9/16" x 9-1/16" x 22-3/8"	18" Base	15"
2103655A	19-1/8" x 9-1/16" x 22-3/8"	24" Base	21"
2103656A	25-1/8" x 9-1/16" x 22-3/8"	30" Base	27"

**Please refer to pricing through Con-Nex,
our online ordering program**

Cabinet Accessories (continued)



Double Drawer Cookware Storage Roll-Outs

- Double Drawer Cookware Roll-Outs ship fully assembled and include drawer hardware and floor mounting cleats for quick and easy installation.
- Double Drawer Cookware Storage units include a top drawer that operates independently from the bottom drawer, allowing for maximum space utilization and access.
- Soft close full extension undermount glides with 100 lb. weight capacity.
- Ideal for organizing and storing cutting boards, cookware, pots & pans, lids and more.
- Dividers are adjustable and can be easily repositioned to accommodate various stored items.
- White Birch TSCA compliant plywood dovetail construction with a durable UV topcoat.
- Floor mounted units can be easily installed in framed or full access cabinetry, including Conestoga's Advantage and Vesta RTA lines.

Part No.	Size (WxHxD)	Fits Cabinet	Min. Opening
2103657A	13-9/16" x 19-1/16" x 22-3/8"	18" Base	15"
2103658A	19-1/8" x 19-1/16" x 22-3/8"	24" Base	21"
2103659A	25-1/8" x 19-1/16" x 22-3/8"	30" Base	27"

Please refer to pricing through Con-Nex,
our online ordering program

Cabinet Accessories (continued)



Double Drawer Bottle Storage Roll-Outs

- Double Drawer Bottle Storage Roll-Outs ship fully assembled and include drawer hardware and floor mounting cleats for quick and easy installation.
- Soft close full extension undermount glides with 100 lb. weight capacity.
- Double Drawer Bottle Storage Unit includes a top drawer that operates independently from the bottom drawer, allowing for maximum space utilization and access.
- Ideal for organizing and storing water bottles, wine bottles and more.
- All units come with a 15 opening storage grid that can accommodate bottles up to 4" in diameter. 21" and 27" units also come with additional vertical dividers for larger bottles or other storage items.
- Bottle storage grids can be positioned on the right or left side of the 21" and 27" drawer units.
- White Birch TSCA compliant plywood dovetail construction with a durable UV topcoat.
- Floor mounted units can be easily installed in framed or full access cabinetry, including Conestoga's Advantage and Vesta RTA lines.

Part No.	Size (WxDxH)	Fits Cabinet	Min. Opening
2103660A	13-9/16" x 19-1/16" x 22-3/8"	18" Base	15"
2103661A	19-1/8" x 19-1/16" x 22-3/8"	24" Base	21"
2103662A	25-1/8" x 19-1/16" x 22-3/8"	30" Base	27"

**Please refer to pricing through Con-Nex,
our online ordering program**

Cabinet Accessories (continued)

Girasolo Blind Corner Optimizer



- Girasolo Blind Corner Optimizer units provide a unique way to utilize the storage area within blind base corner cabinets.
- Revolutionary in design, Girasolo Blind Corner shelving provides the maximum surface area while allowing swing out shelves to fully function in openings as narrow as 12" in width.
- A single pivot post makes installation quick and easy, with just 8 installation screws.
- The unique pull-out motion limits interference with adjacent cabinets.
- Soft open and close system ensures smooth, quiet operation.
- Each unit includes two Maple patterned TSCA compliant swing-out shelves with metal side rails to secure stored items.
- Adjustable height shelves, each with 44 lb. weight capacity.
- Girasolo Blind Corner units can be installed in both framed and full access cabinetry, including Conestoga's Advantage and Vesta RTA lines.

Part No.	Size (WxHxD)	Door Position	Fits Cabinet	Min. Opening Framed	Min. Opening Full Access
2100528A	33-1/2" x 30-11/16" x 14"	Left	Blind Base	12"	13-1/2"
2100529A	33-1/2" x 30-11/16" x 14"	Right	Blind Base	12"	13-1/2"
2100530A	36-1/4" x 30-11/16" x 16"	Left	Blind Base	15"	16-1/2"
2100531A	36-1/4" x 30-11/16" x 16"	Right	Blind Base	15"	16-1/2"
2100532A	38-1/4" x 30-11/16" x 18"	Left	Blind Base	18"	19-1/2"
2100533A	38-1/4" x 30-11/16" x 18"	Right	Blind Base	18"	19-1/2"

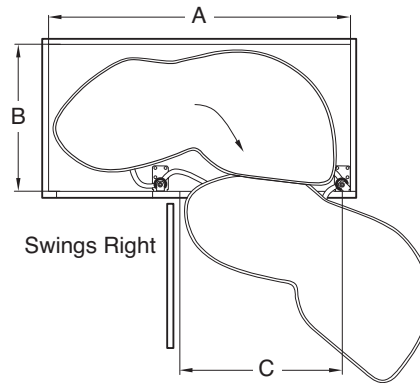
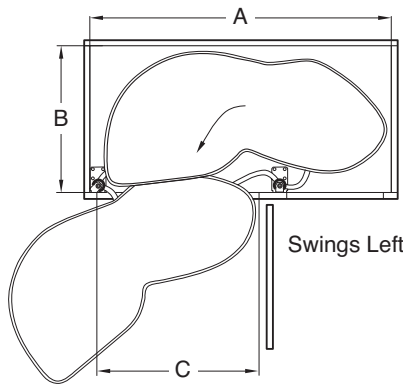
Please refer to pricing through Con-Nex,
our online ordering program

Cabinet Accessories (continued)



LeMans II Corner Swing-Out Shelves

- Lemans II Corner Swing-Out Shelves are designed to be installed in blind corner base cabinets with either functional top drawer or full height door.
- Unit includes two Maple patterned non-slip swing out shelves with platinum colored metal side rails and platinum colored posts.
- Shelves are adjustable in height in 2" increments.
- 55 lb. per shelf weight capacity.
- Can be retrofitted into existing blind corner cabinetry.
- Units can be installed in both framed and full access cabinetry, including Conestoga's Advantage and Vesta RTA lines.



Part Number	Shelf Size	Interior Width A	Interior Depth B	Opening Width (Framed) C	Opening Width (Frameless) C	Swing
541.32.445	15"	32-1/4"	21"	16-1/8"	17-1/8"	Right
541.32.446	15"	32-1/4"	21"	16-1/8"	17-1/8"	Left
541.32.450	18"	36-1/4"	21"	17-3/4"	18-3/4"	Right
541.32.451	18"	36-1/4"	21"	17-3/4"	18-3/4"	Left
541.32.460	21"	38"	21"	21-1/4"	22-1/4"	Right
541.32.461	21"	38"	21"	21-1/4"	22-1/4"	Left

Please refer to pricing through Con-Nex,
our online ordering program

Cabinet Accessories (continued)



Blind Corner Organizer Pull-Outs

- Blind Corner Organizer Pull-Outs include drawer hardware and floor mounting cleats for quick and easy installation. Minor pre-installation assembly is required.
- Full access pull-out units provide maximum utilization of difficult to reach areas within blind base corner cabinetry.
- Universal design allows unit to be installed for either left or right handed applications.
- 20-9/16" high units can be used with under a functional top drawer. 24-1/16" high units must be used with a full height door cabinet.
- Constructed from heavy duty polished chrome welded flat wire with solid shelf bottoms.
- Each unit includes four polished chrome, flat wire baskets. Additional baskets sold separately.
- Soft close full extension ball bearing glides with 130 lb. weight capacity.
- Integrated 6-way adjustable door mounting hardware allows for easy installation for all overlays and framing widths. Door not included.
- Floor mounted units can be easily installed in framed or full access cabinetry, including Conestoga's Advantage and Vesta RTA lines.

Part No.	Size (WxHxD)	Fits Cabinet	Min. Opening
2103669A	26-13/16" x 20-9/16" x 22-1/8"	Blind Base	14-1/2"
2103670A	26-13/16" x 24-1/16" x 22-1/8"	Blind Base	15"
2103671A	12-3/16" x 3-9/16" x 15-9/16"	2-Baskets	15"
2103672A	32-7/8" x 20-9/16" x 22-1/8"	Blind Base	17-1/2"
2103673A	32-7/8" x 24-1/16" x 22-1/8"	Blind Base	18"
2103674A	15-3/16" x 3-9/16" x 15-9/16"	2-Baskets	18"

Please refer to pricing through Con-Nex,
our online ordering program

Cabinet Accessories (continued)

Solid Bottom Blind Corner Optimizer Pull-Outs

- Blind Corner Optimizer Pull-Outs include hardware for floor mounted installation. Minor pre-installation assembly is required.
- Blind corner pull-outs maximize space utilization in blind corner cabinetry, allowing accessibility to the entire unit. When shelves are fully extended outside the cabinet, the top shelf can be pushed back into the cabinet to provide full access to items on the bottom shelf.
- Universal design allows unit to be installed for either left or right handed application.
- Can be installed in cabinet with a functional top drawer or in a full height door blind base corner cabinet.
- Pull-out shelves include a silver steel frame and polished chrome wire surround with non-slip Maple patterned TSCA compliant bottom.
- Soft close heavy duty ball bearing glides.
- Floor mounted units can be easily installed in framed or full access blind cabinetry, including Conestoga's Advantage and Vesta RTA lines.

Part No.	Size (WxHxD)	Fits Cabinet	Min. Opening
2101003A	26-13/16" x 23-1/2" x 20-13/32"	Blind Base	15"
2101004A	32-1/4" x 23-1/2" x 20-13/32"	Blind Base	18"


Blind Corner Base Pull-Out System

- Blind Corner Base Pull-Outs include hardware for floor mounted installation. Minor pre-installation assembly is required.
- Blind Corner Base unit extends out of cabinet opening, then swings to the side, allowing the second set of shelves to pull forward, providing full access to all shelving and contents.
- Designed to be installed in blind base corner cabinets with a functioning top drawer or full height door.
- Piano hinge on swing out unit is reversible, allowing left or right installation applications.
- Maple TSCA compliant 1/2" plywood construction with a clear, durable topcoat.
- Unit can be installed in both framed and full access cabinetry, including Conestoga's Advantage and Vesta RTA lines.

Part No.	Size (WxHxD)	Fits Cabinet	Min. Opening
2100790A	34-3/4" x 19-9/16" X 22-7/16"	Blind Base	15"

Please refer to pricing through Con-Nex,
our online ordering program

Cabinet Accessories (continued)



Wood Half Moon Lazy Susan



Plastic Half Moon Lazy Susan

Half Moon Lazy Susan Shelf System

- Half Moon Lazy Susan Shelf Systems are designed to fit into blind base cabinetry, providing increased access to stored items in recessed areas.
- Half Moon shelves operate individually, swinging out of the cabinet, then sliding forward to provide full access to the entire shelf depth.
- Wood shelf kits are constructed from Maple TSCA compliant plywood with a clear polyurethane finish. Each wood shelf kit includes two plywood shelves with supports, a 17" chrome plated shaft with aluminum bearings, two positioning bases, two pairs of ball bearing slides and an installation template.
- Plastic shelf kits are molded from white polypropylene material. Each polymeric shelf kit includes two shelves with supports, a 15-7/8" polished chrome plated shaft with aluminum bearings, two positioning bases, two pairs of ball bearing slides and an installation template.
- Half Moon Shelves are universal and can be installed to swing left or right.
- Half Moon Shelf units can be installed in both framed and full access cabinetry, including Conestoga's Advantage and Vesta RTA lines.

Part No.	Size (WxHxD)	Fits Cabinet	Min. Opening
2103591A	Wood Shelves 32-1/4" x 16" x 14-5/32"	Blind Base	12"
2103592A	Wood Shelves 35" x 16" x 17-5/32"	Blind Base	15"
2103593A	Wood Shelves 37-3/4" x 16" x 20-3/16"	Blind Base	18"
2103594A	Polymer Shelves 31-7/16" x 15-15/16" x 15-1/4"	Blind Base	13-1/4"
2103595A	Polymer Shelves 33" x 15-15/16" x 18-11/32"	Blind Base	16-1/8"
2103596A	Polymer Shelves 39-11/32" x 15-15/16" x 21-5/8"	Blind Base	19-1/4"

Please refer to pricing through Con-Nex,
our online ordering program

Cabinet Accessories (continued)

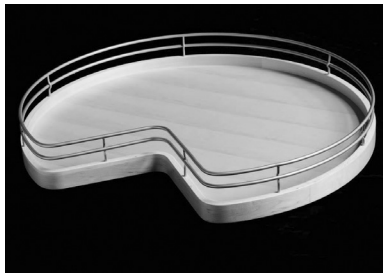


Wood Rim Lazy Susan Shelves

- Wood Rim Lazy Susan Shelves ship ready to install into corner cabinetry on fixed or adjustable shelving, and onto cabinet floor.
- Each Lazy Susan Shelf includes a pre-mounted center ring bearing.
- Constructed from 1/2" Maple TSCA compliant plywood bottom surrounded by a 1-1/2" high wood laminated rim with a durable clear finish. No finger joints.
- Wood Rim Lazy Susan Shelves sold individually.
- Wood Rim Lazy Susan Shelves can be installed in both framed and full access Wall and Base Corner cabinetry, including Conestoga's Advantage and Vesta RTA lines.

Part No.	Size(WxHxD)	Description
2100053A	18" x 1-1/2" x 18"	18" Full Round Wood Lazy Susan
2100051A	32" x 1-1/2" x 32"	32" Full Round Wood Lazy Susan
2100052A	28" x 1-1/2" x 28"	28" Kidney Wood Lazy Susan
2100050A	32" x 1-1/2" x 32"	32" Kidney Wood Lazy Susan

Wire Rim Wood Lazy Susan Shelves



- Wire Rim Lazy Susan Shelves ship ready to install into corner cabinetry onto fixed or adjustable shelving, and cabinet floor.
- Each Wire Rim Lazy Susan Shelf includes a pre-mounted center ring bearing.
- Constructed from 1/2" Maple TSCA compliant plywood bottom surrounded by a 1-1/2" high laminated wood rim with a durable clear finish. A silver 2" high powder coated wire rim is attached to the top edge of the wood rim.
- Wire Rim Lazy Susan Shelves sold in pairs only.
- Wood Rim Lazy Susan Shelves can be installed in both framed and full access Wall and Base Corner cabinetry, including Conestoga's Advantage and Vesta RTA lines.

Part No.	Size(WxHxD)	Description
2100785A	28" x 3-1/2" x 28"	28" Full Round Wire Rim Lazy Susan Set
2100786A	32" x 3-1/2" x 32"	32" Full Round Wire Rim Lazy Susan Set
2100787A	28" x 3-1/2" x 28"	28" Kidney Wire Rim Lazy Susan Set
2100788A	32" x 3-1/2" x 32"	32" Kidney Wire Rim Lazy Susan Set

Please refer to pricing through Con-Nex,
our online ordering program

Cabinet Accessories (continued)

Metal Pull-Out Baskets with Optional Pilasters



- Metal Pull-Out Baskets are sold individually and can be floor mounted to the cabinet bottom, or installed in conjunction with the optional Pilaster Set. Each basket includes a removable grey acrylic bottom liner to provide a flat, sturdy storage surface.
- Metal Pilaster Set, sold separately contains four pilasters to be attached to the interior end panels near each corner.
- If using multiple pull-out baskets in a base cabinet, order one pilaster set. If installing in a pantry cabinet, order two or more pilaster sets, mounting additional pilaster sets above the lower pilasters. Connectors included.
- Baskets sold in quantity of one.
- Both the heavy duty flat wire pull-out baskets and pilaster sets have a polished chrome finish.
- Soft close full extension ball bearing glides with 130 lb. per basket weight capacity.
- Pilaster sets and pull-out baskets can be easily installed in framed or full access cabinetry, including Conestoga's Advantage and Vesta RTA lines.

Part No.	Description	Size (WxHxD)	Fits Cabinet	Min. Opening
2103665A	Pilaster Set	1-1/4" x 21-1/2" x 1/2"	Base/Pantry Cabinetry	NA
2103666A	Pull-Out Basket	14-1/2" x 4-1/4" x 22"	18" Base/Pantry	14-1/2"
2103667A	Pull-Out Basket	19-9/16" x 5-7/16" x 22-1/16"	24" Base/Pantry	20-1/2"
2103668A	Pull-Out Basket	25-9/16" x 5-7/16" x 22-1/16"	30" Base/Pantry	26-1/2"

**Please refer to pricing through Con-Nex,
our online ordering program**

Cabinet Accessories (continued)



Heavy Duty Mixer Lift

- Heavy Duty Mixer Lift units can be ordered as Hardware Only Kit, or as a Soft Close Hardware with shelf.
- Soft close unit includes solid Maple shelf with a clear polyurethane finish. 11-3/4" x 1-3/8" x 20" shelf.
- Both kits feature built-in shock dampeners and adjustable spring tension with 60 lb. weight capacity.
- Hardware Only Kit does not include a shelf or soft close feature.
- Hardware color of both units is silver.
- Heavy Duty Mixer Lift can be installed in both framed and full access cabinetry, including Conestoga's Advantage and Vesta RTA lines.

Part No.	Description	Fits Cabinet	Min. Opening
2100774A	Hardware only, No Shelf	15" to 24" Base	12"
2101005A	Soft Close Hardware w/Shelf	18" Base	15"

Wall Organizer Pull-Outs



- Wall Organizer Pull-Outs ship fully assembled and ready to install.
- Includes floor mounted full extension undermount glides.
- Wall Organizers feature one fixed and three adjustable shelves with chrome side rails to secure stored items.
- Constructed from Maple TSCA compliant plywood with a durable clear polyurethane finish.
- Adjustable door mounting brackets allow the easy installation and adjustment, regardless of overlay. Door not included.
- Wall Organizer units can be installed in both framed or full access wall cabinets, including Conestoga's Advantage and Vesta RTA lines.

Part No.	Size (WxHxD)	Fits Cabinet	Min. Opening
2100778A	5" x 26-1/4" x 10-3/4"	Wall 930	5-1/2"
2100779A	8" x 26-1/4" x 10-3/4"	Wall 1230	8-1/2"

**Please refer to pricing through Con-Nex,
our online ordering program**

Cabinet Accessories (continued)



Tiered Wall Filler Pull-Outs

- Tiered Wall Filler Pull-Outs come in a variety of heights, ship fully assembled and ready to install between adjacent cabinets. Tiered Wall units will not fit inside existing cabinetry.
- An overlay filler is required on face of the unit, not included.
- Each Tiered Wall unit includes adjustable shelves with polished chrome side rails to secure stored items.
- Includes full extension ball bearing top and bottom glides for a smooth, stable operation.
- Maple TSCA compliant plywood construction with a durable polyurethane clear topcoat.
- Units can be easily installed between either framed or full access wall cabinets, including Conestoga's Advantage and Vesta RTA lines.

Part No.	Size (WxDxH)	# Shelves
2100752A	3" x 30" x 11-1/8"	4
2100753A	6" x 30" x 11-1/8"	4
2100754A	3" x 36" x 11-1/8"	5
2100755A	6" x 36" x 11-1/8"	5
2100756A	3" x 42" x 11-1/8"	6
2100757A	6" x 42" x 11-1/8"	6

**Please refer to pricing through Con-Nex,
our online ordering program**

Cabinet Accessories (continued)



(Optional Grooming Organizer shown)

Vanity Base Pull-Out

- Vanity Base Pull-Outs ship fully assembled and includes floor mounting cleats for quick installation.
- Heavy duty top slide eliminates excessive side to side movement and sagging, even when fully extended.
- Soft close full extension undermount glides rated for 100 lb. weight capacity.
- Vanity Pull-Out unit has two fixed and one adjustable shelf.
- White Birch TSCA compliant plywood construction with a durable UV topcoat.
- Accomodates an optional Grooming Organizer and Acrylic Tray Insert.
- Integrated 6-way adjustable door mounting hardware allows for easy installation for all overlays and framing widths. Door not included.
- Floor mounted vanity units can be easily installed in both framed and full access cabinetry, including Conestoga's Advantage and Vesta 21" deep vanity RTA lines.



Grooming Organizer

- Grooming Organizer ships fully assembled. Simply place on the top shelf of Vanity Base Pull-Out unit.
- Includes one 3" and two 2" stainless canisters with heat shields to prevent heat from transferring to surrounding surfaces.
- Features dividers for appliance cords and two open storage trays on top of unit for additional organization.
- White Birch TSCA compliant plywood construction with a durable UV topcoat.



Acrylic Tray Insert

- Clear Acrylic Tray Insert is sized to fit on top of Vanity Base Pull-Out unit and can be used in conjunction with Grooming Organizer.
- Acrylic Tray is divided into four compartments and can be conveniently lifted out of the Vanity Base Pull-Out.

Part No.	Description	Size (WxHxD)	Fits Cabinet	Min. Opening
2103585A	Vanity Base Pull-Out	8-13/32" x 19-7/8" x 18-13/16"	12" Vanity	9"
2103586A	Grooming Organizer	8" x 5" x 9"	12" Vanity	9"
2103587A	Acrylic Tray Insert	8-13/32" x 3-7/16"	12" Vanity	9"

**Please refer to pricing through Con-Nex,
our online ordering program**

Cabinet Accessories (continued)



Sink Front Tip Out Tray Kits

- Sink Front Tip Out Trays provide convenient storage behind Sink Base false drawer fronts.
- Each Tip Out Tray Kit includes one open tray and one soap dish tray with integrated ring post. Kits include two pairs of spring loaded sissor style mounting hinges.
- Choice of Almond or White high impact polystyrene trays.
- Can be mounted individually behind narrower drawer fronts or in tandem behind a single wider drawer front. Check sink dimensions to ensure there is adequate clearance.
- Can be easily installed in framed or full access cabinetry, including Conestoga's Advantage and Vesta RTA lines.

Part No.	Color	Size (WxHxD)	Fits Cabinet	Min. Opening
2100769A	Almond	11" x 3-13/16" x 2-1/8"	Sink Base 30	13-1/4"
2100770A	Almond	14" x 3-13/16" x 2-1/8"	Sink Base 36	16-1/4"
2100977A	White	11" x 3-13/16" X 2-1/8"	Sink Base 30	13-1/4"
2100978A	White	14" x 3-13/16" x 2-1/8"	Sink Base 36	16-1/4"

Under-Sink Mat



- Under Sink Mat can be installed into Sink Base cabinets right out of the package. Simply trim to the desired size and drop into place.
- Can be trimmed to size on the back of the mat with a straight edge and sharp utility knife, or on a table saw.
- Recessed dimples can hold up to 1-gallon of liquid per six square feet.
- Constructed from polystyrene material with a grey/ stainless finish.
- Protective Under Sink Mat can be installed in both framed and full access Sink Base and Vanity Sink Base cabinetry, including Conestoga's Advantage and Vesta RTA lines.

Part No.	Size (WxD)	Fits Cabinet
547.91.550	45-1/4" x 24-5/8"	Sink Base - Trim to Fit

Please refer to pricing through Con-Nex, our online ordering program

Cabinet Accessories (continued)

Sink Base Drip Trays



- Sink Base Drip Trays ship ready to install right out of the package. If required, simply trim the flexible thermoplastic liners to the desired size and set in place.
- Drip trays can be easily trimmed to size with scissors. Up to 3" can be trimmed from width and 2" trimmed from depth.
- Sink Base Drip Trays can be installed into both framed and full access Sink Base cabinetry, including Conestoga's Advantage and Vesta RTA lines.

Part No.	Size (WxD)	Fits Cabinet
2101006A	28-1/2" x 23-1/4"	27" & 30" Sink Base
2101007A	34-1/2" x 23-1/4"	33" & 36" Sink Base
2101008A	40-1/2" x 23-1/4"	39" & 42" Sink Base

File Drawer Support Systems



- File Drawer Support Systems are designed to fit inside deep drawers to accommodate hanging file folders.
- Rail length can be trimmed to fit custom sized cabinets.
- Smaller support accommodates letter size hanging files.
- Larger support accommodates legal size hanging files.
- Wire frame construction with black finish.
- File folders and drawer front not included.

Part No.	Size (WxHxD)	Fits Cabinet
2100775A	13" x 9-3/4" x 19-1/4"	18" Deep Drawer
2100776A	15-7/8" x 9-3/4" x 19-1/4"	21" Deep Drawer

**Please refer to pricing through Con-Nex,
our online ordering program**

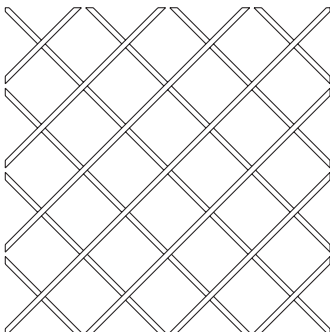
Cabinet Accessories (continued)

Lattice Wine Rack Design/Size	
Model	Size
Standard	17" x 36"
	24" x 30"
	24" x 43"
Square	17" x 36"
	24" x 30"
	24" x 43"
Deluxe	17" x 36"
	24" x 30"
	24" x 43"

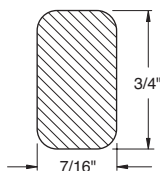
Lattice Wine Racks

- Sold individually (specify two pieces if pair is desired).
- All lattice designs are available in Cherry and Hard Maple.
- Trimmable in length and width - must remove equal amounts from ends or top and bottom.
- Standard rack bottle openings are 4" x 4".
- Square and Deluxe bottle openings are 4-1/4" x 4-1/4".
- Square and Deluxe wine racks can be used to make a pair.
- Available unfinished or finished. See Finishing Program Section for pricing.

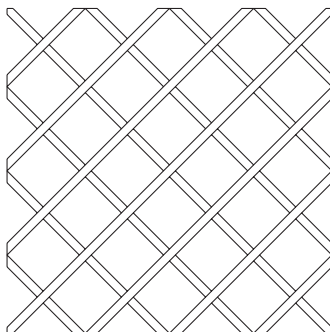
Standard



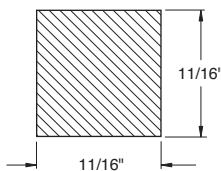
Standard cross section



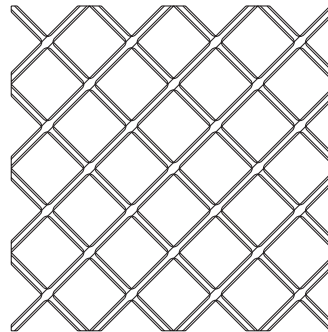
Square



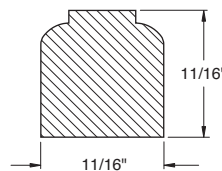
Square cross section



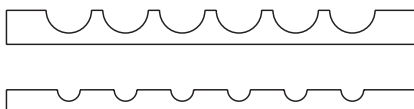
Deluxe



Deluxe cross section



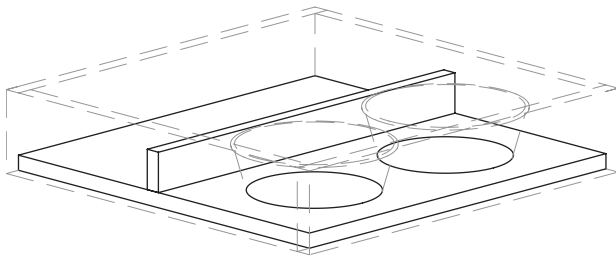
Half Round Wine Racks



- Design Charge, Material Category B.
- Use 1.25 sq. ft. to calculate 30" racks and 1.50 sq. ft. to calculate 36" racks.
- Available in all Category B published species.
- Sold in pairs (front and back).
- 3/4" thick only, 30" or 36" length.
- Front is 2" high, back is 3" high.
- Bottle cut-outs start 3" from end on 30" and 3-1/2" from end on 36".
- 30" holds 5 bottles, 36" holds 6 bottles.
- Horizontal grain direction only.
- Available unfinished or finished. See Finishing Program Section for pricing.

Please refer to pricing through Con-Nex, our online ordering program

Cabinet Accessories (continued)



Pet Insert

- Can be sized to fit a specific drawer box or ordered separately. If ordered separately, specify width and depth.
- Available in Hard Maple and Natural Birch.
- 3/4" thick Natural Birch plywood insert and divider.
- Insert accommodates 5", 6-1/2" and 7-3/8" diameter bowls (not included). Bowls are available at most pet stores.
- Not intended to accommodate water bowls.
- 2" high plywood divider is shipped loose. Plywood base plate is pre-drilled with pilot holes for divider installation.
- Available in drawer box depths between 18" to 21".

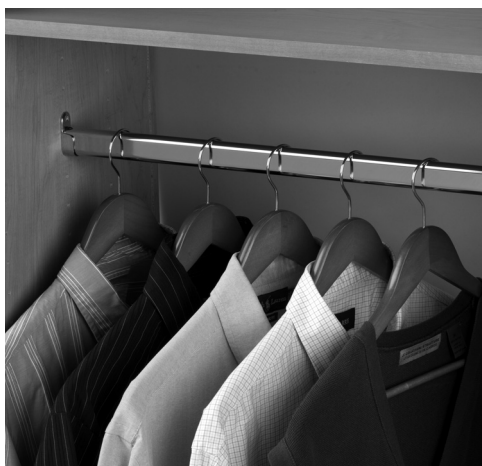
Single cut-out:

Natural Birch
Hard Maple
Minimum width: 12-3/4".
Maximum width: 18".

Double cut-out:

Natural Birch
Hard Maple
Minimum width: 15".
Maximum width: 36".

Closet Accessory Program



Oval Wardrobe Tube and Accessories

- Unique oval design provides support for hanging clothes in closets and tall utility cabinets.
- Wardrobe Tube can be easily trimmed to length using a hacksaw.
- Wardrobe Tube Supports are required for wall to wall, between closet panels or inside cabinet installation applications.
- Surface Mount Center Supports are required on longer wardrobe tube spans or when using full length tubes.
- End Caps are used to cover cut exposed ends or when not using Wardrobe Tube Supports.
- Wardrobe Tube, Tube Supports, Oval Bracket Surface Mount and End Cap have a polished Chrome finish.



Oval Bracket
Surface Mount



End Cap



Tube Support

Part No.	Description
801.13.244	Oval Wardrobe Tube – 47-15/16" x 1-3/16" x 9/16" – Chrome – comes with 2 supports
802.04.208	Oval Bracket Surface Mount – Chrome – 1-13/16" high
802.05.295	End Cap – Chrome – 1-3/16" high

**Please refer to pricing through Con-Nex,
our online ordering program**