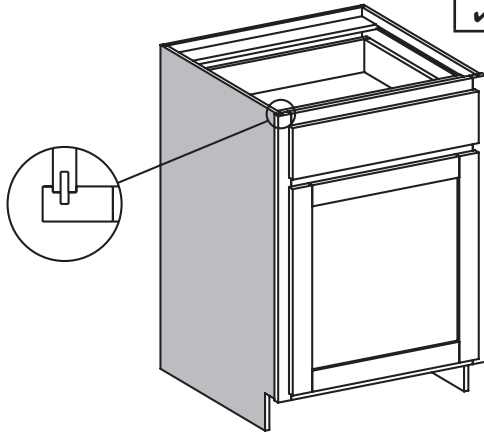


Exposed Ends (EXP)

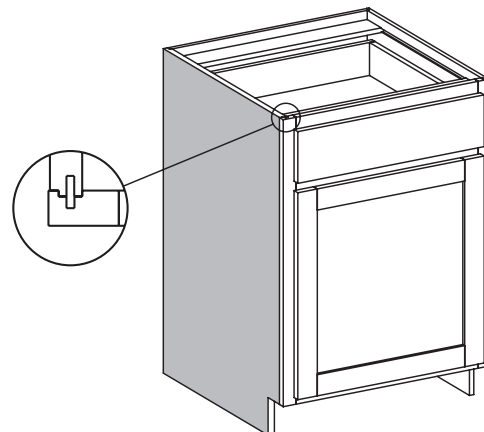
EXP	FL	FUE	SS	PFD	EXT	FT	SBR	LE	TSS	OS	NSH	WS	MI	DT	NB
✓															



- Matching specie veneer on 1/2" thick cabinet sides.
- Specify: "L" (Left), "R" (Right) or "B" (Both).
- 1/4" reveal from edge of front frame to surface of the side.
- Hard Maple and Soft Maple cabinets have Hard Maple exposed ends.
- 1/2" thick Exposed End Option not available with Colourtones, primers or Prism Paints. If primed or painted finishes are desired, cabinets must be ordered with Flush End Option.
- Use Conestoga's online ordering system, Con-Nex or Conestoga order entry for pricing.

Flush Ends (FL)

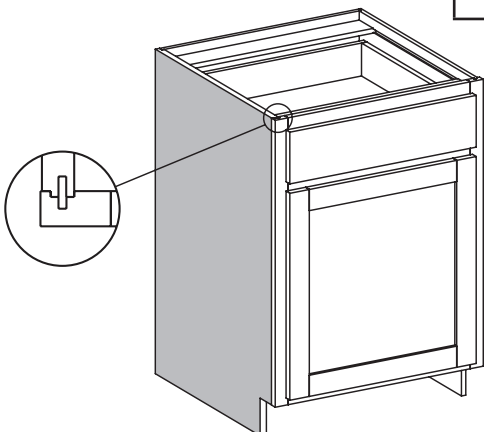
EXP	FL	FUE	SS	PFD	EXT	FT	SBR	LE	TSS	OS	NSH	WS	MI	DT	NB
	✓														



- Matching specie veneer on exposed of 3/4" thick cabinet sides.
- Specify: "L" (Left), "R" (Right) or "B" (Both).
- 1/32" reveal from edge of front frame to surface of the side.
- Hard Maple and Soft Maple cabinets have Hard Maple flush ends.
- Use Conestoga's online ordering system, Con-Nex or Conestoga order entry for pricing.
- All cabinets ordered with Colourtone, primer or Prism Paints will use a hybrid side panel.
 - ♦ Hybrid plywood side panels with Flush Ends have a paintable paper coated MDF exterior and UV coated Natural Birch interior.
 - ♦ Hybrid plywood side panels on cabinets with both Flush Ends and Matching Interior will have a paintable MDF surface on both sides.

Flush Unexposed Ends (FUE)

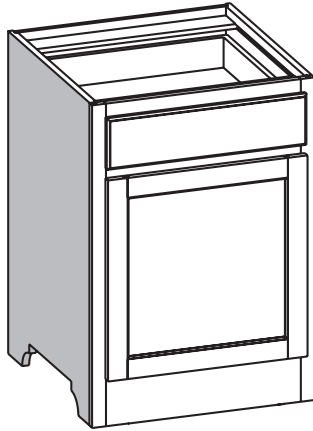
EXP	FL	FUE	SS	PFD	EXT	FT	SBR	LE	TSS	OS	NSH	WS	MI	DT	NB
		✓													



- Shop grade veneer on exterior face of 3/4" thick cabinet sides – finishing is not available.
- Order when thicker, non-exposed sides are required for solid surface and stone counter tops.
- Matching interior not available.
- Specify: "L" (Left), "R" (Right) or "B" (Both).
- 1/32" reveal from edge of front frame to surface of the side.
- Use Conestoga's online ordering system, Con-Nex or Conestoga order entry for pricing.

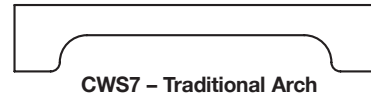
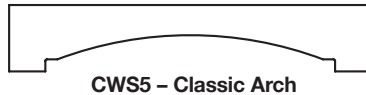
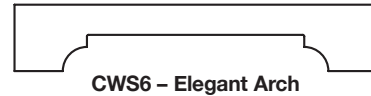
Options Key: EXP = Exposed End(s) FL = Flush End(s) FUE = Flush Unexposed End(s) SS = Shaped Side PFD = Prep for False Door
 EXT = Extended Stile(s) FT = Flush Toe SBR = Shaped Bottom Rail LE = Leg Extension TSS = Toe Space Side OS = Omit Shelving
 NSH = No Shelf Holes WS = Solid Wood Shelves MI = Matching Interior DT = Dust Top NB = Natural Finished Bottom

Shaped Side Option (SS)

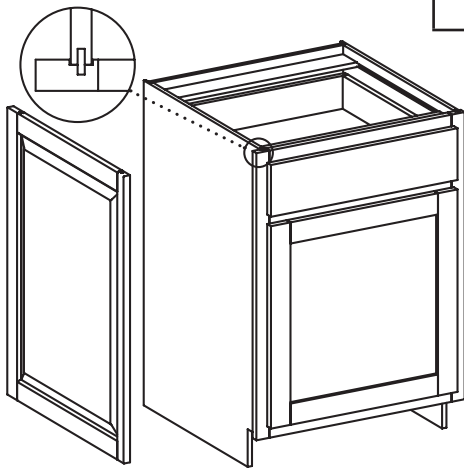


EXP	FL	FUE	SS	PFD	EXT	FT	SBR	LE	TSS	OS	NSH	WS	MI	DT	NB
			✓												

- Option incorporates one of four valance designs on exposed or flush ends.
- Shaped side option includes flush toe.
- To order, specify using Conestoga designations associated with the design – see shape options below.
- Specify “SS” – “L” (Left), “R” (Right) or “B” (Both).
- Design is centered on the length of the cabinet side.
- Not available with extended stiles, loose toe platform or flush unexposed ends.
- Toe space side option is not available.
- Available on most base, tall and vanity cabinets.
- Minimum cabinet depth is 15".
- Use Conestoga’s online ordering system, Con-Nex or Conestoga order entry for pricing.



Prepare for False Door Side Option (PFD)

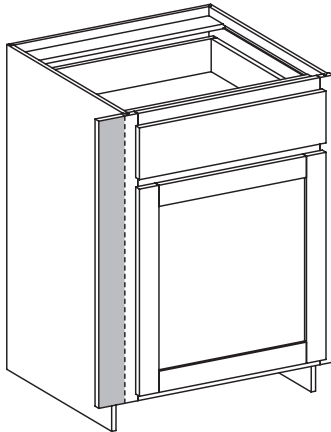


EXP	FL	FUE	SS	PFD	EXT	FT	SBR	LE	TSS	OS	NSH	WS	MI	DT	NB
				✓											

- Prepares the sides of wall, base, tall or vanity cabinets to accept 3/4" thick doors as decorative, integral cabinet sides.
- False doors not included, must be ordered separately.
- Cabinet carcass width is reduced to provide a 13/16" extension of the front frame on left, right or both sides. Overall cabinet front width remains unchanged.
- Left and right stiles are 1-1/2" wide.
- Specify: “L” (Left), “R” (Right) or “B” (Both).
- Available on most wall, base and tall cabinets.
- Concealed Inset Hinges and Pull-Out Trays (POT’s) are not available with Prepare for False Door Side Option.
- Order false door width 3/4" less than overall cabinet depth. Height of false door equals cabinet height.
- Use Conestoga’s online ordering system, Con-Nex or Conestoga order entry for pricing.

Options Key: EXP = Exposed End(s) FL = Flush End(s) FUE = Flush Unexposed End(s) SS = Shaped Side PFD = Prep for False Door
 EXT = Extended Stile(s) FT = Flush Toe SBR = Shaped Bottom Rail LE = Leg Extension TSS = Toe Space Side OS = Omit Shelving
 NSH = No Shelf Holes WS = Solid Wood Shelves MI = Matching Interior DT = Dust Top NB = Natural Finished Bottom

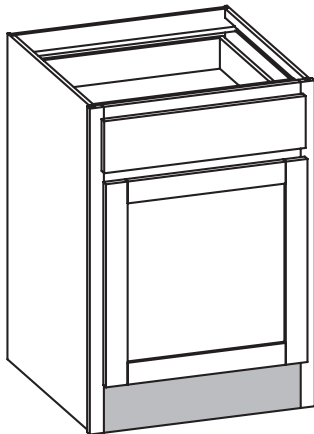
Extended Stiles (EXT)/Custom Extended Stiles (CSEXT)



EXP	FL	FUE	SS	PFD	EXT	FT	SBR	LE	TSS	OS	NSH	WS	MI	DT	NB
					✓										

- Provides 3" wide frame extension (standard) for field trimming or custom width stile extensions to avoid cutting at installation.
- If CSEXT is ordered, stile width can be specified between 1/4" and 3" in 1/16" increments.
- For standard 3" extension specify: EXL (Extended Left), EXR (Extended Right) or EXB (Extended Both).
- For custom extension specify: CSEXL (Custom Extended Left), CSEXR (Custom Extended Right) or CSEXB (Custom Extended Both) followed by the width required.
- Available on most wall, base, tall, vanity and home office units.
- Use Conestoga's online ordering system, Con-Nex or Conestoga order entry for pricing.

Flush Toe (FT)

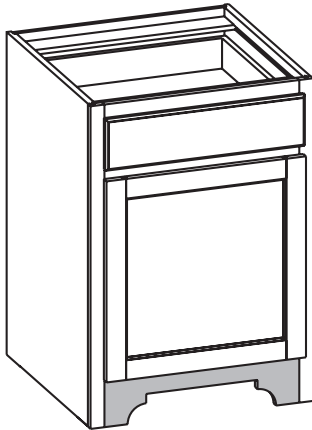


EXP	FL	FUE	SS	PFD	EXT	FT	SBR	LE	TSS	OS	NSH	WS	MI	DT	NB
						✓									

- Bottom rail height is 5-1/2".
- Specify: "FT" (Flush Toe).
- Cabinet side is manufactured without toe notch.
- 96" tall cabinets do not use a toe platform.
- Available on most base and tall cabinets.
- Use Conestoga's online ordering system, Con-Nex or Conestoga order entry for pricing.

Options Key: EXP = Exposed End(s) FL = Flush End(s) FUE = Flush Unexposed End(s) SS = Shaped Side PFD = Prep for False Door
 EXT = Extended Stile(s) FT = Flush Toe SBR = Shaped Bottom Rail LE = Leg Extension TSS = Toe Space Side OS = Omit Shelving
 NSH = No Shelf Holes WS = Solid Wood Shelves MI = Matching Interior DT = Dust Top NB = Natural Finished Bottom

Shaped Bottom Rail (SBR)



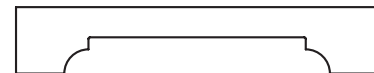
CWS6 – Elegant Arch shown

EXP	FL	FUE	SS	PFD	EXT	FT	SBR	LE	TSS	OS	NSH	WS	MI	DT	NB
							✓								

- Rail height is 5-1/2". Flush toe is standard; cabinet side is constructed without toe notch.
- Roman, Elegant, Classic and Traditional Arch designs are centered on bottom rail.
- Elegant 2 and Traditional 2 designs are available on the left only, right only or both sides of the bottom rail.
- Elegant 2 and Traditional 2 designs rise to 1-1/2" framing. These designs will not match Elegant or Traditional Arch designs.
- Elegant 2 and Traditional 2 designs are not available with the Shaped Side Option.
- To order specify using CWS designations associated with the design.
- Not available with Loose Toe Platform Option for tall cabinets.
- Available on most base, tall and vanity cabinets.
- Minimum cabinet width is 15".
- Use Conestoga's online ordering system, Con-Nex or Conestoga order entry for pricing.



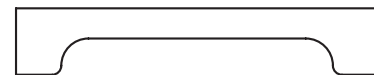
CWS4 – Roman Arch



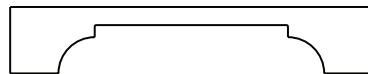
CWS6 – Elegant Arch



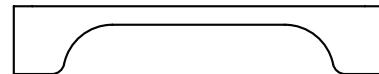
CWS5 – Classic Arch



CWS7 – Traditional Arch

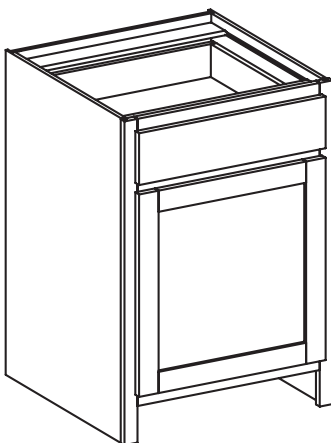


Elegant 2:
AB1B – Both
AB1L – Left
AB1R – Right



Traditional 2:
AB2B – Both
AB2L – Left
AB2R – Right

Leg Extension (LE)

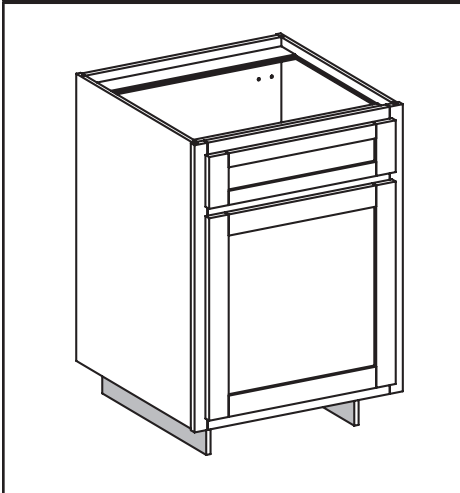


EXP	FL	FUE	SS	PFD	EXT	FT	SBR	LE	TSS	OS	NSH	WS	MI	DT	NB
								✓							

- Option extends exterior frame stiles to the floor into toe space for furniture "leg" styling.
- Specify "LE" – "L" (Left), "R" (Right) or "B" (Both).
- When "LE"- "B" is ordered with beaded inset, bottom opening will be beaded.
- Stile width is 1-1/2".
- Not available with loose toe platform or shaped bottom rail.
- Toe Space Side Option is available, not on the same side as the extension.
- Available on most base tall and vanity cabinets.
- Minimum cabinet width is 9".
- Toeboard backer available. Install prior to final cabinet installation
- Use Conestoga's online ordering system, Con-Nex or Conestoga order entry for pricing.

Options Key: EXP = Exposed End(s) FL = Flush End(s) FUE = Flush Unexposed End(s) SS = Shaped Side PFD = Prep for False Door
 EXT = Extended Stile(s) FT = Flush Toe SBR = Shaped Bottom Rail LE = Leg Extension TSS = Toe Space Side OS = Omit Shelving
 NSH = No Shelf Holes WS = Solid Wood Shelves MI = Matching Interior DT = Dust Top NB = Natural Finished Bottom

Toe Space Side Option (TSS)



EXP	FL	FUE	SS	PFD	EXT	FT	SBR	LE	TSS	OS	NSH	WS	MI	DT	NB
									✓						

- Places standard toe space depth on the left, right or both sides of most base cabinets.
- Specify “TSS” – “L” (Left), “R” (Right) or “B” (Both).
- Toe Space Side is not available on the following cabinets: BLS, BSC, BCFD, BAE, BEAL/R, RTB, RTR, RTL, TCH, DB, DBFD, DB2D, DB3D, LF2D, ORS, DWEP, REP, BFC, WSUD and FS.
- Minimum cabinet width and depth is 15". TSS both, both minimum depth is 18".
- Use Conestoga’s online ordering system, Con-Nex or Conestoga order entry for pricing.

Shelf Options

Omit Shelving (OS)

EXP	FL	FUE	SS	PFD	EXT	FT	SBR	LE	TSS	OS	NSH	WS	MI	DT	NB
										✓					

- Choose to omit interior shelving in wall, base and tall cabinets.
- Wall and Base Omit Option deletes all shelves.
- Tall cabinets: specify top, bottom or all shelves.
- Omits shelving only; if shelf holes are not required, specify No Shelf Hole Option.
- Use Conestoga’s online ordering system, Con-Nex or Conestoga order entry for pricing.

No Shelf Hole Option (NSH)

EXP	FL	FUE	SS	PFD	EXT	FT	SBR	LE	TSS	OS	NSH	WS	MI	DT	NB
											✓				

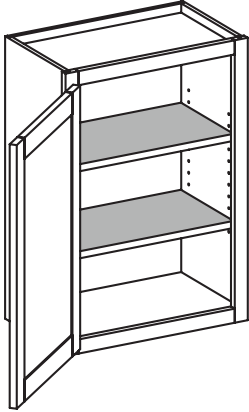
- Choose to omit line boring for shelf rests in wall, base and tall cabinets.
- Most wall and all Base Omit Option deletes all holes.
- Two Tiered Wall cabinets (TTW) and tall cabinets: specify top, bottom or all holes.
- Omit shelf holes only; if shelves are not required, also specify Omit Shelving Option.
- No upcharge.

Extra Deep Shelf Option (EDS)

- Option increases shelf depth as cabinet depth is increased.
- Shelf depth is approximately 2" less than the overall cabinet depth.
- Plywood shelves only; not available with solid wood shelf upgrade.
- Use Conestoga’s online ordering system, Con-Nex or Conestoga order entry for pricing.

Options Key: EXP = Exposed End(s) FL = Flush End(s) FUE = Flush Unexposed End(s) SS = Shaped Side PFD = Prep for False Door
 EXT = Extended Stile(s) FT = Flush Toe SBR = Shaped Bottom Rail LE = Leg Extension TSS = Toe Space Side OS = Omit Shelving
 NSH = No Shelf Holes WS = Solid Wood Shelves MI = Matching Interior DT = Dust Top NB = Natural Finished Bottom

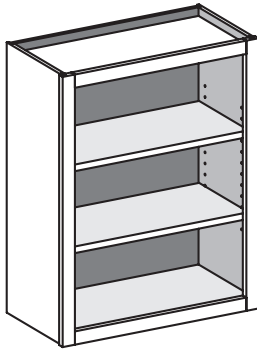
Solid Wood Shelf Upgrade (WS)



EXP	FL	FUE	SS	PFD	EXT	FT	SBR	LE	TSS	OS	NSH	WS	MI	DT	NB
												✓			

- Replaces 3/4" thick prefinished plywood shelving with 3/4" thick, prefinished solid wood shelving with a bullnose on front edge.
- Solid wood shelves available up to 18" deep.
- Solid wood shelf upgrade is not available with matching interior.
- Use Conestoga's online ordering system, Con-Nex or Conestoga order entry for pricing.

Matching Interior (MI)



EXP	FL	FUE	SS	PFD	EXT	FT	SBR	LE	TSS	OS	NSH	WS	MI	DT	NB
													✓		

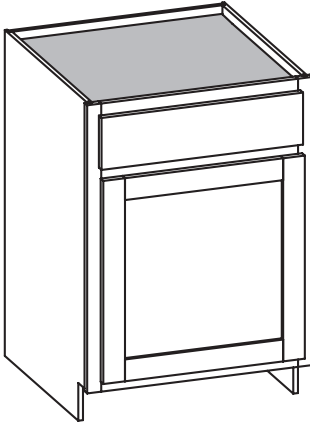
- Cabinets will have unfinished matching specie interior sides, tops, bottoms, shelves and backs.
- Specify: "MI" (Matching Interior).
- Flush unexposed ends are not available.
- Shelves are matching specie 3/4" plywood with veneer edgebanding on front edge.
- Hard Maple and Soft Maple cabinets have Hard Maple veneered interior components.
- Cabinets with matching interior standard do not have the matching interior upcharge included in the cabinet price.

Matching Specie Interior

Specie	
Cherry	Oak, Red
Maple	

Options Key: EXP = Exposed End(s) FL = Flush End(s) FUE = Flush Unexposed End(s) SS = Shaped Side PFD = Prep for False Door
 EXT = Extended Stile(s) FT = Flush Toe SBR = Shaped Bottom Rail LE = Leg Extension TSS = Toe Space Side OS = Omit Shelving
 NSH = No Shelf Holes WS = Solid Wood Shelves MI = Matching Interior DT = Dust Top NB = Natural Finished Bottom

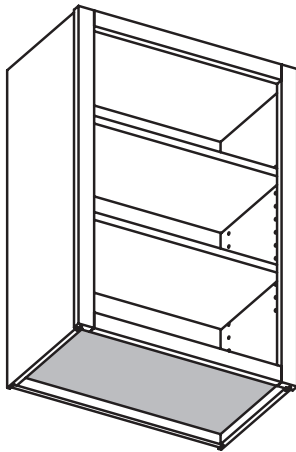
Dust Top (DT)



EXP	FL	FUE	SS	PFD	EXT	FT	SBR	LE	TSS	OS	NSH	WS	MI	DT	NB
														✓	

- Full top in place of front and back top strips.
- Specify: "DT" (Dust Top).
- Use Conestoga's online ordering system, Con-Nex or Conestoga order entry for pricing.

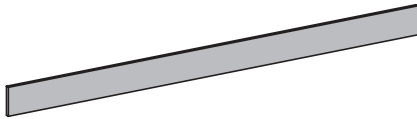
Natural Finished Bottom (NB)



EXP	FL	FUE	SS	PFD	EXT	FT	SBR	LE	TSS	OS	NSH	WS	MI	DT	NB
															✓

- Clear UV finish on Natural Birch veneer on top and bottom of wall cabinets.
- To order, specify natural finished bottom.
- Use Conestoga's online ordering system, Con-Nex or Conestoga order entry for pricing.

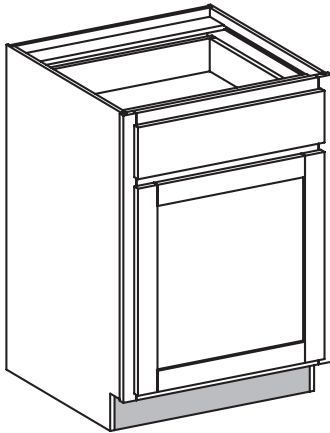
Plywood Toeboard Strips



Plywood Toeboard Strips TE5003 (96" x 4")	
Specie	
	Cherry
	Maple
	Oak, Red

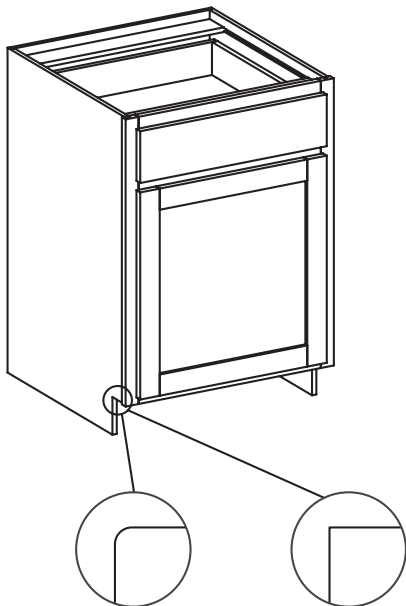
- 1/2" thick 96" x 4" plywood strips available in Cherry, Hard Maple or Red Oak.
- Order as a loose part; specify specie.
- Moulding Cut-Down Option is available on plywood Toeboard strips to combat the exorbitant fees freight carriers are charging for packages 96" or longer.
- Option cuts down toestrip to 90".
- To order specify "Cut-Down to 90 Inch" option.
- Upcharge applies; use Conestoga's online ordering system, Con-Nex or Conestoga order entry for pricing.

Plywood Toeboard Backer



- 1/2" thick unfinished plywood strips.
- Designed to fully enclose base, tall and vanity toe spaces and provide a backer for finished toeboards or mouldings.
- Backers are 4-15/16" high, sized to fit between cabinet sides in the toe space notch.
- To order, check Toeboard Backer Option.
- Use Conestoga's online ordering system, Con-Nex or Conestoga order entry for pricing.

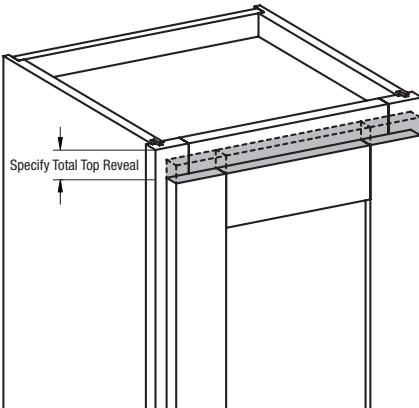
Square Toe Notch Option



Standard 1/4" radius 90° square toe notch

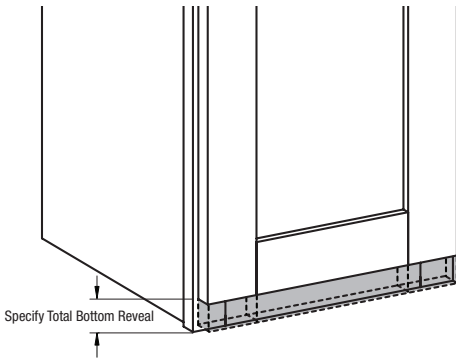
- Intersecting corner of Toe Kick Notch is 90°.
- Aids in Toeboard moulding installation.
- Available on most base, tall and vanity cabinets.
- Not available with Flush Toe or Shaped Bottom Rail Options.
- Use Conestoga's online ordering system, Con-Nex or Conestoga order entry for pricing.

Custom Top Reveal (CTR)



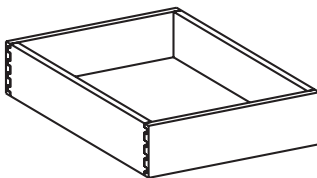
- Reduces door height to attach decorative mouldings directly to a cabinet face frame.
- Left, right and bottom reveal remain unchanged.
- Available with 1-1/4" and 1-3/8" overlay only.
1-1/4" overlay – 1/2" top reveal is standard, CTR available – 9/16" – 1-1/4". 1-3/8" overlay – 1/4" top reveal is standard, CTR available – 5/16" – 1-1/4".
- Reveal can be specified in 1/16" increments.
- Specify: "CTR" followed by the total amount of top reveal required.
- Maximum reveal is 1-1/4".
- See the Doors/Overlay Options Section for standard overlay rules.
- Use Conestoga's online ordering system, Con-Nex or Conestoga order entry for pricing.

Custom Bottom Reveal (CBR)



- Reduces door height to attach light rail or decorative mouldings directly to the bottom rail of the cabinet face frame.
- Left, right and top reveal remain unchanged.
- Available with 1-1/4" and 1-3/8" overlay only – max CBR 1-1/4".
- Reveal can be specified in 1/16" increments.
- Specify: "CBR" followed by the total amount of bottom reveal required.
- Maximum reveal is 1-1/4".
- See the Doors/Overlay Options Section for standard overlay rules.
- Use Conestoga's online ordering system, Con-Nex or Conestoga order entry for pricing.

4 – Sided Dovetail Drawer Boxes



- English dovetail construction.
- Drawer sides and ends are 5/8" thick solid Natural Birch with 1/4" Birch plycore bottoms.
- Drawer boxes are assembled and prefinished.
- Drawer slides are packaged separately from cabinets.
- Boxes will be notched and hook hole drilled accordingly, based on slide requirements. Appropriate upcharges apply.
- Hard Maple, Soft Maple and Walnut drawer boxes are available with Cabinet Systems orders; custom pricing and lead-times apply.
- Use Conestoga's online ordering system, Con-Nex or Conestoga order entry for pricing.

Drawer Slide Options

Blum TANDEM Plus BLUMOTION Integrated Soft Close

- Standard slide for drawer boxes in 12", 15", 18", 21", 27" and 30" deep cabinets.
 - Full extension zinc coated steel with rear mount screw-in bracket (15", 18", 21" or 24" deep).
 - Cabinet backs have pilot holes to locate rear mounting brackets.
 - Side mount with cleats (12", 27", or 30" deep).
 - 1/2" bottom reveal, undermount notch and hook hole required. Blum TANDEM sizing without slides also available.
 - Blum drawer slides carry a limited lifetime warranty.
 - Use Conestoga's online ordering system, Con-Nex or Conestoga order entry for pricing.
-

Ordering - Loose Parts

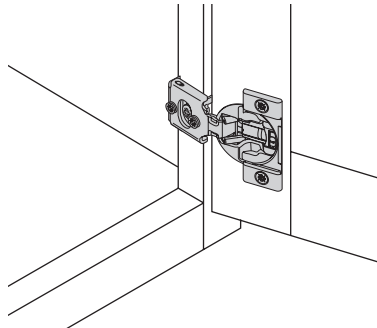
Cabinet Depth	Blum TANDEM Plus BLUMOTION
12" Deep	2100497A
15" Deep	2100498A
18" Deep	2100476A
21" Deep	2100475A
24" Deep	2100474A
27" Deep	2100499A
30" Deep	2100500A

Cabinet Hinge Options

BLUM Hinge Program Overview

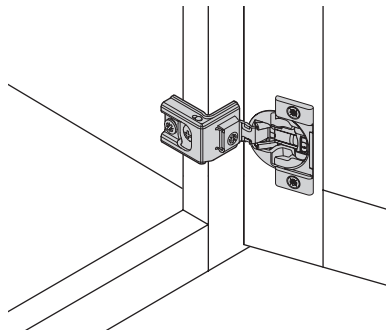
- 1-piece steel, nickel plated concealed hinges.
- Hinges packed in pairs or bulk pack and include mounting screws, installation instructions and warranty information.
- Hinge option is **only available** on door styles and edge profiles which support concealed hinge boring.
- Doors over 42" high will receive 3 hinges.
- Specify hinging left or right for single door cabinets if hinge boring option is selected.
- Blum hinges carry a limited lifetime warranty.

COMPACT BLUMOTION – Hinges with Integrated Soft Close



1/2" Overlay Hinge

Blum COMPACT BLUMOTION 38N
105° opening angle.



1-1/4" and 1-3/8" Overlay Hinge

Blum COMPACT BLUMOTION 39C
110° opening angle.

- Available for 1/2", 1-1/4" and 1-3/8" overlays.
- Soft close feature is integrated in the hinge cup itself.
- Soft close function can be easily deactivated with a switch on individual hinges as needed based on the door size and weight.
- All hinges feature side, height, and depth adjustment for fine tuning door spacing with wraparound face frame mounting for ease of installation.
- Blum COMPACT BLUMOTION hinges require Pattern "A" cup only boring.
- Note: When 1-1/4" or 1-3/8" overlay is ordered, extended stiles or loose filler strips may be required in applications where cabinets are installed next to a tall cabinet, corner cabinet or a wall.
- Hinges available packaged in pairs or bulk pack (50 hinges per pack, including mounting screws).

COMPACT BLUMOTION Hinges (per pair)

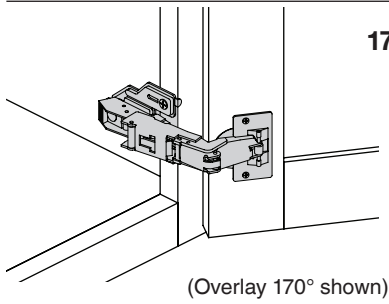
Part #	Overlay
2100150A	1/2"
2100151A	1-1/4"
2100152A	1-3/8"

COMPACT BLUMOTION Bulk Pack Hinges (50 hinges)

Part #	Overlay
2100153A	1/2"
2100154A	1-1/4"
2100155A	1-3/8"

Cabinet Hinge Options (continued)

Blum Specialty Hinges



(Overlay 170° shown)

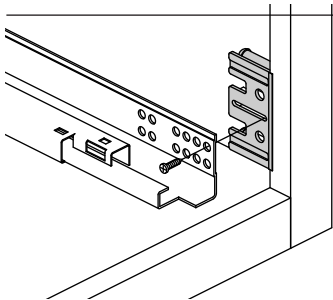
170° Hinges

- Provides full access to cabinet interiors with 170° opening angle for overlay and inset door applications.
- In 1-1/4" and 1-3/8" overlay applications, cabinets will have their doors sized as 1/2" overlay in width only.
- 2-piece, clip style hinge with side, height and depth adjustment points.
- 170° corner hinges require Pattern "B" cup only boring.
- BLUMOTION soft close feature is not available.
- Standard on WCP and BCP cabinets.
- To order loose, specify:
 - Overlay 170° – part# 2100063A.
 - Inset 170° – part# 2100509A.
- Use Conestoga's online ordering system, Con-Nex or Conestoga order entry for pricing.

Blum 71T6550 hinge
Blum 175H6000 mounting plate
 Overlay 170°

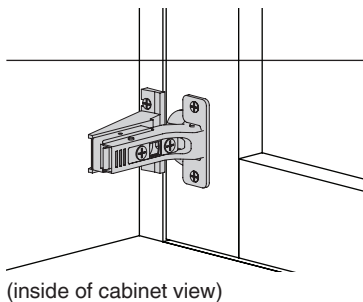
Blum 71T6650 hinge
Blum 175H5030 mounting plate
 Inset 170°

Inset Hardware



Inset Mounting Brackets for TANDEM plus BLUMOTION Drawer Slides

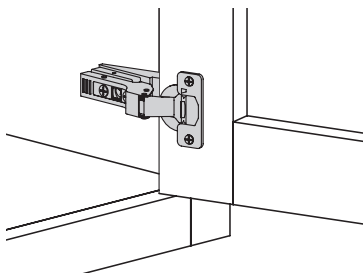
- Drawer slide adjustable mounting plate system for inset applications with framed cabinetry.
- Eliminates the need for supplemental blocking behind face frames to secure TANDEM slides.
- Sold in pairs, bracket sets include installation screws and instructions.
- Brackets afford up to 5/8" depth adjustment using standard TANDEM rear mounting brackets.
- To order loose, specify part# 2100200.
- Use Conestoga's online ordering system, Con-Nex or Conestoga order entry for pricing.



(inside of cabinet view)

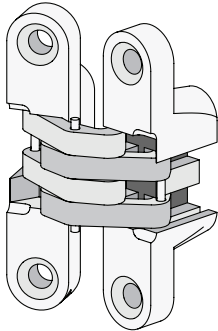
Concealed Inset Hinges

- Hinge and mounting plate system for concealed inset applications with framed cabinetry.
- Soft close feature is integrated in the hinge cup.
- Hinge packs include screws and two adjustable door stops with bumpers.
- Concealed inset hinges require Pattern "B" cup only boring.
- Door and front frame thickness must match.
- To order loose, specify part# 2100067A.
- Use Conestoga's online ordering system, Con-Nex or Conestoga order entry for pricing.

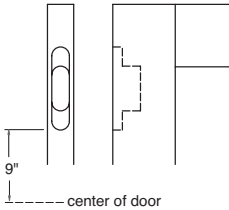


Blum 71B3650NI hinge
Blum 175H5030.21 mounting plate
 120° opening angle

Cabinet Hinge Options (continued)



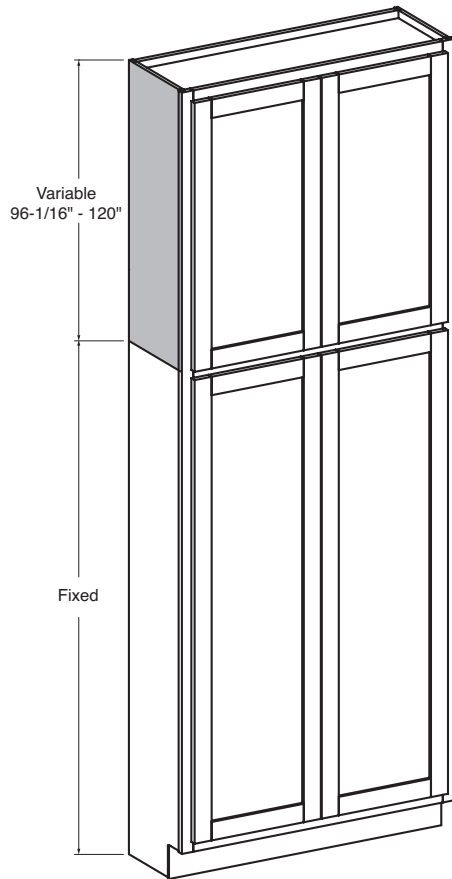
SOSS Hinge



SOSS Hinge Option

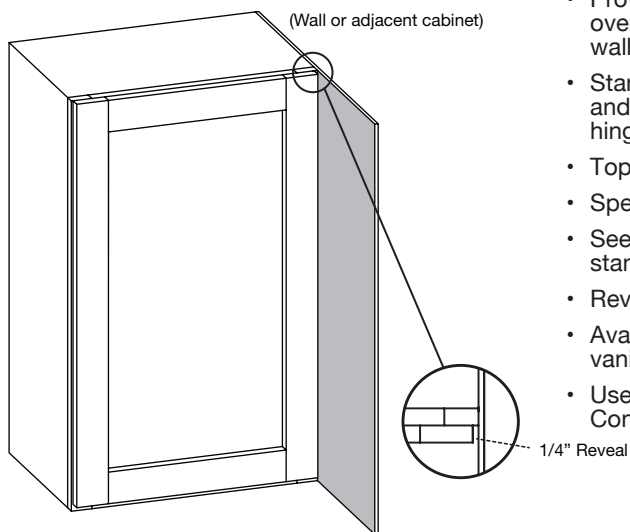
- SOSS Hinge Model 204 Invisible Hinge provides 180 degree bi-fold hinge for corner pie cut cabinets.
- Available with WCP/CSWCP, WCPLS/CSWCLPLS, BCP/CSBCP and BCPLS cabinets.
- Available in Brass or Chrome finish; specify finish when ordering.
- Includes SOSS hinge boring; Routs are placed 9" off center, measure from the vertical center of the door to the start of the rout.
- Not available on doors over 42" high or under 25-1/8" high.

Extended Height Option - Tall Cabinets



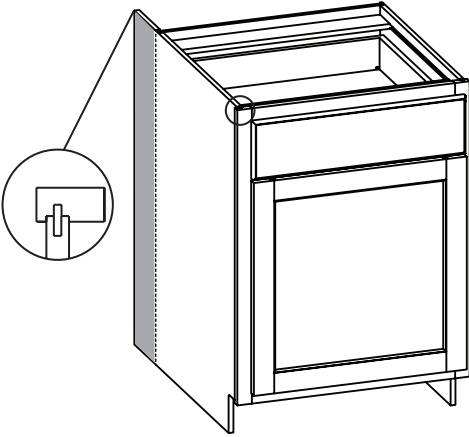
- Extended Height Option - Tall Cabinets
- Choose to extend height of Custom Size Tall Cabinets from 96-1/16" to 120".
- Available in Cherry and Hard Maple only.
- Flush ends only.
- Matching interiors not available. Natural Birch UV material will be used.
- Fixed section is based on cabinet configuration chosen.
- Separate 4" high toe platform is available in all heights and is strongly recommended for the extended height option.
- When cabinet height changes, top opening height changes accordingly.
- Maximum overall height is 120".
- 96-1/16" to 108" tall cabinets have eight shelves.
- 108-1/16" to 120" tall cabinets have nine shelves.
- Use Conestoga's online ordering system, Con-Nex or Conestoga order entry for pricing.

Increase Side Reveal (ISR)



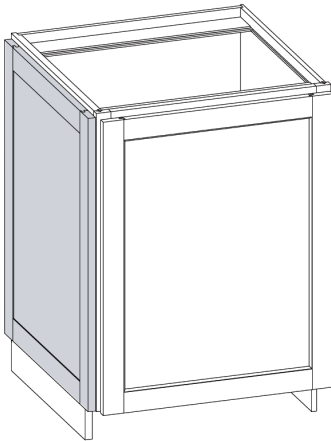
- Provides additional door clearance for 1-3/8" overlay when cabinets are installed adjacent to walls or deeper cabinetry.
- Standard reveal is changed from 1/8" to 1/4" and 1-1/4" overlay hinges will be provided when hinges are selected.
- Top and bottom reveal remain unchanged.
- Specify: "ISR" left, right or both.
- See the Doors/Drawer Fronts Section for standard overlay rules.
- Reveal increased on the hinged side of doors.
- Available on most wall, base, tall and vanity cabinets.
- Use Conestoga's online ordering system, Con-Nex or Conestoga order entry for pricing.

Extend Side Back (ESB)



- Option extends cabinet side(s) back to create island back seating space on most base cabinets.
- Extension is customizable in 1/16" increments between 1" to 15" in depth.
- Maximum extension depth is 15".
- Extension edge can be ordered with end treatment options. Specify 1-1/2" to 3" width. The extension edge will receive a spline groove and a 3/4" thick stile will be grooved for standard Cabinet Systems spline assembly.
- Order 1/4" cut-to-size plywood to finish the inside of the extension and or the back of the island configuration.
- Use Conestoga's online ordering system, Con-Nex or Conestoga order entry for pricing.

False Door Side (FDS)



- Option calculates false door for decorative side appliques based on the overlay selected.
- Available in 1-1/4" and 1-3/8" overlays only.
- Minimum cabinet depth is 12".
- Option includes Flush End.
- Available with Custom Top Reveal (CTR) and Custom Bottom Reveal (CBR) Options. Calculation rules apply.
- Specify FDS "L" (Left), "R" (Right) or "B" (Both)
- Available on most wall base and tall cabinets.
- Use Conestoga's online ordering system, Con-Nex or Conestoga order entry for pricing.