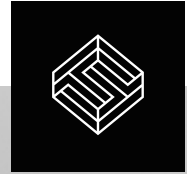


# fabuwood®

CABINETS



## Allure

Specifications Guide / Valid thru November 2024

**Please Note:** Items are subject to change without prior notice. This spec book is missing some updated information, so to stay up to date with product specifications and modification options please use our digital spec book which can be found at <https://ezpricing.fabuwood.com/specbook>

## New! Interactive Index

<a href="#">Specbook Updates</a>	<a href="#">III</a>	<b><a href="#">Base Cabinets</a></b>	<b><a href="#">26</a></b>	<b><a href="#">Cabinet Accessories</a></b>	<b><a href="#">67</a></b>
<a href="#">Construction Specifications</a>	<a href="#">IV</a>	<a href="#">Base Cabinets</a>	<a href="#">26</a>	<a href="#">Fillers</a>	<a href="#">67</a>
<a href="#">Q12®</a>	<a href="#">VI</a>	<a href="#">Sink Base Cabinets</a>	<a href="#">30</a>	<a href="#">Valances</a>	<a href="#">68</a>
<a href="#">Limited Lifetime Warranty</a>	<a href="#">VII</a>	<a href="#">Specialty Base Cabinets</a>	<a href="#">31</a>	<a href="#">Posts</a>	<a href="#">69</a>
<a href="#">Door Styles</a>	<a href="#">VIII</a>	<b><a href="#">Base Cabinets Installed Accessories</a></b>	<b><a href="#">33</a></b>	<a href="#">Pilasters &amp; Corbels</a>	<a href="#">70</a>
<a href="#">Sample Doors</a>	<a href="#">XI</a>	<b><a href="#">Tall Cabinets</a></b>	<b><a href="#">38</a></b>	<a href="#">Moldings (8')</a>	<a href="#">71</a>
<a href="#">Sales Tools</a>	<a href="#">XIII</a>	<a href="#">24" Deep Tall Pantry Cabinets</a>	<a href="#">38</a>	<a href="#">Panels</a>	<a href="#">75</a>
<b><a href="#">Wall Cabinets</a></b>	<b><a href="#">1</a></b>	<a href="#">12" Deep Tall Pantry Cabinets</a>	<a href="#">39</a>	<a href="#">Paint &amp; Touch Up Kits</a>	<a href="#">79</a>
<a href="#">12"- 27" High Wall Cabinets</a>	<a href="#">1</a>	<a href="#">Oven Cabinets</a>	<a href="#">40</a>	<b><a href="#">Hafele Lighting</a></b>	<b><a href="#">80</a></b>
<a href="#">12"- 24" High &amp; 24" Deep Wall Cabinets</a>	<a href="#">2</a>	<b><a href="#">Tall Cabinets Installed Accessories</a></b>	<b><a href="#">44</a></b>	<a href="#">Under-Cabinet Lighting</a>	<a href="#">80</a>
<a href="#">30" High Wall Cabinets</a>	<a href="#">3</a>	<b><a href="#">Vanity Cabinets</a></b>	<b><a href="#">48</a></b>	<b><a href="#">Modifications</a></b>	<b><a href="#">87</a></b>
<a href="#">36" High Wall Cabinets</a>	<a href="#">5</a>	<a href="#">Vanities</a>	<a href="#">4</a>	<a href="#">Cut Modifications</a>	<a href="#">84</a>
<a href="#">42" High Wall Cabinets</a>	<a href="#">7</a>	<a href="#">Vanity Platforms</a>	<a href="#">53</a>	<a href="#">Pipe Chase</a>	<a href="#">88</a>
<a href="#">Glass Doors</a>	<a href="#">9</a>	<b><a href="#">Storage Accessories</a></b>	<b><a href="#">53</a></b>	<a href="#">Create Columns &amp; Returns</a>	<a href="#">90</a>
<a href="#">Doors Prepped for Glass</a>	<a href="#">10</a>	<a href="#">Waste Solutions</a>	<a href="#">53</a>	<a href="#">Custom Doors</a>	<a href="#">92</a>
<a href="#">Specialty Wall Cabinets</a>	<a href="#">11</a>	<a href="#">Base Accessories</a>	<a href="#">54</a>	<a href="#">Customizations</a>	<a href="#">93</a>
<a href="#">Microwave Wall Cabinets</a>	<a href="#">14</a>	<a href="#">Base &amp; Wall Accessories</a>	<a href="#">57</a>	<a href="#">Upgrades</a>	<a href="#">101</a>
<a href="#">Wine Cabinets</a>	<a href="#">16</a>	<a href="#">Wall Accessories</a>	<a href="#">58</a>	<a href="#">Loose Parts</a>	<a href="#">102</a>
<b><a href="#">Hoods</a></b>	<b><a href="#">17</a></b>	<a href="#">Sink Accessories</a>	<a href="#">60</a>	<b><a href="#">Height Alignment Guide</a></b>	<b><a href="#">104</a></b>
<a href="#">Euro &amp; Farmhouse Hoods</a>	<a href="#">17</a>	<a href="#">Drawer Accessories</a>	<a href="#">61</a>	<b><a href="#">SKU Glossary</a></b>	<b><a href="#">108</a></b>
<a href="#">Signature Hoods</a>	<a href="#">18</a>	<a href="#">Vanity Accessories</a>	<a href="#">65</a>		
<a href="#">Curved Artisan Hoods</a>	<a href="#">19</a>				
<a href="#">Arched Hoods</a>	<a href="#">20</a>				
<a href="#">Hood Liner Specifications</a>	<a href="#">21</a>				
<a href="#">Hood Ventilation Systems</a>	<a href="#">24</a>				

## Specbook Updates

- **New! Door Styles & Finishes:**
  - » **Galaxy Dove & Luna Timber** door styles now available [pg. VIII](#)
  - » **Graphite Black & Pistachio Green** added to the Designer Collection Colors [pg. XI](#)
- **New! Sales Tools:**
  - » 2024 Style Guide Brochure [pg. XIV](#)
  - » Vanity Brochure [pg. XIV](#)
  - » Hafele LED Tabletop Display Board [pg. XIV](#)
- **New! Wall Cabinets:**
  - » W421224LU & W481224LU Lift-Up Refrigerator Cabinet [pg. 2](#)
- **New! Vanity Platform Accessory Program** [pg. 54](#)
- **New! Cabinet Accessories:**
  - » MLU-B18 Heavy-Duty Mixer Lift-Up for B18FD [pg. 59](#)
  - » UKBPO-B15 BLUM Utensil Knife Block Pull-Out for B15FD [pg. 60](#)
  - » DPS-18/27 & DPS-30/33 Drawer Pegboard System [pg. 66](#)
- **New! Decorative Accessories:**
  - » CLM-XX12 12"D Wall Columns [pg. 82](#)
- **Hafele Lighting Additions:**
  - » LED 2-1/4" PUCK: Surface-Mount Puck Lighting, 2-1/4" diam. [pg. 84](#)
  - » LED CAB INT 48" STRIP: 48" Trimmable Lighting Strip [pg. 85](#)
- **New! Modification:**
  - » 2-TONE FINISH modification for Allure Hoods [pg. 105](#)
- **New! Loose Part:**
  - » AS-B09 Allure Shelf for B09 [pg. 108](#)
- **Height Alignment Guide** [pg. 109](#)

## Construction Specifications

### Doors and Drawer Fronts:

Doors and drawer fronts in the Allure line are made of solid wood stiles and rails joined together using mortise and tenon joints with an MDF center panel to reduce the possibility of shrinkage and is the preferred material for painted finishes.

### Hinges:

All Allure door styles come standard with Blum Compact Clip Concealed Hinges and feature Quick-Release Technology with Blumotion Soft-close. Hinges are six-way adjustable and open at 110°.

Please note: Lazy Susan, Easy Reach, and Pie Cut cabinets do not feature the soft-close mechanism.

### Drawers:

The Allure line includes a 5/8" thick solid wood dovetail drawer box with a 3/8" plywood bottom attached to Tandem plus Blumotion full extension soft-closing concealed drawer runners. Interior drawer height is 3".

### Shelving:

18mm (3/4") thick select veneered plywood with matching wood veneer edge banding is used on all wall, tall, and base cabinetry where applicable. The adjustable shelves are supported by metal shelf clips. All standard depth base cabinetry includes an 18" deep adjustable shelf, wall cabinetry 10 5/8" deep adjustable shelves, and tall cabinetry 21" deep adjustable shelves.

### Cabinet Sides, Backs, Tops and Bottoms:

1/2" thick veneered plywood with natural finished interiors, dovetailed side panels engineered to create a solid integrated cabinet box. Backs are stapled and screwed into place for additional support.

### Face Frame:

3/4" x 1 1/2" solid wood stiles and rails jointed with glue and dowels. Back of face frames are dovetail grooved to accept side panels. The face frame is engineered so that the bottoms of all base and wall cabinets are flushed with the top inside edge of the face frame creating a custom look.

### Toe Kick:

Base and tall cabinets are constructed with 3/4" x 4 1/2" unfinished plywood\* toe kick. Additional 8-foot lengths of 1/4" toe kicks are available in matching color to our cabinetry.

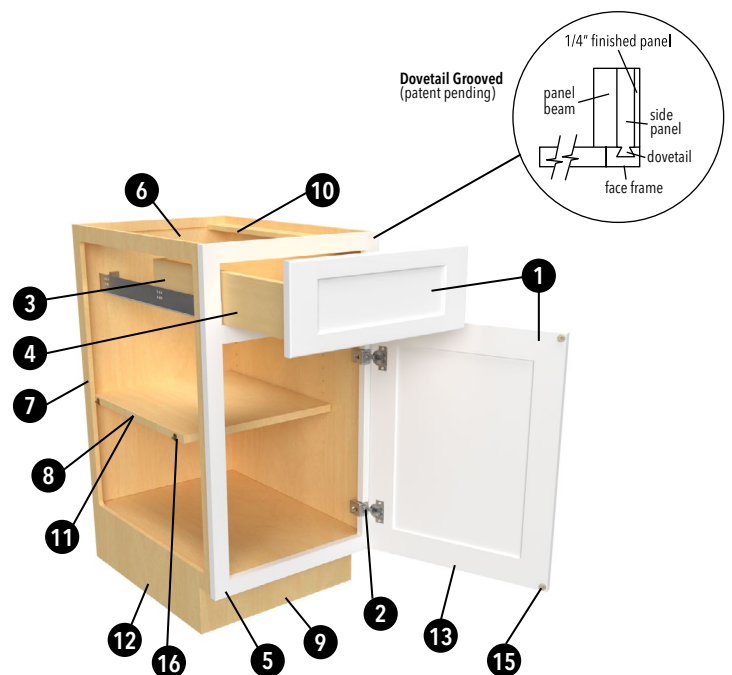
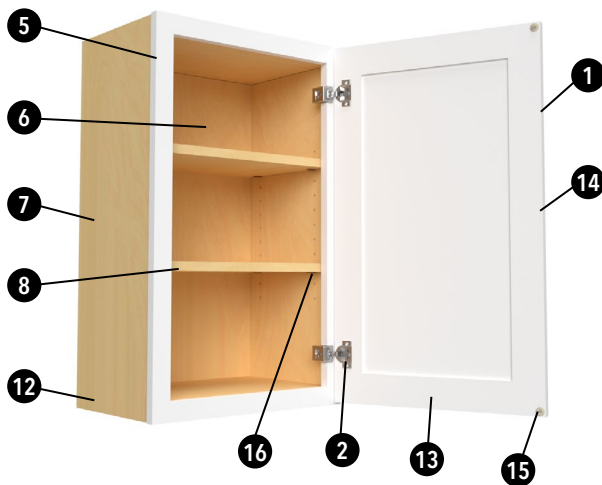
### Panel Beams:

2 1/2" x 1/2" plywood\* panel beam is fastened into a dovetail groove at the top of each base cabinet to ensure a straight fully integrated side, and for use of support and mounting of a countertop.

\* May come in finish other than natural ply, this does not denigrate the quality of material or structure of the cabinet.

## Construction Specifications

- 1 Solid wood door and drawer front frames are mortise and tenon.
- 2 Compact Clip Hinges with Quick-Release technology. Includes Blumotion soft-close mechanism integrated in six-way adjustable hinges. Hinges open at 110°
- 3 5/8" solid wood dovetail drawer with a 3/8" plywood bottom features Tandem plus Blumotion full extension concealed drawer runners.
- 4 3" interior drawer height.
- 5 3/4" x 1 1/2" solid wood face frame.
- 6 1/2" veneered plywood back with a natural finished interior.
- 7 1/2" unfinished plywood side panels dovetailed into face frame.
- 8 18mm (3/4") veneered plywood adjustable shelving with matching wood veneer edge banding.
- 9 3/4" x 4 1/2" unfinished plywood toe kick attached to cabinet. Matching 1/4" Toe Kick cover to be ordered separately.
- 10 2 1/2" x 1/2" plywood\* panel beams dovetailed into the side panels for strength and stability.
- 11 Base cabinet has 18" deep shelf.
- 12 When placing an order, need to select exposed sides; Right, Left or Both. A 1/4" select medium-density fiberboard panel will be applied to the selected side(s), and the side will be near flush finished.
- 13 Doors and drawers are full overlay
- 14 Wall cabinet has a full overlay door. Crown molding should be installed using STRM-8 Starter Molding or similar molding bracing.
- 15 Rubber bumpers for door and drawer fronts.
- 16 Adjustable shelf clips.



\* May come in finish other than natural ply, this does not denigrate the quality of material or structure of the cabinet.

Featuring





## What exactly defines a Q12 cabinet?

To fully achieve Q12 eligibility, a cabinet must encompass twelve unique standards of quality. Read below to learn more about the twelve fundamental pillars that establish the Q12 qualification:

### Q1: CAREFULLY SELECTED ELEMENTS

To ensure the absolute integrity of our product, each element is carefully selected. We start by choosing only "Grade-A" materials and make no compromises along the way.

### Q2: PRO-TOUCH TECHNIQUES

Our Allure and Illume cabinets offer high-end finishes that are as beautiful as they are durable and practical. Fabuwood's distinctive pro-touch techniques allow for a sustainable and resilient cabinet finish that is not only easy to clean but will retain its beautiful luster for years.

### Q3: ADVANCED CONSTRUCTION

Our Allure Dovetail and Illume Threespine® construction methods are superior, innovative, and built for a lifetime of use. Fabuwood offers cabinets of the utmost strength, on par with the highest industry standards. Our attention to detail, coupled with advanced construction techniques, means a long lasting, superior quality cabinet every time.

### Q4: ANTI-WARP STRUCTURES

All our cabinets are engineered in a way that eliminates warping, ensuring the cabinets hold up against elemental pressures. Crafted to perfection, every detailed component is created with unfailing durability. Each cabinet we produce is held to a high standard, ensuring long-lasting reliability.

### Q5: METAL SHELF CLIPS

To maintain a maximum level of stability that preserves a shelf's longevity, these metal shelf clips assure sturdiness and durability. With this feature your shelves are sure to stand the test of time.

### Q6: TOUGH BACK BUILDS

For superior structural longevity, the back builds on the Allure and Illume series are built tough and easy to install. Our rigorous pressure testing guarantees that our products won't give in.

### Q7: FLUSH FIT

To achieve an attractive appearance that is convenient and practical, our Q12 cabinets are built with a flush fit to ensure smooth surfaces and easy in-and-out access.

### Q8: UNIQUE INTERIORS

The interior finish of our cabinets is as important as the exterior. Fabuwood offers high end, unique interior finishes for a clean and sophisticated look.

### Q9: ONE-CLICK INSTALLATION

In addition to our soft-close action feature, the cutting-edge Blum Compact Clip Hinge allows for lightning-fast one-click installation and release.

### Q10: FLUID FULL-EXTENSION

Our cabinets are built with smooth full-extension glides to guarantee an enhanced running action that maximizes its storage to full capacity. Fabuwood manufactures its cabinets with Blum's tandem plus runners and soft-closing technology, utilizing space while also preventing damage and deterioration.

### Q11: EZ LEVEL DRAWER FRONTS

On both framed and frameless products, to achieve an aesthetically graceful balance and ensure proper drawer alignment and function, our cabinets use an effortless system, utilizing a degree of mechanical precision for installing perfectly positioned drawer faces.

### Q12: LIMITED LIFETIME WARRANTY

Our integrity-defining limited lifetime warranty is our commitment to quality and excellence. The warranty reflects our pledge to always back our cabinets while delivering an immaculate product. With precise crafting techniques, Q12 cabinets are poised for a lifetime of use.

## Limited Lifetime Warranty

### COVERAGE OF WARRANTY

Fabuwood Cabinetry Corp. ("Fabuwood") is pleased to provide the following limited warranty to the first residential purchaser on all cabinets sold in the United States and Canada by an authorized Fabuwood dealer. This warranty does not cover cabinets sold or shipped outside of the United States and Canada. A First Residential Purchaser ("First Residential Purchaser") is a person who purchases and installs the cabinets in a dwelling that is owned and used by that person as a primary or secondary home, or, in the case of a developer or builder, this limited warranty may be assigned to the initial purchaser who uses the dwelling as a primary or secondary home. This warranty, however, is not transferable to subsequent owners of the home. This limited warranty is subject to all limitations, exclusions, disclaimers and procedures set forth herein.

**LIMITED LIFETIME WARRANTY** (Only on Allure, Illume, Value Premium, and Quest series cabinets): Fabuwood warrants to the First Residential Purchaser that all cabinets purchased from Fabuwood will be free from all unnatural defects in material and workmanship in accordance with Fabuwood's Quality Standards under normal residential use as long as the First Residential Purchaser owns the home in which such cabinets are installed.

### EXCLUSIONS

THIS WARRANTY SUPERSEDES ANY AND ALL PREVIOUS WARRANTIES BY FABUWOOD AND CONSTITUTES THE EXCLUSIVE REMEDY AGAINST FABUWOOD FOR ALL DEFECTS, DAMAGES AND WORKMANSHIP. THERE ARE NO IMPLIED WARRANTIES EXTENDING BEYOND THE TERMS OF THIS WARRANTY. TO THE MAXIMUM EXTENT PERMITTED BY APPLICABLE LAW, FABUWOOD SHALL NOT BE LIABLE FOR ANY INDIRECT, SPECIAL, PUNITIVE, INCIDENTAL OR CONSEQUENTIAL COSTS, EXPENSES OR DAMAGES (INCLUDING LOST PROFITS), EVEN IF THIS LIMITED LIFETIME WARRANTY IS DEEMED TO HAVE FAILED OF ITS ESSENTIAL PURPOSE. SOME STATES DO NOT ALLOW THE EXCLUSION OR LIMITATION OF INCIDENTAL OR CONSEQUENTIAL DAMAGES, SO THE ABOVE LIMITATION OR EXCLUSION MAY NOT APPLY TO YOU. THIS WARRANTY GIVES YOU SPECIFIC LEGAL RIGHTS, AND YOU MAY ALSO HAVE OTHER RIGHTS, WHICH VARY FROM STATE TO STATE. IT IS POSSIBLE THAT ONE OR MORE OF THE LIMITATIONS AND EXCLUSIONS IN THIS WARRANTY MAY NOT APPLY TO YOU. THE LIMITED LIFETIME WARRANTY ON ALLURE, ILLUME, VALUE PREMIUM AND QUEST SERIES CABINETS APPLIES ONLY TO PRODUCTS PURCHASED ON OR AFTER OCTOBER 1, 2024. VALUE PREMIUM & QUEST SERIES CABINETS PURCHASED PRIOR TO OCTOBER 1, 2024, AND ALLURE & ILLUME SERIES CABINETS PURCHASED BEFORE JANUARY 26, 2023, ARE NOT INCLUDED IN THE LIMITED LIFETIME WARRANTY AND ARE SUBJECT TO FABUWOOD'S LIMITED 5-YEAR WARRANTY.

### LIMITATIONS

This warranty shall become void if the cabinets, cabinetwork, drawer slides or hinges are modified from its original form, improperly installed or damaged prior to or during the installation, or used in any way other than for residential purposes. This warranty covers only parts and materials of the cabinets as supplied by Fabuwood. This warranty does not cover any products used or installed in connection with cabinets, such as gas or electric appliances, countertops, or plumbing fixtures. It also does not cover Blum hinges or any other third-party manufactured accessories or enhancements.

This warranty does not apply to products installed in locations that do not maintain year-round environmental controls. This warranty shall not apply to damages caused by transportation, storage, dirt, chemicals, exposure to moisture, humidity or excessive heat or cold, nor does it cover the effects arising from normal wear and tear, misuse, neglect, accidents, alterations, improper use or failure to maintain properly, house settling, or acts of God. No installer, retailer, distributor, agent or employee of Fabuwood has the authority to alter the obligations or limitations in this warranty.

### QUALITY STANDARDS

This warranty covers all damages and unnatural defects that are deemed as such under the Fabuwood Quality Standards. The Fabuwood Quality Standards, which will be provided to you by your Fabuwood dealer upon request, should be reviewed at the time a claim for warranty service is being considered. Fabuwood reserves the right to modify or change the Fabuwood Quality Standards at any time without notice.

### DISCLAIMERS

The following is a brief recap of some of the characteristics of the wood and finishes on the cabinets you are about to purchase. Please read them carefully. If some of these characteristics concern you, please choose something else. We bring these characteristics to your attention so you will realize that Fabuwood will not be held responsible for these variations in your cabinetry. It is important to note that wood products claimed as defective are most often the result of

atmospheric conditions such as excess moisture and humidity. Fabuwood strongly recommends testing the intended location of the products for such conditions prior to installation.

**WOOD AND COLOR VARIATIONS:** Wood is a product of nature, and since no two trees are alike, cabinets may vary in color, texture and grain. Wood characteristics naturally occurring such as variations in color, grain, mineral streaks, pinholes and knots are not considered defects. Color variations in cabinets are also a natural occurrence due to species, age, character of cabinets, and exposure to UV light, smoke, certain household cleaners, sunlight, extreme temperatures, and other environmental conditions. For these reasons, new and/or replacement cabinets may not match display samples and/or existing cabinets. This may result in overall color variations and is not considered a defect.

**WOOD DOORS, DRAWER FRONTS, AND FACE FRAMES:** Wood by nature will undergo expansion and contraction movements over the years as it compensates and adjusts to ever changing atmospheric humidity and temperature conditions. It is very common for center panels on doors to shrink, expand or move during these changes. Typically, the panel will return to its normal position within a year once it has adjusted to seasonal changes. It is for these same reasons that it is very common for doors to warp during these periods. Doors that are warped up to 1/4" are not considered defective. [Note: It is advisable to check if the door was properly installed, since doors that appear warped are very often the result of improper installation.] Painted doors, drawer fronts, and face frames may eventually have visible cracking around the joint areas, and cabinet colors may darken or lighten over time. These variations are considered to be the nature of the material in relation to their environmental exposure and are not covered under this Limited Lifetime Warranty.

**PAINTED FINISHES:** Plywood is a non-porous, smooth grained wood. Additionally, wood by nature undergoes periods of expansion and contraction while it adjusts to atmospheric conditions mentioned above. As such, finish stress lines may become visible on painted cabinets especially at the joints. Any such occurrence is not considered a defect.

**GLAZED FINISHES:** A glazed finish by character is an uneven finish. Some edges and profiles will be larger than others and glazing may vary cabinet to cabinet, door to drawer and item to item. This may result in overall color, texture, and finish variations but these are not considered defects.

### WARRANTY PERFORMANCE

If a defect does occur within the terms and conditions of this warranty such defective part will be repaired or replaced by Fabuwood at its sole discretion. Fabuwood will not provide or pay for the cost of removal of defective product, transportation of defective, repaired or replaced product or installation of repaired or replaced product. If it is not commercially feasible to repair or replace a defective product, we may refund the original price paid by you for the defective product or provide a credit towards a similar type of product sold by us. Fabuwood will not be responsible for any shipping damages to the defective, replaced or repaired product. If defective item has been discontinued or is not available at the time, Fabuwood reserves the right to replace the item with the most similar item available in Fabuwood's inventory at that time. Fabuwood reserves the right to alter design, specifications and material without obligation to make similar changes to products previously manufactured. Fabuwood cannot guarantee that the finish of any replacement will exactly match the finish and appearance of the defective item due to the natural ageing process of the wood and finishes of the cabinets. Fabuwood may require at its discretion that the customer submit a clear photo, or that a company representative inspect the item being claimed before honoring this warranty.

### CLAIMS

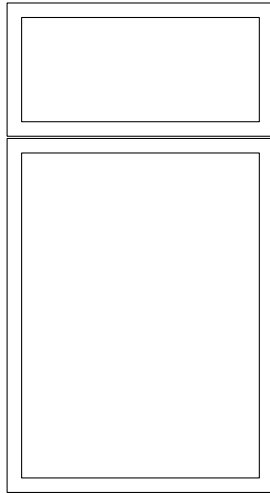
For a warranty claim made by the First Residential Purchaser to be considered, please contact the original Fabuwood-authorized dealer, who must file the claim through the Fabuwood EZ pricing system. In the event that the original dealer cannot be identified, or they have closed down, the warranty claim must be emailed to [customerservice@fabuwood.com](mailto:customerservice@fabuwood.com). The email should explain the issue and include pictures showing the claimed defects. Feel free to call +1 201-432-6555 ext. 1 for assistance.

### NOTE

Please do not send back any items to Fabuwood prior to receiving proper Replacement Material Authorization ("RMA") from Warranty Support. Fabuwood takes no responsibility on any items sent back to Fabuwood without proper RMA.

Last Modified October 1, 2024: Change to include Value Premium, and Quest series cabinets under the Limited Lifetime Warranty. Previously Modified January 26, 2023: Change of the warranty on Allure and Illume series cabinets from a Limited 5-year Warranty to the Limited Lifetime Warranty.

## Door Styles



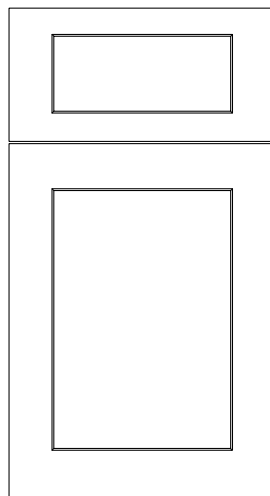
### LUNA

COLOR	FINISH
Dove	Paint
Kona*	Stain
Indigo	Paint
<b>NEW!</b> Timber*	Stain

- Full Overlay door Door / drawer stiles and rails are 3/4" wide
- Constructed with mortise and tenon joints
- Doors and Drawer fronts in the Luna door style are made with either Solid Wood Stiles & Rails (Stained Finishes) or HDF Stiles & Rails (Painted Finishes) and joined with a 5/8" thick Moisture-Resistant MDF/veneer center panel to reduce the possibility of shrinkage.
- 5-piece recessed panel drawer front matches door design and detail.
- Blum Compact Clip Concealed Hinges with Quick-Release Technology and Blumotion Soft-close (Blum Model# 31C3355B.20)
- Tandem plus Blumotion full extension concealed drawer runners (Blum Model #563H)

\* **FINISH DISCLAIMER:**

**Due to the nature of wood and the complex finishing processes used to generate stained finishes, there may be variations in color which are considered normal.**



### GALAXY

COLOR	FINISH
<b>NEW!</b> Dove	Paint
Frost	Paint
Indigo	Paint
Linen	Paint
Nickel	Paint
Cobblestone*	Stain
Horizon*	Stain
Timber*	Stain

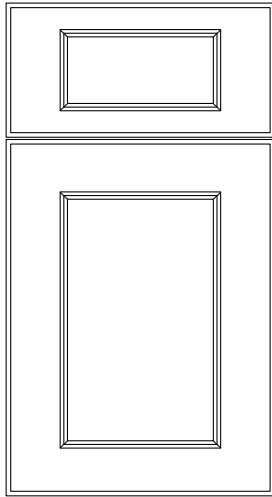
- Full overlay door
- Stiles and rails are 3/4" thick and 2 1/2" wide
- Constructed with mortise and tenon joints
- Doors consist of 3/8" thick recessed MDF/veneer center panel
- 5-piece drawer fronts are 1/2" thick recessed MDF/veneer center panel that match door design and detail
- Blum Compact Clip Concealed Hinges with Quick-Release Technology and Blumotion Soft-close (Blum Model# 31C3355B.20)
- Tandem plus Blumotion full extension concealed drawer runners (Blum Model #563H)

\* **FINISH DISCLAIMER:**

**Due to the nature of wood and the complex finishing processes used to generate stained finishes, there may be variations in color which are considered normal.**



## Door Styles



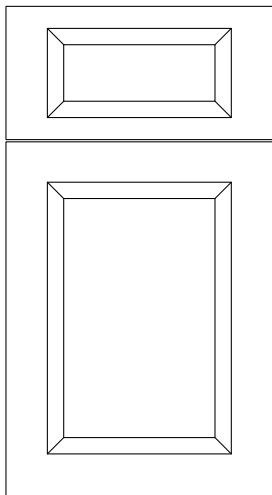
### FUSION

COLOR	FINISH
Dove	Paint
Nickel	Paint
Oyster	Paint
Stone	Paint
Kona*	Stain

- Full overlay door
- Stiles and rails are ¾" thick and 3" wide
- Constructed with mortise and tenon joints
- 3/8" thick reversed MDF / veneer center panel
- 5-piece recessed panel drawer front matches door design and detail.
- Blum Compact Clip Concealed Hinges with Quick-Release Technology and Blumotion Soft-close (Blum Model# 31C3355B.20)
- Tandem plus Blumotion full extension concealed drawer runners (Blum Model #563H)

\* **FINISH DISCLAIMER:**

**Due to the nature of wood and the complex finishing processes used to generate stained finishes, there may be variations in color which are considered normal.**



### ONYX

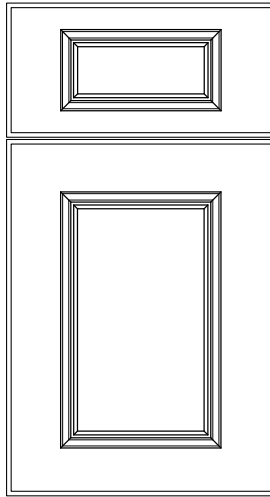
COLOR	FINISH
Frost	Paint
Cobblestone*	Stain
Horizon*	Stain

- Full overlay door
- Stiles and rails are ¾" thick and 3" wide
- Constructed with mortise and tenon joints
- 3/8" thick reversed MDF / veneer center panel
- 5-piece recessed panel drawer front matches door design and detail
- Blum Compact Clip Concealed Hinges with Quick-Release Technology and Blumotion Soft-close (Blum Model# 31C3355B.20)
- Tandem plus Blumotion full extension concealed drawer runners (Blum Model #563H)

\* **FINISH DISCLAIMER:**

**Due to the nature of wood and the complex finishing processes used to generate stained finishes, there may be variations in color which are considered normal.**

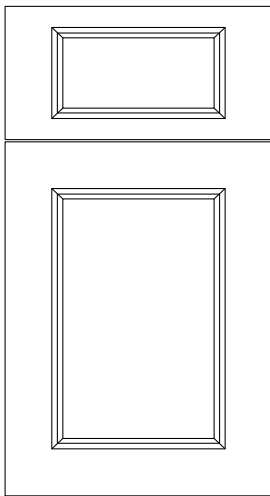
## Door Styles



### IMPERIO

COLOR	FINISH
Dove	Paint
Nickel	Paint

- Full overlay door
- Frames are solid wood  $\frac{3}{4}$ " thick and 3" wide
- Constructed with mortise and tenon joints
- MDF center panel is  $\frac{5}{8}$ " thick
- An **applied moulding** is added to the inside edge of the door frame
- 5 piece recessed panel drawer front matches door design and moulding detail
- **Cabinet installed next to a wall or deeper cabinet requires a  $\frac{1}{4}$ " filler for full door opening**
- Blum Compact Clip Concealed Hinges with Quick-Release Technology and Blumotion Soft-close (Blum Model# 31C3355B.20)
- Tandem plus Blumotion full extension concealed drawer runners (Blum Model #563H)

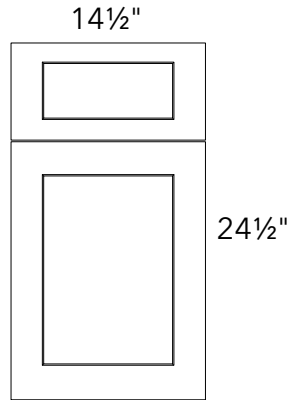


### NEXUS

COLOR	FINISH
Frost	Paint

- Full overlay door
- Stiles and rails are  $\frac{3}{4}$ " thick and  $3\frac{1}{4}$ " wide
- Constructed with mortise and tenon joints
- $\frac{3}{8}$ " thick reversed MDF center panel
- 5-piece recessed panel drawer front matches door design and detail.
- Blum Compact Clip Concealed Hinges with Quick-Release Technology and Blumotion Soft-close (Blum Model# 31C3355B.20)
- Tandem plus Blumotion full extension concealed drawer runners (Blum Model #563H)

## Sample Doors



### DOOR SAMPLES WITH DRAWER FRONT

ITEM	DESCRIPTION
SDLD	LUNA DOVE
SDLK	LUNA KONA
SDLI	LUNA INDIGO
SDLTI	LUNA TIMBER
SDGF	GALAXY FROST
SDGL	GALAXY LINEN
SDGN	GALAXY NICKEL
SDGI	GALAXY INDIGO
SDGT	GALAXY TIMBER
SDGH	GALAXY HORIZON
SDGC	GALAXY COBBLESTONE
SDGD	GALAXY DOVE
SDFN	FUSION NICKEL
SDFD	FUSION DOVE
SDFO	FUSION OYSTER
SDFS	FUSION STONE
SDFK	FUSION KONA
SDOF	ONYX FROST
SDOH	ONYX HORIZON
SDOC	ONYX COBBLESTONE
SDID	IMPERIO DOVE
SDIN	IMPERIO NICKEL
SDNF	NEXUS FROST

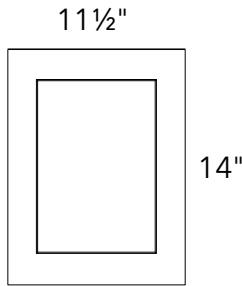
### ALLURE DESIGNER COLOR DOOR SAMPLES WITH DRAWER FRONT

ITEM	DESCRIPTION
SDLCW	LUNA CLOUD WHITE
SDLDB	LUNA DENIM BLUE
SDLHG	LUNA HUNTER GREEN
SDLOB	LUNA OCEAN BLUE
SDLPB	LUNA PITCH BLACK
SDLSG	LUNA SAGE GREEN
SDGCW	GALAXY CLOUD WHITE
SDGDB	GALAXY DENIM BLUE
SDGHG	GALAXY HUNTER GREEN
SDGOB	GALAXY OCEAN BLUE
SDGPB	GALAXY PITCH BLACK
SDGSG	GALAXY SAGE GREEN
<b>NEW!</b> SDGGB	GALAXY GRAPHITE BLACK
<b>NEW!</b> SDGPG	GALAXY PISTACHIO GREEN
SDFCW	FUSION CLOUD WHITE
SDFDB	FUSION DENIM BLUE
SDFHG	FUSION HUNTER GREEN
SDFOB	FUSION OCEAN BLUE
SDFPB	FUSION PITCH BLACK
SDFSG	FUSION SAGE GREEN
SDOCW	ONYX CLOUD WHITE
SDODB	ONYX DENIM BLUE
SDOHG	ONYX HUNTER GREEN
SDOOB	ONYX OCEAN BLUE
SDOPB	ONYX PITCH BLACK
SDOSG	ONYX SAGE GREEN
SDICW	IMPERIO CLOUD WHITE
SDIDB	IMPERIO DENIM BLUE
SDIHG	IMPERIO HUNTER GREEN
SDIOB	IMPERIO OCEAN BLUE
SDIPB	IMPERIO PITCH BLACK
SDISG	IMPERIO SAGE GREEN
SDNCW	NEXUS CLOUD WHITE
SDNDB	NEXUS DENIM BLUE
SDNHG	NEXUS HUNTER GREEN
SDNOB	NEXUS OCEAN BLUE
SDNPB	NEXUS PITCH BLACK
SDNSG	NEXUS SAGE GREEN

• A Finish Surcharge will be applied to Designer Collection Sample Doors

**Pricing Note:** Sales Tools are NET pricing; virtual multiplier applies to these items. Final price listed on Quote/Order will reflect the virtual multiplier.

## Sample Doors



### SMALL DOOR SAMPLES

ITEM	DESCRIPTION
SDLD-2	LUNA DOVE
SDLK-2	LUNA KONA
SDLI-2	LUNA INDIGO
SDLI-2	LUNA TIMBER
SDGF-2	GALAXY FROST
SDGL-2	GALAXY LINEN
SDGN-2	GALAXY NICKEL
SDGI-2	GALAXY INDIGO
SDGT-2	GALAXY TIMBER
SDGH-2	GALAXY HORIZON
SDGC-2	GALAXY COBBLESTONE
SDGD-2	GALAXY DOVE
SDFN-2	FUSION NICKEL
SDFD-2	FUSION DOVE
SDFK-2	FUSION OYSTER
SDFO-2	FUSION STONE
SDFD-2	FUSION KONA
SDOF-2	ONYX FROST
SDOH-2	ONYX HORIZON
SDOC-2	ONYX COBBLESTONE
SDID-2	IMPERIO DOVE
SDIN-2	IMPERIO NICKEL
SDNF-2	NEXUS FROST

### ALLURE DESIGNER COLOR SMALL DOOR SAMPLES

ITEM	DESCRIPTION
SDLCW-2	LUNA CLOUD WHITE
SDLDB-2	LUNA DENIM BLUE
SDLHG-2	LUNA HUNTER GREEN
SDLOB-2	LUNA OCEAN BLUE
SDLPB-2	LUNA PITCH BLACK
SDLSG-2	LUNA SAGE GREEN
SDGCW-2	GALAXY CLOUD WHITE
SDGDB-2	GALAXY DENIM BLUE
SDGHG-2	GALAXY HUNTER GREEN
SDGOB-2	GALAXY OCEAN BLUE
SDGPB-2	GALAXY PITCH BLACK
SDGSG-2	GALAXY SAGE GREEN
<b>NEW!</b> SDGGB-2	GALAXY GRAPHITE BLACK
<b>NEW!</b> SDGPG-2	GALAXY PISTACHIO GREEN
SDFCW-2	FUSION CLOUD WHITE
SDFDB-2	FUSION DENIM BLUE
SDFHG-2	FUSION HUNTER GREEN
SDFOB-2	FUSION OCEAN BLUE
SDFPB-2	FUSION PITCH BLACK
SDFSG-2	FUSION SAGE GREEN
SDOCW-2	ONYX CLOUD WHITE
SDODB-2	ONYX DENIM BLUE
SDOHG-2	ONYX HUNTER GREEN
SDOOB-2	ONYX OCEAN BLUE
SDOPB-2	ONYX PITCH BLACK
SDOSG-2	ONYX SAGE GREEN
SDICW-2	IMPERIO CLOUD WHITE
SDIDB-2	IMPERIO DENIM BLUE
SDIHG-2	IMPERIO HUNTER GREEN
SDIOB-2	IMPERIO OCEAN BLUE
SDIPB-2	IMPERIO PITCH BLACK
SDISG-2	IMPERIO SAGE GREEN
SDNCW-2	NEXUS CLOUD WHITE
SDNDB-2	NEXUS DENIM BLUE
SDNHG-2	NEXUS HUNTER GREEN
SDNOB-2	NEXUS OCEAN BLUE
SDNPB-2	NEXUS PITCH BLACK
SDNSG-2	NEXUS SAGE GREEN

• A Finish Surcharge will be applied to Designer Collection Sample Doors

**Pricing Note:** Sales Tools are NET pricing; virtual multiplier applies to these items. Final price listed on Quote/Order will reflect the virtual multiplier.

## Sales Tools



### MINI BASE SAMPLE

ITEM	DESCRIPTION
GF MBS	BASE SAMPLE 12"W X 21"H X 15"D

- Available in Allure Galaxy Frost, and Quest Metro Mist finish only.
- Cabinet exposed right side comes pre-finished with a near-flush finished end.



### MOLDING CHAIN

ITEM	DESCRIPTION
MLK-ALLURE	COMPLETE CHAIN OF ALLURE MOLDINGS



### COLOR BLOCKS

ITEM	DESCRIPTION
COLOR BLOCK	BOX OF COLOR BLOCKS
ADC COLOR BLOCK	BOX OF COLOR BLOCKS FOR ALLURE DESIGNER COLOR
CS-	LOOSE COLOR BLOCK



### SAMPLE PACKAGES

ITEM	DESCRIPTION
SMALL SAMPLE PACKAGE	SMALL SAMPLE PACKAGE
DEALER PACKAGE	LITERATURE AND ACCESSORIES

#### Small Sample Package:

- Full Set of Small Sample Doors (door is 11-1/2" x 14"H)

#### Dealer Package:

- Full set of Large Sample Doors with Allure & Illume Signature colors (Includes Door & Drawer Front)
- One of each molding chain for Allure and Quest
- Full set of Color Blocks including Allure Signature, Allure Designer, & Illume Signature colors
- Digital Brochure Keychains (Pack of 25)
- Style Guide Brochure (Pack of 25)

**Pricing Note:** Sales Tools are NET pricing; virtual multiplier applies to these items. Final price listed on Quote/Order will reflect the virtual multiplier.

## Sales Tools



### DIGITAL BROCHURE

ITEM	DESCRIPTION
DIGITAL BROCHURE QR	QR CODE KEY RING

- Pack of 25 Key Rings



### STYLE GUIDE

ITEM	DESCRIPTION
<b>NEW!</b> SG24	STYLE GUIDE BROCHURE 2024 (25PK)

- 72 pages, 8" x 8"
- Fabuwood's Style Guide showcases an extensive range of customizations and design possibilities. Featuring hoods, vanities, door styles, color collections, and more, it offers everything needed to create unique and personalized spaces

STYLE GUIDE BROCHURE 2023 (SG23) is still available for purchase in EZPO. Limited quantities available while supplies last.



### VANITY BROCHURE

ITEM	DESCRIPTION
<b>NEW!</b> VANITY BROCHURE	VANITY BROCHURE (25PK)

- 32 pages, 8-1/2" x 11"
- Fabuwood's Vanity Brochure features a diverse selection of door styles, vanity platforms, and innovative storage solutions designed to elevate any space. With endless customization options, this brochure provides everything needed to inspire a beautifully personalized bathroom.



### TABLETOP DISPLAY BOARD

ITEM	DESCRIPTION
<b>NEW!</b> LED TABLETOP DISPLAY	HAFELE LED TABLETOP DISPLAY BOARD

- Tabletop Display Boards provide dealers with a simple way of showing off Hafele LED Lighting & the components that Fabuwood includes in the starter kit.
- Includes two boards: one LED light board and one switch board with Starter Kit items (Driver, Port, WLS Light Switch)
  - » Light Board: 10-1/2" x 16-1/2"
  - » Switch Board: 16" x 23"

**Pricing Note:** Sales Tools are NET pricing; virtual multiplier applies to these items. Final price listed on Quote/Order will reflect the virtual multiplier.

## Sales Tools



### SELLING CENTER

ITEM	DESCRIPTION
DEALER SELLING CENTER	FABUWOOD SELLING CENTER
ACRYLIC LOGO 38X8	FABUWOOD ACRYLIC LOGO DISPLAY SIGN 38"X8"

*Fabuwood Selling Center Display comes with:*

- three (3) Base Cabinets, 12"W x 16"D
- FSC B12 include the following finishes: Illume Catalina Bianco Gloss, Allure Galaxy Nickel, & Quest Discovery Frost
- Full set of Large Sample Doors
- One of each molding chain for Allure, Quest
- Includes one Box set each of Color Blocks and Designer Collection Color Blocks
- Digital Brochure Keychains (Pack of 25)
- Pack of 25 Style Guide Brochures
- Acrylic Logo Sign included and available for separate purchase



*Fabuwood Logo Sign:*

- Now available as a stand-alone item for endless display options. Hang our sign amongst a gallery wall of Fabuwood Sample Doors, or pair with a Fabuwood vignette to create a unique Selling Center tailored to your individual showroom style.
- Acrylic sign predrilled with decorative chrome plated standoffs included.

### SAMPLE DOOR STAND

ITEM	DESCRIPTION
SAMPLE DOOR STAND	SAMPLE DOOR DISPLAY STAND

- Stand can be easily unassembled and re-assembled for storage or portability to trade shows
- Sample Door Display stand can hold up to nine sample doors
- Will accommodate sizing for all door styles



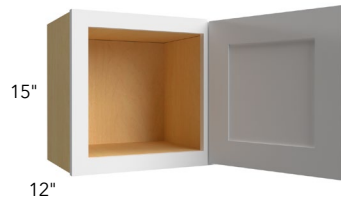
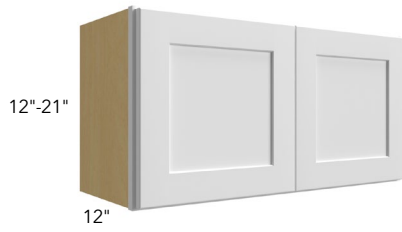
Shown with SD



Shown with SD-2

**Pricing Note:** Sales Tools are NET pricing; virtual multiplier applies to these items. Final price listed on Quote/Order will reflect the virtual multiplier.

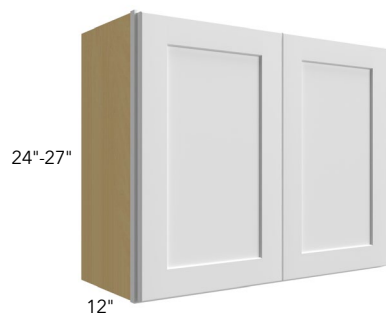
## 12" - 27" High Wall Cabinets



### 12" - 21" HIGH

ITEM
W3012
W3312
W3612
* W1215
* W1515
* W1815
* W2115
W2415
W2715
W3015
W3315
W3615
W2418
W3018
W3318
W3618
** W3021

\*\* Includes 1 shelf  
 \* Single door cabinet



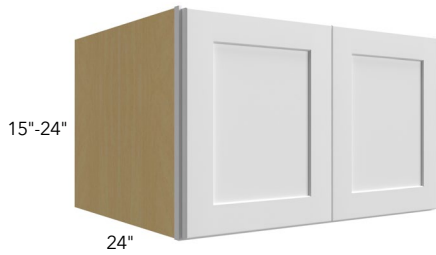
### 24" - 27" HIGH DOUBLE DOOR

ITEM
W2424
W3024
W3324
W3624
* W3027

\* Discontinued items are available in limited quantities while supplies last.



## 12" - 24" High & 24" Deep Wall Cabinets



### 24" DEEP

ITEM
W301524
W301824
* W302424
W331224
W331524
W331824
* W332424
W361224
W361524
W361824
* W362424

\* Includes 1 shelf

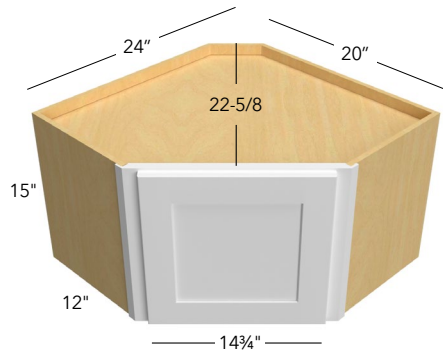


### LIFT-UP

ITEM
<b>NEW!</b> W421224LU
<b>NEW!</b> W481224LU



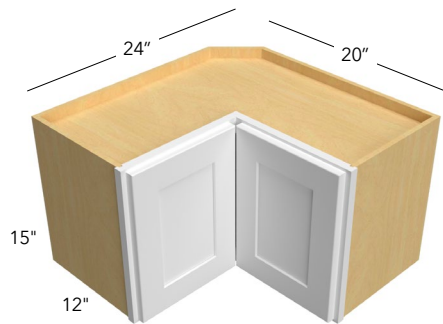
## 12" - 24" High & 24" Deep Wall Cabinets



### DIAGONAL CORNER

ITEM

WDC2415



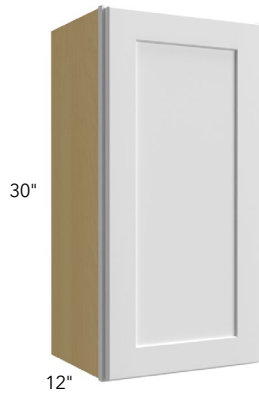
### PIE CUT CORNER

ITEM

WPC2415

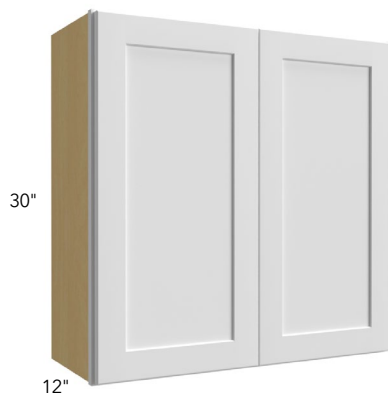
- *Soft close hinge not available*

## 30" High Wall Cabinets



### SINGLE DOOR

ITEM
W0930
W1230
W1530
W1830
W2130



### DOUBLE DOOR

ITEM
W2430
W2730
W3030
W3330
W3630

\* W3930

\* Includes 1½" center stile

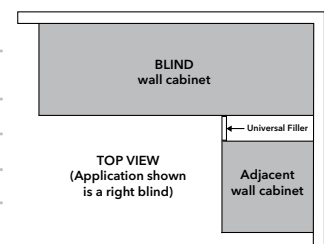


### SINGLE DOOR BLIND

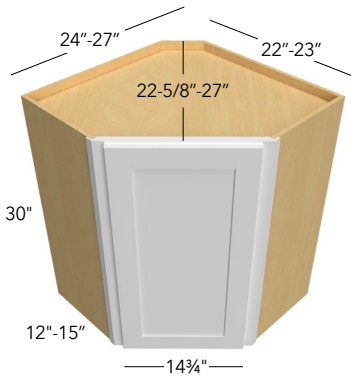
ITEM
WBC2430
WBC3030
WBC3630

- Must use filler on adjacent side (not supplied)
- Dimensions are rounded off to closest 1/8"

	Act.	Max	Door	Stile	Open (door side)
WBC2430	24"	27"	9½"	7"	7"
WBC3030	30"	33"	14¾"	7¾"	12¼"
WBC3630	36"	39"	21½"	7"	19"



## 30" High Wall Cabinets



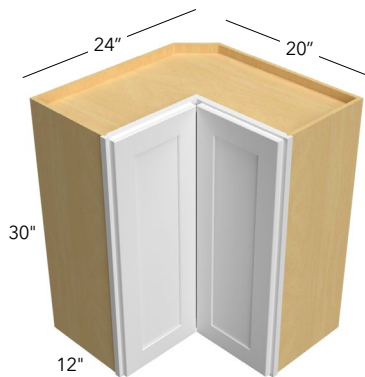
### DIAGONAL CORNER

#### ITEM

WDC2430

\* WDC2730

- \* Cabinet exposed sides come pre-finished with near-flush finished ends.
- For Lazy Susan see accessories on page 62



### PIE CUT CORNER

#### ITEM

WPC2430

- Soft close hinge not available



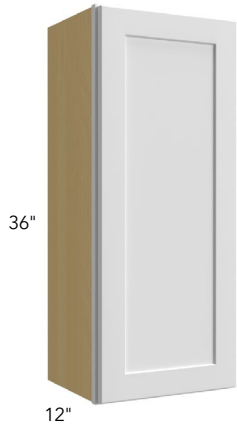
### WALL WITH DRAWERS

#### ITEM

WD1848

- \* Cabinet exposed sides come pre-finished with near-flush finished ends.
- Shelves and clips are shipped together loose and will come packaged separately from the cabinet.**

## 36" High Wall Cabinets



### SINGLE DOOR

ITEM
W0936
W1236
W1536
W1836
W2136



### DOUBLE DOOR

ITEM
W2436
W2736
W3036
W3336
W3636
* W3936

\* Includes 1 1/2" center stile

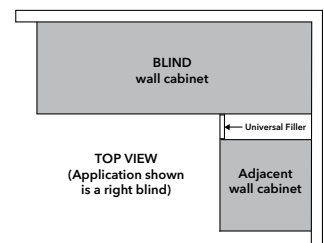


### SINGLE DOOR BLIND

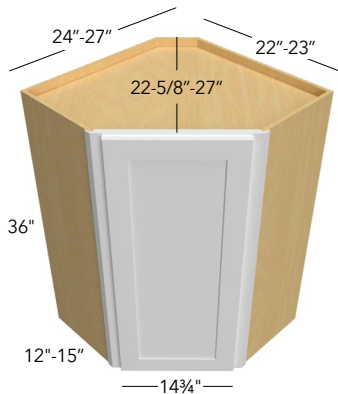
ITEM
WBC2436
WBC3036
WBC3636

- Must use filler on adjacent side (not supplied)
- Dimensions are rounded off to closest 1/8"

	Act.	Max	Door	Stile	Open (door side)
WBC2436	24"	27"	9 1/2"	7"	7"
WBC3036	30"	33"	14 3/4"	7 3/4"	12 1/4"
WBC3636	36"	39"	21 1/2"	7"	19"



## 36" High Wall Cabinets



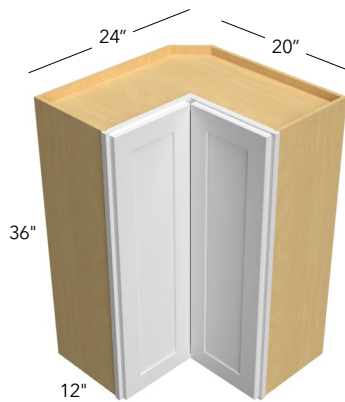
### DIAGONAL CORNER

**ITEM**

WDC2436

\* WDC2736

- \* Cabinet exposed sides come pre-finished with near-flush finished ends.
- For Lazy Susan see accessories on page 62

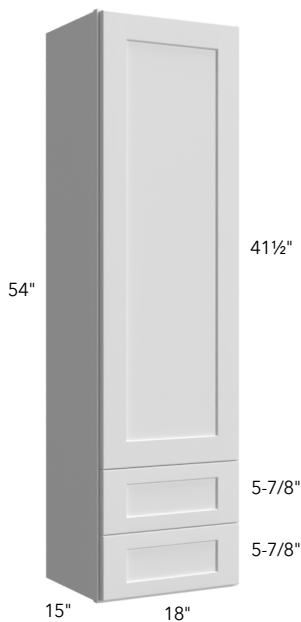


### PIE CUT CORNER

**ITEM**

WPC2436

- Soft close hinge not available



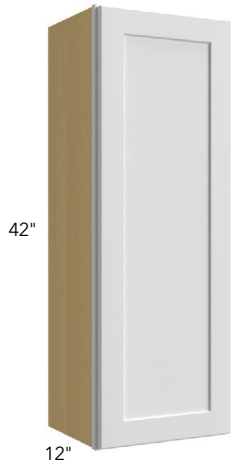
### WALL WITH DRAWERS

**ITEM**

WD1854

- \* Cabinet exposed sides come pre-finished with near-flush finished ends.
- Shelves and clips are shipped together loose and will come packaged separately from the cabinet.*

## 42" High Wall Cabinets



### SINGLE DOOR

ITEM
W0942
W1242
W1542
W1842
W2142



### DOUBLE DOOR

ITEM
W2442
W2742
W3042
W3342
W3642

\* W3942

\* Includes 1½" center stile

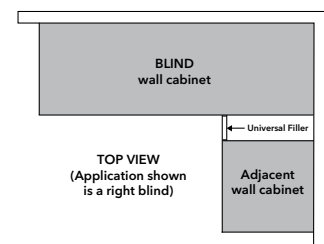


### SINGLE DOOR BLIND

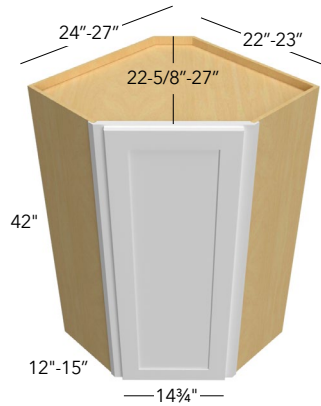
ITEM
WBC2442
WBC3042
WBC3642

- Must use filler on adjacent side (not supplied)
- Dimensions are rounded off to closest ¼"

	Act.	Max	Door	Stile	Open (door side)
WBC2442	24"	27"	9½"	7"	7"
WBC3042	30"	33"	14¾"	7¾"	12¼"
WBC3642	36"	39"	21½"	7"	19"



## 42" High Wall Cabinets



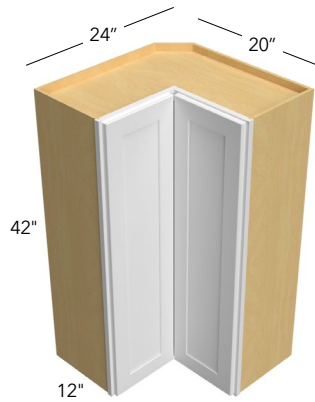
### DIAGONAL CORNER

#### ITEM

WDC2442

\* WDC2742

- \* Cabinet exposed sides come pre-finished with near-flush finished ends.
- For Lazy Susan see accessories on page 62

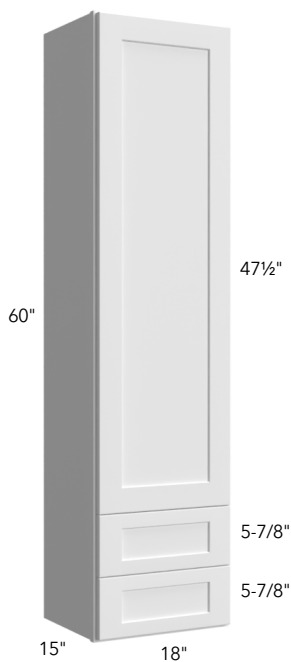


### PIE CUT CORNER

#### ITEM

WPC2442

- Soft close hinge not available



### WALL WITH DRAWERS

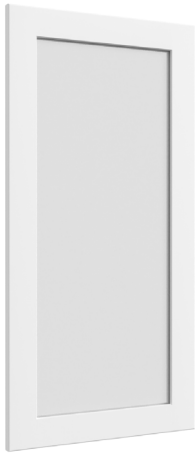
#### ITEM

WD1860

- \* Cabinet exposed sides come pre-finished with near-flush finished ends.
- Shelves and clips are shipped together loose and will come packaged separately from the cabinet.**



## Glass Doors



29½"  
35½"  
41½"  
47½"

**GALAXY PROFILE SHOWN**



29½"  
35½"  
41½"  
47½"

**LUNA PROFILE SHOWN**

### GLASS DOOR (CLEAR GLASS ONLY)

ITEM
GDW1530
GDW1536
GDW1542
GDW1830
GDW1836
GDW1842
* GDW2430
* GDW2436
* GDW2442
* GDW3030
* GDW3036
* GDW3042
* GDW3630
* GDW3636
* GDW3642
GDWD1860
GDWDC2430
GDWDC2436
GDWDC2442

- Glass doors are pre-installed with clear glass only
- \* Cost is for a single door, need to order quantity of 2 doors per cabinet

## Doors Prepped for Glass



29½"  
35½"  
41½"  
47½"

**GALAXY PROFILE SHOWN**



29½"  
35½"  
41½"  
47½"

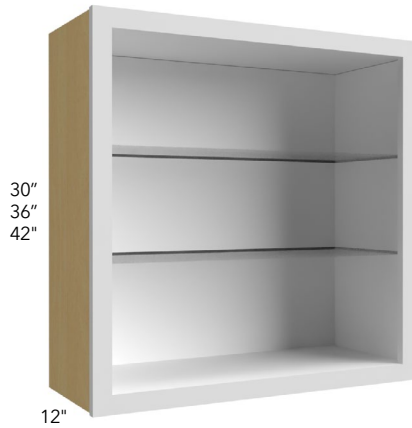
**LUNA PROFILE SHOWN**

### DOOR PREPPED FOR GLASS

ITEM
DFG1530
DFG1536
DFG1542
DFG1830
DFG1836
DFG1842
* DFG2430
* DFG2436
* DFG2442
* DFG3030
* DFG3036
* DFG3042
* DFG3630
* DFG3636
* DFG3642
DFGWD1860

- Glass not included in door
- Center panel remove vinyl gasket is included for easy installation of glass in the field.
- \* Cost is for a single door, need to order quantity of 2 doors per cabinet

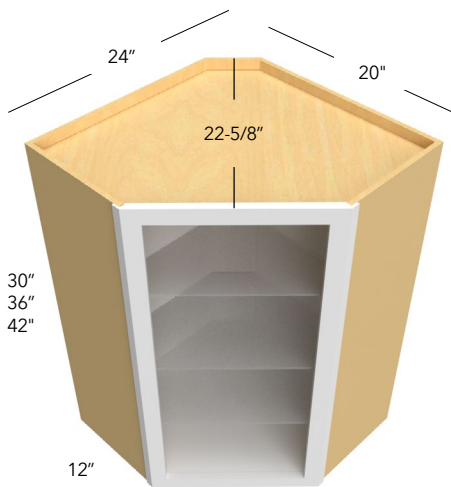
## Specialty Wall Cabinets



### NO DOOR

ITEM
NDW1530
NDW1830
NDW2430
NDW3030
NDW3630
* NDW1536
* NDW1836
* NDW2436
* NDW3036
* NDW3636
* NDW1542
* NDW1842
* NDW2442
* NDW3042
* NDW3642

- Door not included in price. Designed to use with glass doors. See glass doors listed on pg. 10
- Has hinges installed
- Cabinet comes pre-drilled for hinges. Fabuwood can fill up hinge holes for additional charge.
- Finished interior to match color of frame
- Adjustable 1/4" thick tempered glass shelves
- Increased or decreased depth cabinets will come with matching interior wood shelves instead of glass shelves.
- \* Has three shelves

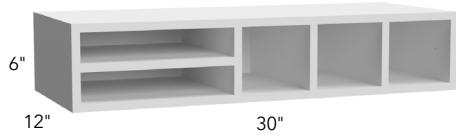


### DIAGONAL CORNER NO DOOR

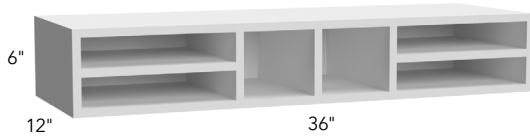
ITEM
NDWDC2430
* NDWDC2436
* NDWDC2442

- Door not included. Designed to use with glass doors. See glass doors listed on pg. #10
- Cabinet comes pre-drilled for hinges. Fabuwood can fill up hinge holes for additional charge.
- Finished interior
- Adjustable 1/4" thick tempered glass shelves
- Increased or decreased depth cabinets will come with matching interior wood shelves instead of glass shelves.
- \* Has three shelves

## Specialty Wall Cabinets



6"  
12" 30"



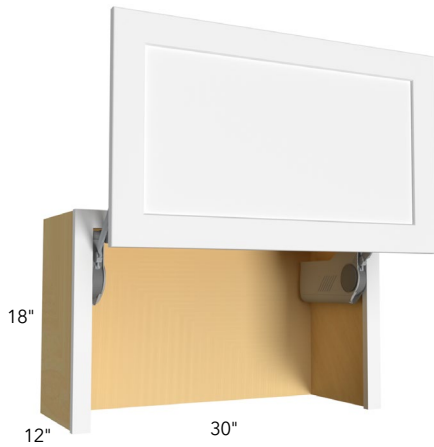
6"  
12" 36"

### WALL ORGANIZER

ITEM
WO306
WO366

- Veneer plywood with edge banding
- Finished Interior & Exterior

**NOTE:** Wall Organizer shelves by default will have visible screws on sides, top & bottom of cabinet. Modification is available for flush sides

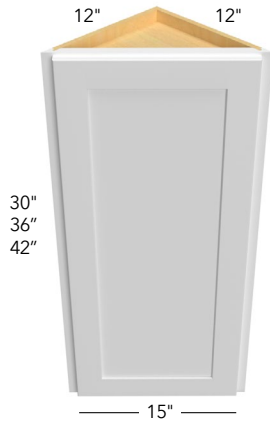


18"  
12" 30"

### WALL APPLIANCE

ITEM
WAC3018

## Specialty Wall Cabinets



### ANGLE END

**ITEM**

WAE1230

\* WAE1236

\* WAE1242

- Can use with one GDW3030/GDW3036/GDW3042 Glass Door. Requires 1" overlay hinges (ordered separately)
- Adjustable shelves
- \* Includes three shelves

### OPEN END

**ITEM**

OEL630

OEL636

\* OEL642

OER630

OER636

\* OER642

OE1230

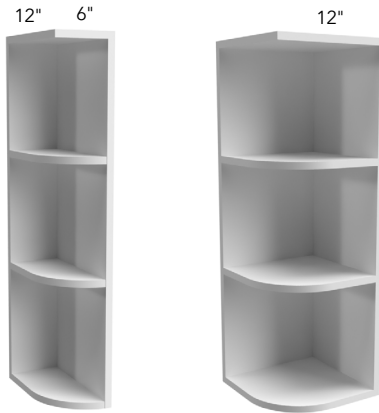
OE1236

\* OE1242

- \* Includes three shelves
- \* For Square Bottom Shelf, see modifications available on pg.85

**NOTE:** Open End Shelves will have visible screws on backs/sides of cabinet, as they are intended to be installed against two walls, or a wall and adjacent cabinet.

**OEL6 SHOWN  
(OPENS TO LEFT SIDE)**



### OPEN SHELF

**ITEM**

WOS1830

\* WOS1836

\* WOS1842

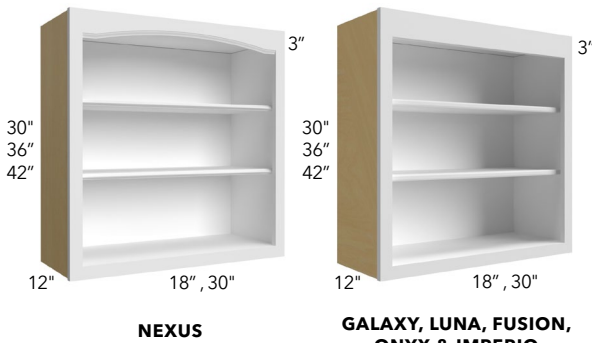
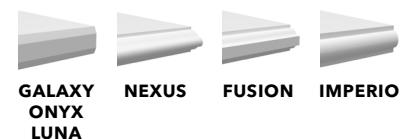
WOS3030

\* WOS3036

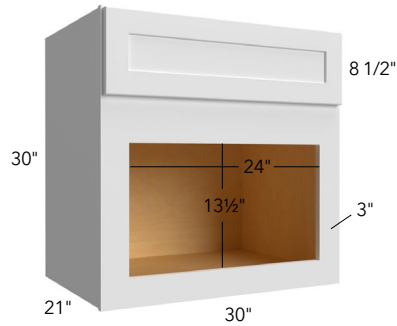
\* WOS3042

- \* Includes three shelves
- Finished interior
- NEXUS: Arch valance
- Valance & shelf profile matches door style
- Adjustable shelves
- Increased depth cabinets will not have edge profile

Edge on shelves:



## Microwave Wall Cabinets

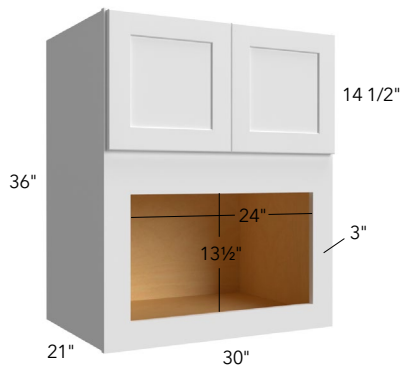


### 30" MICROWAVE

#### ITEM

MC303021

- Cabinet exposed sides come pre-finished with near-flush finished ends.
- 3" Wide rails face frame to be trimmed on site
- Minimum Width opening 24"
- Maximum **cut out** width 28½"
- Minimum Height opening 13"
- Maximum **cut out** height is 19 3/4"
- Maximum **overall** trim kit height 21"
- Lift-up door

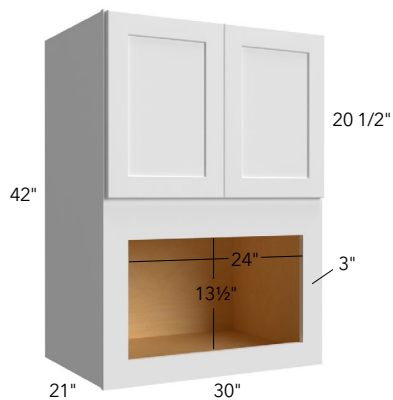


### 36" MICROWAVE

#### ITEM

MC303621

- Cabinet exposed sides come pre-finished with near-flush finished ends.
- 3" Wide rails face frame to be trimmed on site
- Minimum width opening 24"
- Maximum **cut out** width 28½"
- Minimum Height opening 13"
- Maximum **cut out** height is 19 3/4"
- Maximum **overall** trim kit height 21"



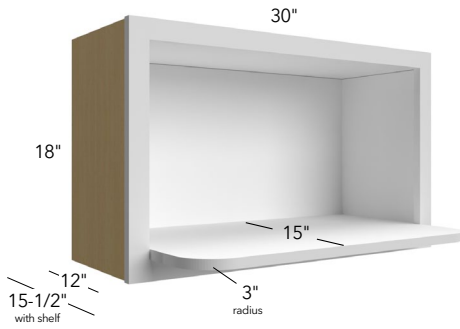
### 42" MICROWAVE

#### ITEM

MC304221

- Cabinet exposed sides come pre-finished with near-flush finished ends.
- 3" Wide rails face frame to be trimmed on site
- Minimum Width opening 24"
- Maximum **cut out** width 28½"
- Minimum Height opening 13"
- Maximum **cut out** height is 19 3/4"
- Maximum **overall** trim kit height 21"

## Microwave Wall Cabinets



### 18" MICROWAVE WITH SHELF

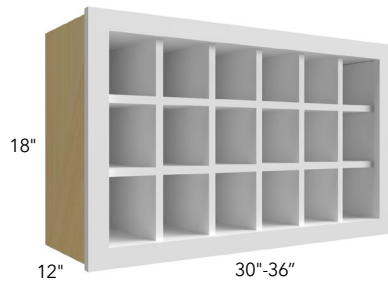
ITEM
MW3018

MW3018

- 18" high Microwave Wall Cabinet with 15" deep extended shelf
- Extended shelf has rounded edges with a 3" radius
- Extended shelf ships loose from cabinet; to be installed on site

**NOTE:** This cabinet receives the modification **FILL HINGE-SEAM**. Modification is added at no charge for MW3018. Hinge holes on Face Frame are filled with touch-up. Seam may be slightly visible.

## Wine Cabinets



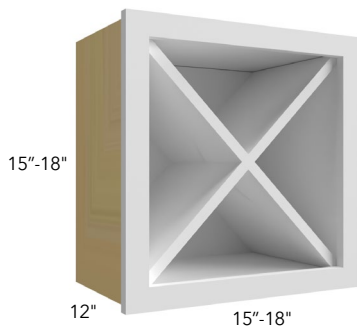
### WINE RACK

#### ITEM

\* WR3018

\*\* WR3618

- Finished interior
- 1-½" Framed cabinet construction
- Exterior has ¾" recess from face frame (all around)
- Interior has ¼" recess from face frame (all around)
- \* Fits 18 bottles
- \*\* Fits 21 bottles



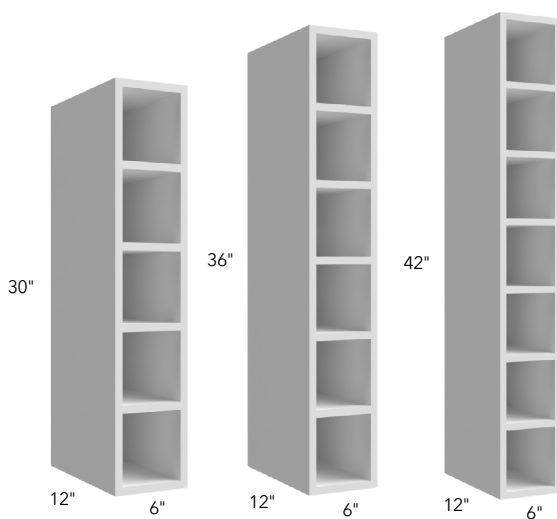
### WINE RACK

#### ITEM

WR15X15

WR18X18

- Finished Interior
- 1-½" Framed cabinet construction
- Exterior has ¾" recess from face frame (all around)
- Interior has ¼" recess from face frame (all around)
- Storage Capacity
  - » WR15X15: 8-12 bottles
  - » WR18X18: 12-16 bottles



### WINE CUBE

#### ITEM

WC0630

WC0636

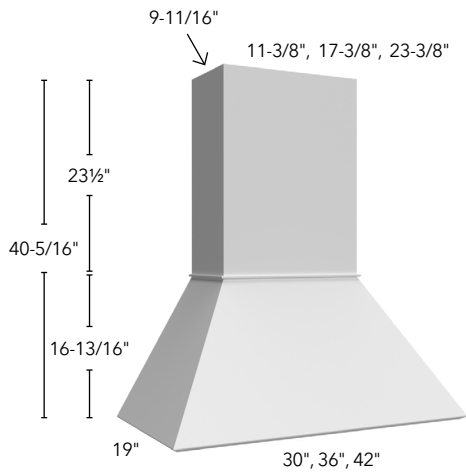
WC0642

- Veneer plywood with edge banding
- Finished Interior & Exterior
- Frameless construction

**NOTE:** Wine Cubes by default will have visible screws on the exposed sides. Finished Ends may be requested at the time of ordering to have screws concealed. Modification is available for Flush Wall Bottom.



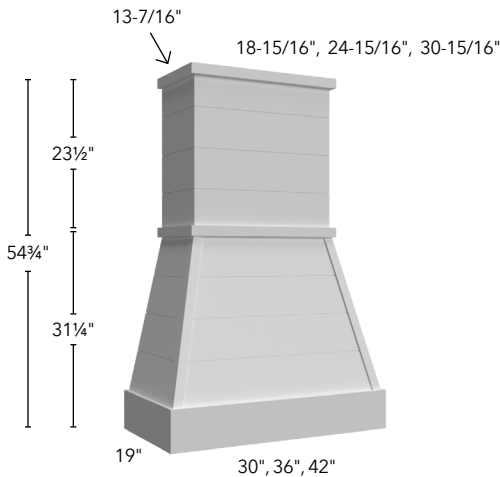
## Euro & Farmhouse Hoods



### EURO HOOD

ITEM
RHE30
RHE36
RHE42
RHE30 TIMBER
RHE36 TIMBER
RHE42 TIMBER

- Includes Stainless Steel Hood Liner (liner is user removable)
- Chimney is removable & trimmable on site (refer to assembly and installation instructions for more details)
- Modifications are not available for this item
- Liner specifications found on pg. 22
- Stainless Steel Liner is compatible with any of Fabuwood's Broan NuTone Ventilation Inserts. Please see pg. 25 for available options.

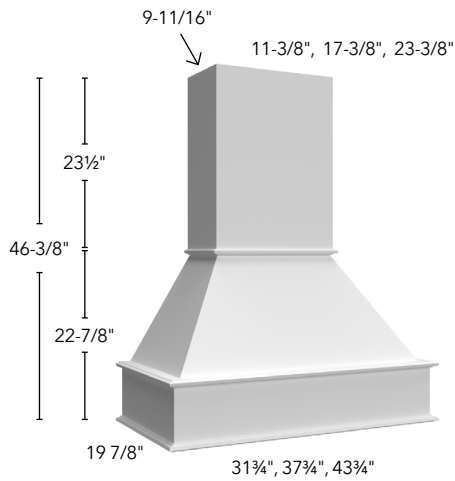


### FARMHOUSE HOOD

ITEM
RHF30
RHF36
RHF42
RHF30 TIMBER
RHF36 TIMBER
RHF42 TIMBER

- Includes Stainless Steel Hood Liner (liner is to be installed after hood is mounted on wall)
- Chimney is removable & trimmable on site (refer to assembly and installation instructions for more details)
- Modifications are not available for this item
- Liner specifications found on pg. 23
- Stainless Steel Liner is compatible with any of Fabuwood's Broan NuTone Ventilation Inserts. Please see pg. 25 for available options.

## Signature Hoods



### SIGNATURE HOOD

ITEM
RHS30
RHS36
RHS42
RHS30 TIMBER
RHS36 TIMBER
RHS42 TIMBER

- Includes Full Interior Stainless Steel Liner (liner is user removable)
- Chimney is removable & trimmable on site (refer to assembly and installation instructions for more details)
- Modifications are not available for this item
- Liner specifications found on pg. 23
- Stainless Steel Liner is compatible with any of Fabuwood's Broan NuTone Ventilation Inserts. Please see pg. 25 for available options.

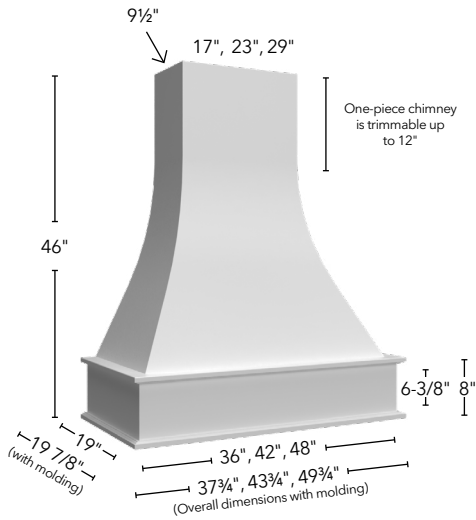


### SIGNATURE HOOD - WALNUT

ITEM
RHS30 WALNUT
RHS36 WALNUT
RHS42 WALNUT

- Includes Full Interior Stainless Steel Liner (liner is user removable)
- Chimney is removable & trimmable on site (refer to assembly and installation instructions for more details)
- Modifications are not available for this item
- Liner specifications found on pg. 23
- Stainless Steel Liner is compatible with any of Fabuwood's Broan NuTone Ventilation Inserts. Please see pg. 25 for available options.

## Curved Artisan Hoods



### CURVED ARTISAN HOOD

**ITEM**

RHCA36

RHCA42

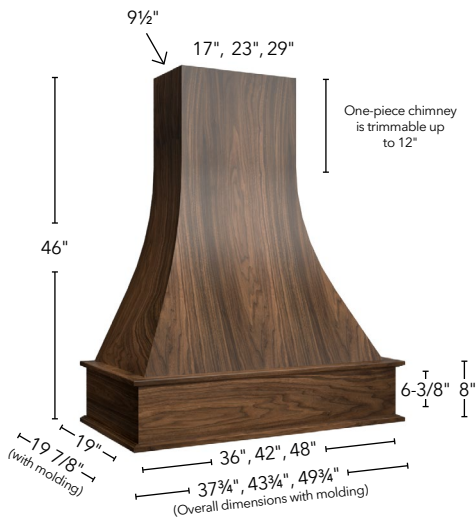
RHCA48

RHCA36 TIMBER

RHCA42 TIMBER

RHCA48 TIMBER

- Includes Full Interior Stainless Steel Liner (liner is user removable)
- One-Piece Chimney is trimmable on site up to 12" (refer to assembly and installation instructions for more details)
- Modifications are not available for this item
- Liner specifications found on pg. 23
- Stainless Steel Liner is compatible with any of Fabuwood's Broan NuTone Ventilation Inserts. Please see pg. 25 for available options.



### CURVED ARTISAN HOOD - WALNUT

**ITEM**

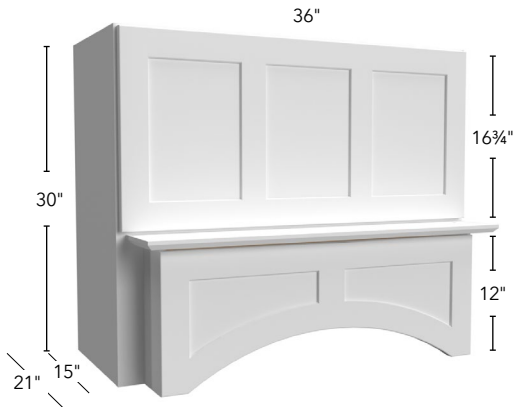
RHCA36 WALNUT

RHCA42 WALNUT

RHCA48 WALNUT

- Includes Full Interior Stainless Steel Liner (liner is user removable)
- One-Piece Chimney is trimmable on site up to 12" (refer to assembly and installation instructions for more details)
- Modifications are not available for this item
- Liner specifications found on pg. 23
- Stainless Steel Liner is compatible with any of Fabuwood's Broan NuTone Ventilation Inserts. Please see pg. 25 for available options.

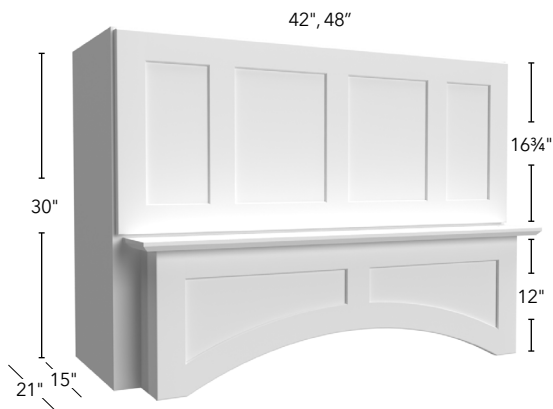
## Arched Hoods



### 3 PANEL ARCHED HOOD

ITEM
RHA363021

- Not available in Luna
- Arched valance profile coordinates with that of door style
- Top panel lifts up
- Sides are flush finished ends
- Crown to be installed above cabinet, not on face frame
- Hood depth can be increased or decreased (contact Custom Quotes for pricing)
- Includes Full Interior Stainless Steel Hood Liner (liner is user removable)
- Liner specifications found on pg. 24
- Stainless Steel Liner is compatible with any of Fabuwood's Broan NuTone Ventilation Inserts. Please see pg. 25 for available options.

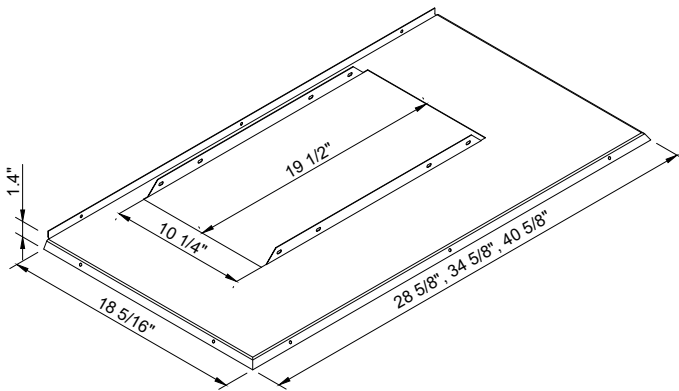


### 4 PANEL ARCHED HOOD

ITEM
RHA423021
RHA483021

- Not available in Luna
- Arched valance profile coordinates with that of door style
- Top panel lifts up
- Sides are flush finished ends
- Crown to be installed above cabinet, not on face frame
- Hood depth can be increased or decreased (contact Custom Quotes for pricing)
- Includes Full Interior Stainless Steel Hood Liner (liner is user removable)
- Liner specifications found on pg. 24
- Stainless Steel Liner is compatible with any of Fabuwood's Broan NuTone Ventilation Inserts. Please see pg. 25 for available options.

## Hood Liner Specifications



### EURO HOOD LINER

ITEM

HOOD LINER-RHE30

HOOD LINER-RHE36

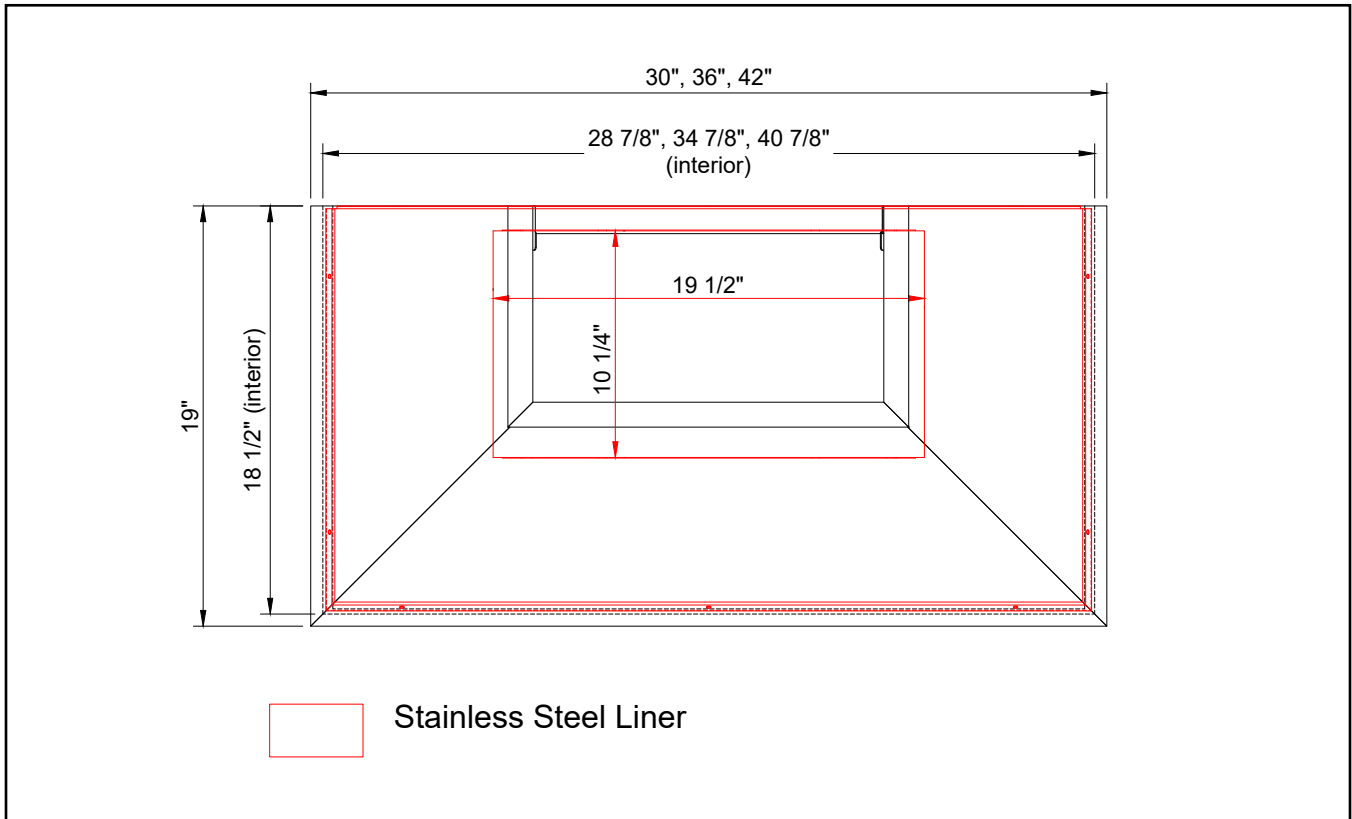
HOOD LINER-RHE42

- Liner is included as a standard on Allure Euro Hoods (hood will ship with liner pre-installed)
- Blower is **NOT** included, must be purchased separately by other
- Blowers that fit this liner:  
 Broan / Model PM300SS  
 Broan / Model PM400SS  
 Broan / Model PM600SSV  
 Best / Model P195P1M52SB6\*  
 XO / Model XO121SMUA\*  
 XO / Model XO122SC\*  
 Zephyr / Model AK8400BS\*  
 Zephyr / Model AK8400BS290\*

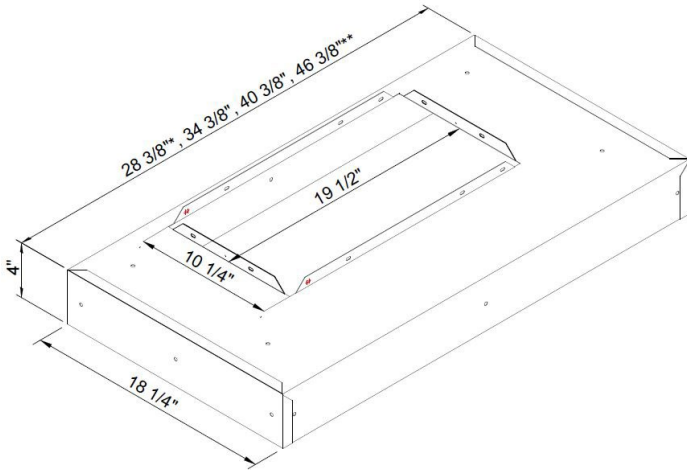
*NOTE: Starred blowers are not compatible with 30" Hood Liners*

*MODELS LISTED ARE RECOMMENDATIONS ONLY; Fabuwood takes no responsibility for the selection of blower. Dealer is responsible for specifying and recommended to consult with an appliance dealer to select compatible blower options based on their individual cooking appliance needs and manufacturer specifications.*

### CONSTRUCTION DETAILS:



## Hood Liner Specifications



### FARMHOUSE/SIGNATURE/ARTISAN HOOD LINER

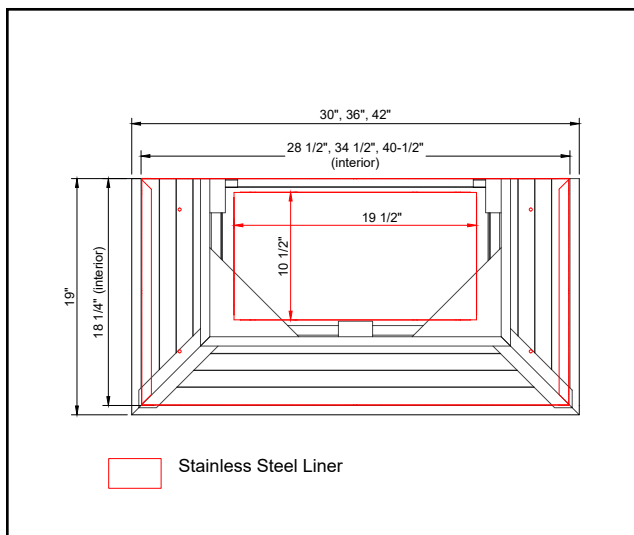
ITEM
* HOOD LINER-RHA/F/S30
HOOD LINER-RHA/F/S36
HOOD LINER-RHA/F/S42
** HOOD LINER-RHA/F/S48

- Liner is included as a standard on Allure Farmhouse, Signature & Curved Artisan Hoods (hood will ship with liner to be installed on site)
- \* 30" liners for Farmhouse & Signature Hoods Only
- \*\* 48" liner is available for Curved Artisan Only
- Blower is **NOT** included, must be purchased separately by other
- Blowers that fit this liner:
  - Broan / Model PM300SS
  - Broan / Model PM400SS
  - Broan / Model PM600SSV
  - Best / Model P195P1M52SB6\*
  - XO / Model XO121SMUA\*
  - XO / Model XO122SC\*
  - Zephyr / Model AK8400BS\*
  - Zephyr / Model AK8400BS290\*

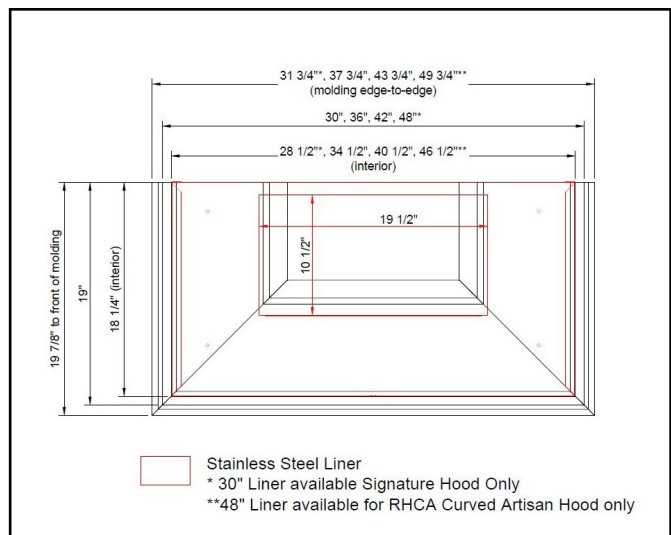
**NOTE:** Starred blowers are not compatible with 30" Hood Liners

**MODELS LISTED ARE RECOMMENDATIONS ONLY;** Fabuwood takes no responsibility for the selection of blower. Dealer is responsible for specifying and recommended to consult with an appliance dealer to select compatible blower options based on their individual cooking appliance needs and manufacturer specifications.

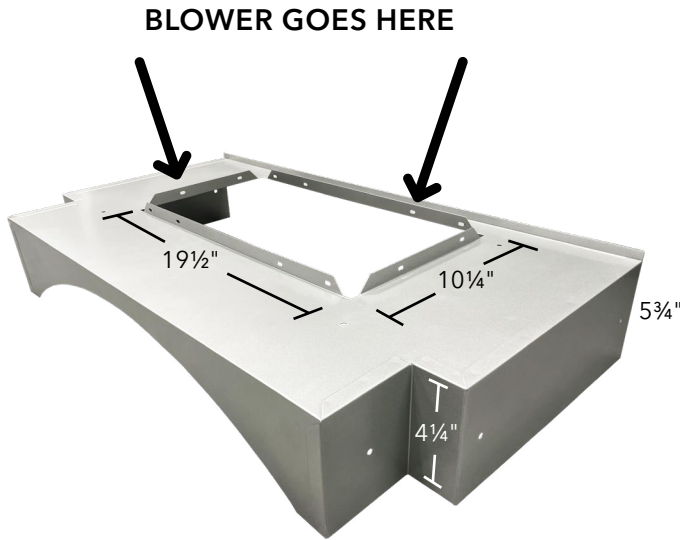
### FARMHOUSE CONSTRUCTION DETAILS:



### SIGNATURE/CURVED ARTISAN CONSTRUCTION DETAILS:



## Hood Liner Specifications



### ARCHED HOOD LINER

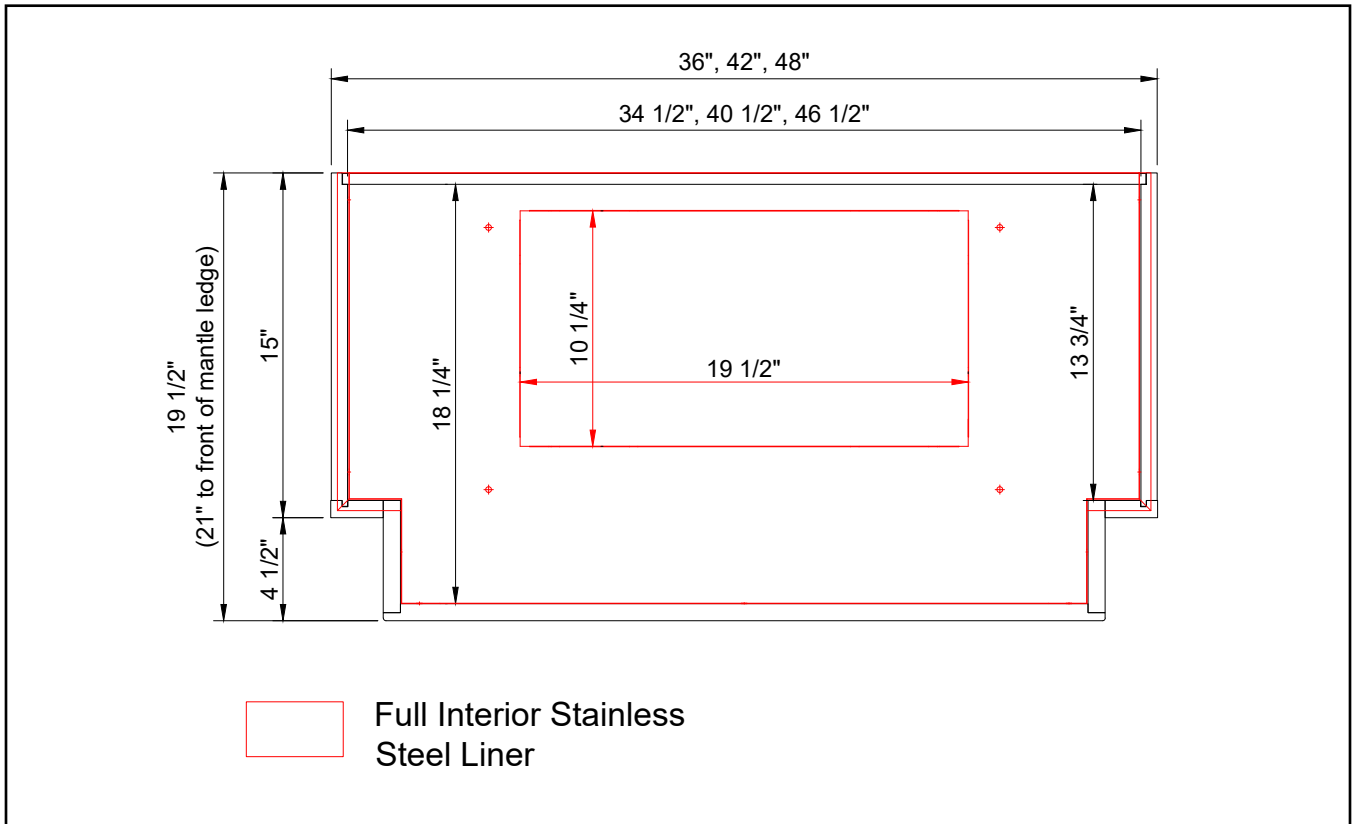
ITEM
HOOD LINER-RHA363021
HOOD LINER-RHA423021
HOOD LINER-RHA483021

- Liner is included as a standard on Allure Arched Hoods (hood will ship with liner preinstalled)
- Blower is **NOT** included, must be purchased separately by other
- Blowers that fit this liner:  
 Broan / Model PM300SS  
 Broan / Model PM400SS  
 Broan / Model PM600SSV  
 Best / Model P195P1M52SB6  
 XO / Model XO121SMUA  
 XO / Model XO122SC\*  
 Zephyr / Model AK8400BS\*  
 Zephyr / Model AK8400BS290\*

**NOTE:** Starred blowers are not compatible with 30" Hood Liners

**MODELS LISTED ARE RECOMMENDATIONS ONLY; Fabuwood takes no responsibility for the selection of blower. Dealer is responsible for specifying and recommended to consult with an appliance dealer to select compatible blower options based on their individual cooking appliance needs and manufacturer specifications.**

### CONSTRUCTION DETAILS:



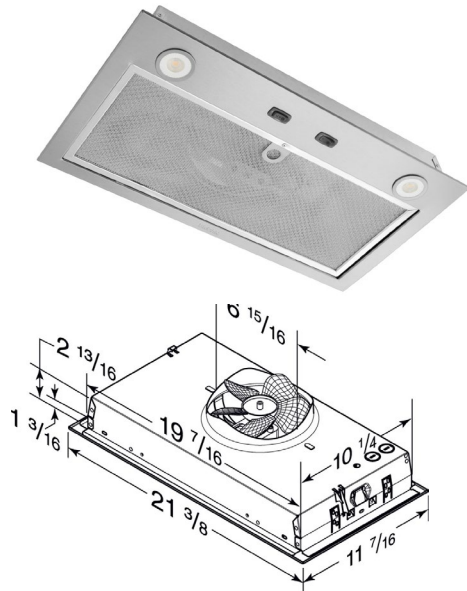


## Hood Ventilation Systems

### 250 CFM STAINLESS VENTILATOR

#### ITEM

RHBB 250 CFM



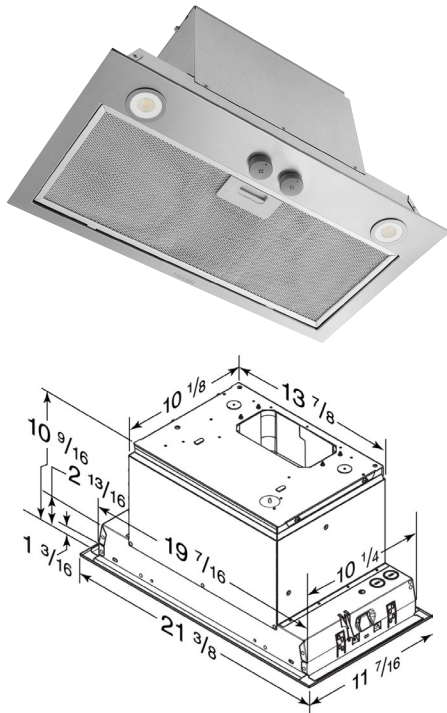
- Works with Fabuwood Stainless Steel Interior Hood Liners
- Available for all Fabuwood Allure Wood Hoods except RHA483021
- Efficient 300 Max Blower CFM operates at 3 zones at normal speed
- Bright 1-level, heat resistant LED modules enhance your cooking experience.
- 2-Speed rocker controls operate the fan speeds
- Easy-to-clean, fully enclosed bottom with dishwasher-safe aluminum mesh filter
- ADA compliant, remote operation is possible using a standard UL approved wall switch. (Requires ADA adapter kit, HAWSK3 (sold separately, contact Customer Service Team to request Custom Accessory)
- Optional non-duct recirculation kit (RHBB DCT) and filters (RHBB FLTR) available for indoor exhaust recirculation to suit your needs.
- Comes with Broan-NuTone one (1) year Limited Warranty. Refer to installation guide for full details.

**NOTE:** Dealers should refer to the Heating Appliance Manufacturer's Specifications for individual ventilation requirements. Fabuwood is not responsible for improper blower selection or installation.

### 400 CFM STAINLESS VENTILATOR

#### ITEM

RHBB 400 CFM



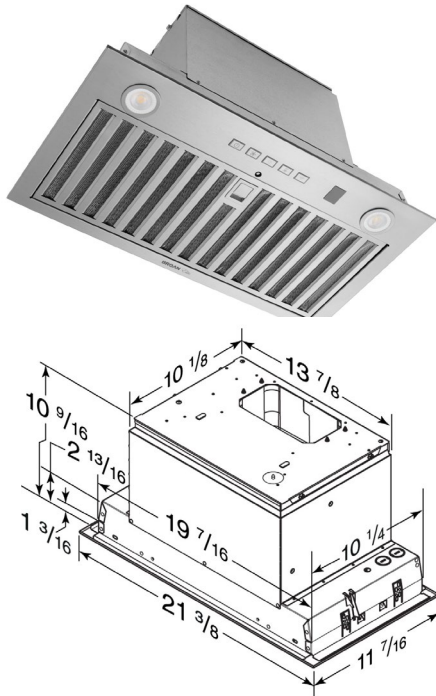
- Works with Fabuwood Stainless Steel Interior Hood Liners.
- Available for all Fabuwood Allure wood Hoods
- Powerful 450 MAX Blower CFM operates at 1 zone at normal speed.
- Bright 1-level, heat resistant LED modules enhance your cooking experience.
- Up-front 3-Speed rotary controls makes operation easy.
- Dishwasher-safe aluminum mesh filters feature quick-release latch for easy removal.
- ENERGY STAR certified custom range hood insert.
- Optional non-duct recirculation kit (RHBB DCT) and filters (RHBB FLTR) available for indoor exhaust recirculation to suit your needs.
- Comes with Broan-NuTone one (1) year Limited Warranty. Refer to installation guide for full details.

**NOTE:** Dealers should refer to the Heating Appliance Manufacturer's Specifications for individual ventilation requirements. Fabuwood is not responsible for improper blower selection or installation.





## Hood Ventilation Systems



### 600 CFM STAINLESS VENTILATOR

#### ITEM

RHBB 600 CFM

- Works with Fabuwood Stainless Steel Interior Hood Liners.
- Available for all Fabuwood Allure wood Hoods
- Broan® SmartSense® Auto Operation adjusts the fan speed based on the heat coming from your range so you never have to worry about adjusting the speed while cooking.
- Powerful 650 Max Blower CFM and Ultra-quiet 0.5 sone at normal speed.
- WiFi connectivity enables hands-free operation with voice activation using Alexa or Google Assistant.
- 4-Speed back-lit soft touch control features a smooth, easy-to-clean surface
- Bright 2-level, heat resistant LED modules enhance your cooking experience
- Dishwasher-safe hybrid baffle filter offers superior grease capture.
- Code Ready Technology adjusts CFM down to 300 to meet make-up air codes.
- ADA compliant, remote operation is possible using a standard UL approved wall switch. Requires ADA adapter kit, HAWRK5 (sold separately, contact Customer Service Team to request Custom Accessory)
- Optional non-duct recirculation kit (RHBB DCT) and filters available for indoor exhaust recirculation to suit your needs.
- Comes with Broan-NuTone one (1) year Limited Warranty. Refer to installation guide for full details.

**NOTE:** Dealers should refer to the Heating Appliance Manufacturer's Specifications for individual ventilation requirements. Fabuwood is not responsible for improper blower selection or installation.



### INTERIOR DUCTWORK KIT

#### ITEM

RHBB DCT

- For ductless application of Broan® RHBB Blower Inserts
- Provides use of an insert in an application where it is not feasible to duct a range hood to an external location
- Includes a RHBB FLTR charcoal filter, a soffit grille, a 90-degree stack boot, a 7 in. round duct and a 6 in. to 7 in round transition
- Use with RHBB FLTR replacement charcoal filter
- Refer to the Installation Guide provided with your range hood for proper installation and maintenance

**NOTE:** Fabuwood recommends that all hoods be vented to the outside - consult local building codes & Heating Appliance requirements prior to ordering.

### REPLACEMENT CHARCOAL FILTER

#### ITEM

RHBB FLTR

- Replacement Charcoal Filter for RHBB DCT Interior Non-Ducted Recirculation Kit

## Base Cabinets



### FULL HEIGHT SINGLE DOOR

ITEM
* B09FD
B12FD
B15FD
B18FD
B21FD

- Includes two 18" deep adjustable shelves
- \* Does not include shelf



### FULL HEIGHT DOUBLE DOOR

ITEM
B24FD
B27FD
B30FD
B33FD
B36FD
* B39FD

- Includes two 18" deep adjustable shelves
- \* Includes 1-1/2" wide center stile



### SINGLE DOOR

ITEM
B12
B15
B18
B21

- Includes one 18" deep adjustable shelf

## Base Cabinets



### DOUBLE DOOR

ITEM
B24
B27
B30

- Includes one 18" deep adjustable shelves



### DOUBLE DOOR & DRAWER

ITEM
B33
B36
* B39
* B42
* B48

- Includes one 18" deep adjustable shelves
- \* Includes 3" center stile

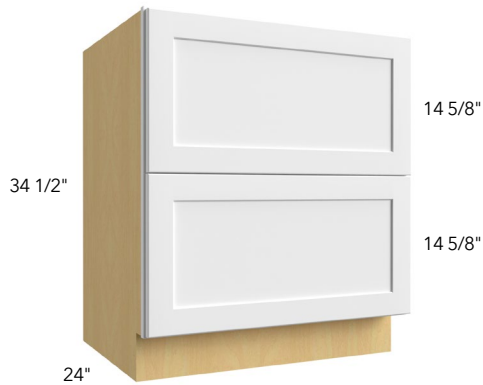


### 3 DRAWER

ITEM
DB12
DB15
DB18
DB21
DB24
DB27
DB30
DB33
DB36

- Interior depth of drawers: 19 5/8"
- Interior height of top drawer: 3"
- Interior height of bottom drawers: 7"

## Base Cabinets



### 2 DRAWER

ITEM
DB30-2
DB36-2

- Interior drawer box depth: 19 5/8"
- Interior drawer box height: 7"



### 4 DRAWER

ITEM
DB15-4
DB18-4
DB21-4

- Interior depth of drawers: 19 5/8"
- Interior height of top drawers: 3"
- Interior height of bottom drawer: 5"

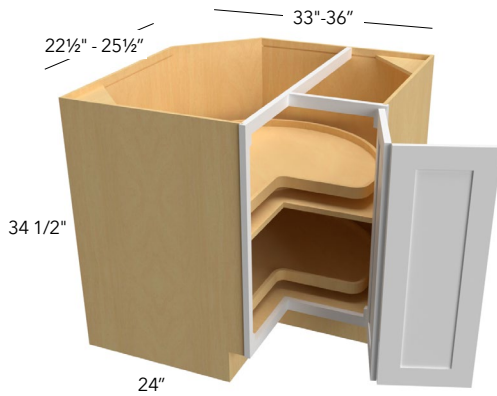


### BENCH SEAT

ITEM
<b>NEW!</b> DBS24
<b>NEW!</b> DBS30
<b>NEW!</b> DBS36

- Bench Seat follows standard base construction with open top and panel beams dovetailed into side panels

## Base Cabinets



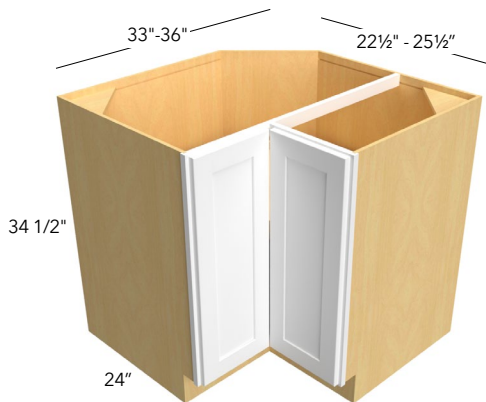
### LAZY SUSAN

#### ITEM

LSB33

LSB36

- *LSB33: Includes two 26" Pie-Cut Lazy Susan Trays*
- *LSB36: Includes two 32" Pie-Cut Lazy Susan Trays*
- *Both wooden Lazy Susan trays rotate independently*
- *Center tray is mounted on 18mm (3/4") adjustable shelf*
- *Soft close hinge not available*



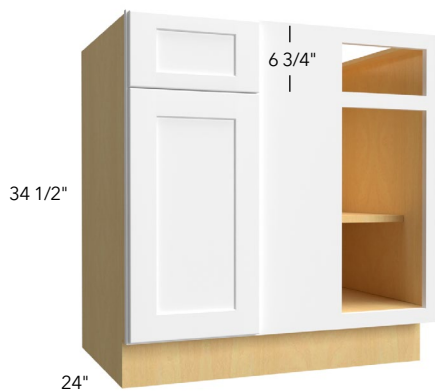
### EASY REACH

#### ITEM

ERB33

ERB36

- *Includes one adjustable shelf*
- *Soft close hinge not available*



### BLIND

#### ITEM

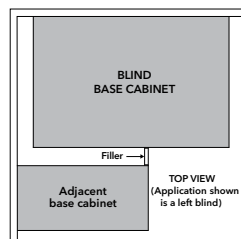
BLB36/39

BLB39/42

BLB42/45

BLB48/51

- *Must use filler on adjacent wall (not supplied)*
- *Measurements are rounded off to closest 1/8"*



	Act.	Min.	Max	Door	Stile	Open
BLB36/39	27"	36"	39"	9 3/4"	9 1/2"	7 1/4"
BLB39/42	33"	39"	42"	12 3/8"	10 1/4"	9 7/8"
BLB42/45	39"	42"	45"	15 3/8"	10 1/4"	12 7/8"
BLB48/51	48"	48"	51"	21 3/8"	7 3/8"	18 3/4"

## Sink Base Cabinets



### SINK SINGLE DOOR

ITEM
SB21



### SINK DOUBLE DOOR

ITEM
SB24
SB27
SB30



### SINK DOUBLE DOOR & DRAWER

ITEM
SB33
SB36
* SB39
* SB42

\* Includes 3" center stile

## Base Cabinets

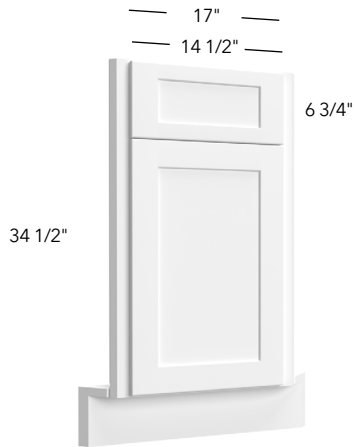


### FARM SINK

ITEM
FS30
FS33
FS36

- Cut opening on job site
- Frame has a closed apron front: Front is painted MDF (painted finishes) & MDF with veneer (stained finishes). Panel is slightly recessed from the Face Frame.
- Maximum **cutout** height 12"
- Maximum **cutout** width 1-1/2" less than the cabinet size

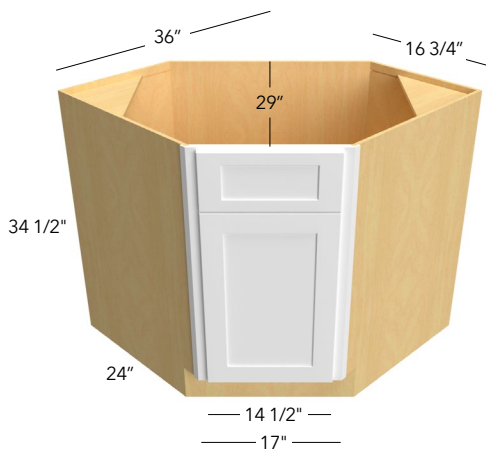
*Note: To avoid damage please apply extra care when cutting the front panel.*



### DIAGONAL SINK FRONT

ITEM
DSF36
DSFL36

- Uses 3/8" overlay hinge
- Sink front and floor must be ordered separately

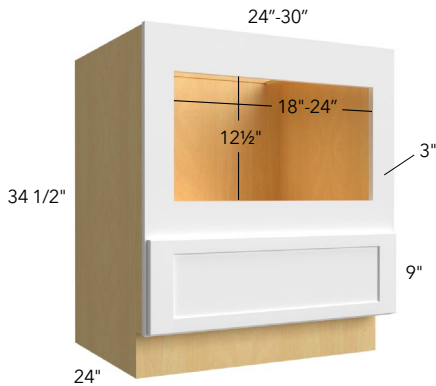


### DIAGONAL SINK

ITEM
DSB36
DSB36FD

- Uses Compact Blumotion 3/8" partial overlay soft close hinges

## Specialty Base Cabinets



### MICROWAVE

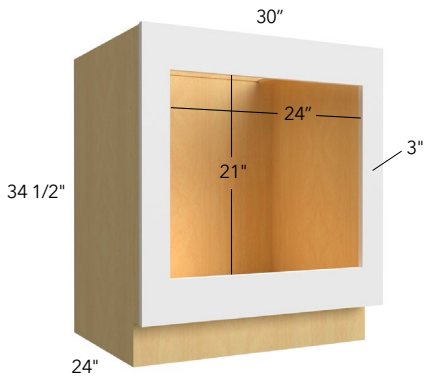
#### ITEM

BMC24

BMC30

- 3" Wide rails face frame to be trimmed on site,
- Minimum Width is 6" less than cabinet width
- Maximum **cut out** width 22-1/2" - 28-1/2"
- Minimum Height opening 12-1/2"
- Maximum **cut out** height is 18-3/4"H
- Maximum **overall** trim kit height 21"

*Note: To avoid damage to the frame & side panels, please apply extra care when cutting the front panel.*



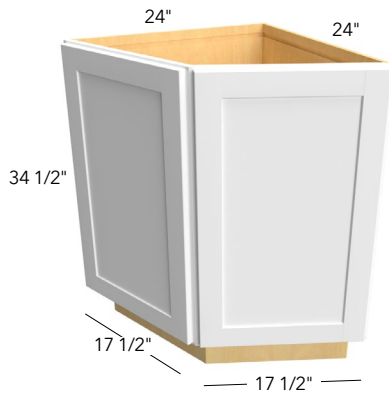
### OVEN

#### ITEM

BOC30

- 3" Wide rails face frame to be trimmed on site,
- Minimum Width opening 24"
- Maximum **cut out** width 28-1/2"
- Minimum Height opening 21"
- Maximum **cut out** height is 28"
- Maximum **overall** oven height 29-3/4"

*Note: To avoid damage to the frame & side panels, please apply extra care when cutting the front panel.*



### RETURN ANGLE

#### ITEM

BRA24

- Includes two adjustable shelves
- Available in Galaxy Frost only



**BASE TRANSITIONAL  
RIGHT SHOWN**

### TRANSITIONAL

#### ITEM

BTL12

BTR12

- Includes two adjustable shelves
- Exposed side comes pre-finished with near-flush finished end.
- Unexposed side comes flush and loose skin or applied finished end in unavailable. If interior side needs to be finished, please reach out to Customer Service to have a quote for this modification.



## Base Cabinets with Installed Accessories



**B09FD-SPOBLUM**

### SPICE PULL OUT

**ITEM**

B09FD-SPO

B09FD-SPOBLUM

B12FD-SPOBLUM

- *Accessory details on [pg. 54](#)*



**B09FD-TDPOBLUM**

### TRAY PULL OUT

**ITEM**

B09FD-TDPOBLUM

- *Accessory details on [pg. 55](#)*



**B09FD-UPO**

### UTENSIL PULL OUT

**ITEM**

B09FD-UPO

- *Accessory details on [pg. 55](#)*

## Base Cabinets with Installed Accessories



**B15-TC**

### TRASH CAN

ITEM
B15-TC
B18-TC
B21-TC

- *Accessory details on [pg. 52](#)*



**B15FD-TC**

### TRASH CAN FULL HEIGHT

ITEM
B15FD-TC
B18FD-TC
B21FD-TC

- *Accessory details on [pg. 52](#)*

## Base Cabinets with Installed Roll Out Drawers - Full Extension



**B12-1RODH SHOWN**

### ROLL OUT DRAWER SINGLE DOOR

ITEM
B12-1RODH
B12-2RODH
B15-1RODH
B15-2RODH
B18-1RODH
B18-2RODH
B21-1RODH
B21-2RODH



**B24-1RODH SHOWN**

### ROLL OUT DRAWER DOUBLE DOOR

ITEM
B24-1RODH
B24-2RODH
B27-1RODH
B27-2RODH



**B42-1RODH SHOWN**

### ROLL OUT DRAWER DOUBLE DOOR DOUBLE DRAWER

ITEM
B30-1RODH
B30-2RODH
B33-1RODH
B33-2RODH
B36-1RODH
B36-2RODH
B42-1RODH
B42-2RODH
B42-3RODH
B42-4RODH
B48-1RODH
B48-2RODH
B48-3RODH
B48-4RODH

## Base Cabinets with Installed Roll Out Drawers - Full Extension



**B12FD-1RODH SHOWN**

### ROLL OUT DRAWER FULL HEIGHT SINGLE DOOR

ITEM
B12FD-1RODH
B12FD-2RODH
B12FD-3RODH
B15FD-1RODH
B15FD-2RODH
B15FD-3RODH
B18FD-1RODH
B18FD-2RODH
B18FD-3RODH
B21FD-1RODH
B21FD-2RODH
B21FD-3RODH



**B24FD-1RODH SHOWN**

### ROLL OUT DRAWER FULL HEIGHT DOUBLE DOOR

ITEM
B24FD-1RODH
B24FD-2RODH
B24FD-3RODH
B27FD-1RODH
B27FD-2RODH
B27FD-3RODH
B30FD-1RODH
B30FD-2RODH
B30FD-3RODH
B33FD-1RODH
B33FD-2RODH
B33FD-3RODH
B36FD-1RODH
B36FD-2RODH
B36FD-3RODH

- Roll out drawers will be assembled and installed according to the quantity purchased. For custom height-placement, please email [customquotes@fabuwood.com](mailto:customquotes@fabuwood.com). A \$100 modification surcharge will apply to all custom requests.
- Accessory details on [pg.53](#)

## Base Cabinets with Installed Roll Out Drawers - Partial Extension



**B12-1RODE SHOWN**



**B24-1RODE SHOWN**



**B33-1RODE SHOWN**



**B42-1RODE SHOWN**

### ROLL OUT DRAWER SINGLE DOOR

#### ITEM

B12-1RODE

B12-2RODE

B15-1RODE

B15-2RODE

B18-1RODE

B18-2RODE

B21-1RODE

B21-2RODE

### ROLL OUT DRAWER DOUBLE DOOR

#### ITEM

B24-1RODE

B24-2RODE

B27-1RODE

B27-2RODE

### ROLL OUT DRAWER DOUBLE DOOR DOUBLE DRAWER

#### ITEM

B30-1RODE

B30-2RODE

B33-1RODE

B33-2RODE

B36-1RODE

B36-2RODE

\* B42-1RODE

\* B42-2RODE

\* B42-3RODE

\* B42-4RODE

\* B48-1RODE

\* B48-2RODE

\* B48-3RODE

\* B48-4RODE

\* Includes 3" center stile

## Base Cabinets with Installed Roll Out Drawers - Partial Extension



**B12FD-1RODE SHOWN**

### ROLL OUT DRAWER FULL HEIGHT SINGLE DOOR

ITEM
B12FD-1RODE
B12FD-2RODE
B12FD-3RODE
B15FD-1RODE
B15FD-2RODE
B15FD-3RODE
B18FD-1RODE
B18FD-2RODE
B18FD-3RODE
B21FD-1RODE
B21FD-2RODE
B21FD-3RODE



**B24FD-1RODE SHOWN**

### ROLL OUT DRAWER FULL HEIGHT DOUBLE DOOR

ITEM
B24FD-1RODE
B24FD-2RODE
B24FD-3RODE
B27FD-1RODE
B27FD-2RODE
B27FD-3RODE
B30FD-1RODE
B30FD-2RODE
B30FD-3RODE
B33FD-1RODE
B33FD-2RODE
B33FD-3RODE
B36FD-1RODE
B36FD-2RODE
B36FD-3RODE

- Roll out drawers will be assembled and installed according to the quantity purchased. For custom height-placement, please email [customquotes@fabuwood.com](mailto:customquotes@fabuwood.com). A \$100 modification surcharge will apply to all custom requests.
- Accessory details on [pg.53](#)

## 24" Deep Tall Pantry Cabinets



### SINGLE DOOR

ITEM
TP152484
TP152490
TP152496
TP182484
TP182490
TP182496

- 21" deep shelves
- 84" high - 5 shelves
- 90" & 96" high - 6 shelves
- Roll Out Drawer available on pg. 58

Tall Pantry shelves and clips are shipped together loose and will come packaged separately from the cabinet.



### DOUBLE DOOR

ITEM
TP242484
TP242490
TP242496
TP302484
TP302490
TP302496
TP362484
TP362490
TP362496

- 21" deep shelves
- 84" high - 5 shelves
- 90" & 96" high - 6 shelves
- Roll Out Drawer available on pg. 58

Tall Pantry shelves and clips are shipped together loose and will come packaged separately from the cabinet.

## 12" Deep Tall Pantry Cabinets

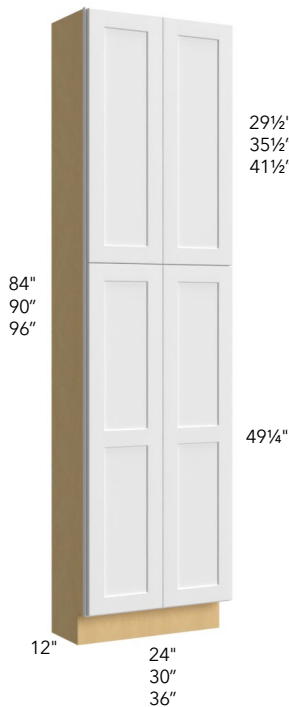


### SINGLE DOOR

ITEM
TP151284
TP151290
TP151296
TP181284
TP181290
TP181296

- Deep shelves
- 84" high - 5 shelves
- 90" & 96" high - 6 shelves
- Roll Out Drawer available on pg. 58 *NOTE: Will incur a CUT-ROD modification charge.*

*Tall Pantry shelves and clips are shipped together loose and will come packaged separately from the cabinet.*



### DOUBLE DOOR

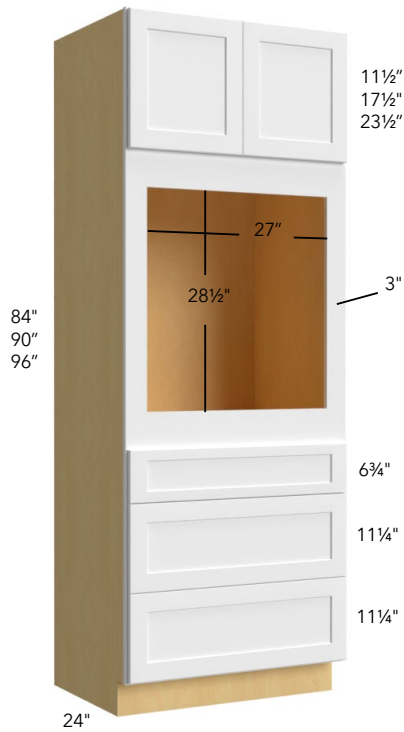
ITEM
TP241284
TP241290
TP241296
TP301284
TP301290
TP301296
TP361284
TP361290
TP361296

- Deep shelves
- 84" high - 5 shelves
- 90" & 96" high - 6 shelves
- Roll Out Drawer available on pg. 58 *NOTE: Will incur a CUT-ROD modification charge.*

*Tall Pantry shelves and clips are shipped together loose and will come packaged separately from the cabinet.*



## Oven Cabinets



### OVEN CABINET SINGLE WITH 3 DRAWERS

ITEM
OC3384S
OC3390S
* OC3396S

- \* Has one shelf in top cabinet. (Shelf and clips are shipped together loose and will come packaged separately from the cabinet)
- 3" Wide rails face frame to be trimmed on site

#### When using a Single Oven:

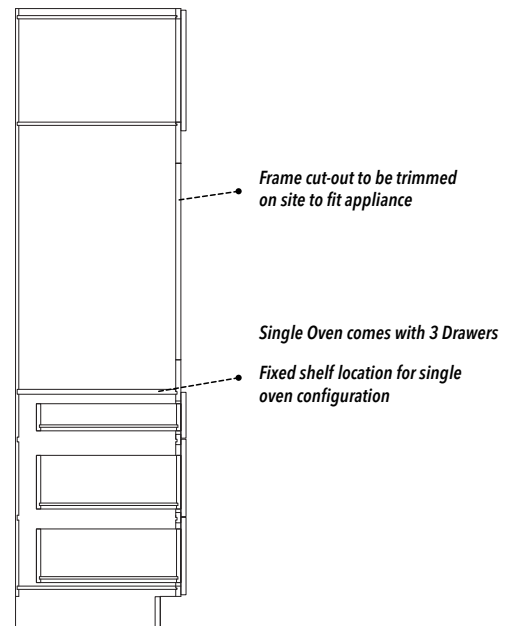
- Wide rails face frame to be trimmed on side
- Minimum Width opening 27"
- Maximum **cut out** width 31"
- Minimum Height opening 28 1/2"
- Maximum **cut out** height is 37"
- Maximum **overall** oven Height 37 1/2"

Full panel face frame to be trimmed on site (not by Fabuwood).

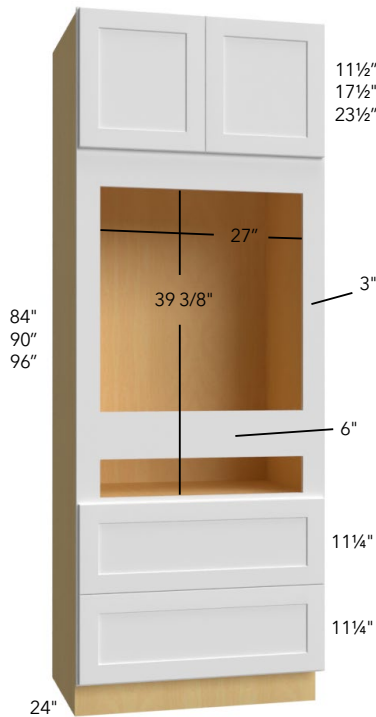
**Note:** To avoid damage to the frame & side panels, please apply extra care when cutting the front panel.

### SPECIFICATION FOR OVEN CABINET

Tall Oven Cabinets come with single fixed shelf above top drawer. Fixed shelf will be located above the uppermost drawer; location is based on the selected configurations: Single  
Frame is to be trimmed on site to accommodate configuration & appliance needs.



## Oven Cabinets



### OVEN CABINET COMBO WITH 2 DRAWERS

**ITEM**

OC3384C

OC3390C

\* OC3396C

- \* Has one shelf in top cabinet. (Shelf and clips are shipped together loose and will come packaged separately from the cabinet)
- 3" Wide rails face frame to be trimmed on site

**When using a Combo Oven:**

- Wide rails face frame to be trimmed on side
- Minimum Width opening 27"
- Maximum **cut out** width 31"
- Minimum **cut out** height 39 3/8"
- Maximum **cut out** height is 44"
- Maximum **overall** oven Height 44 5/8"

**When using two appliances:**

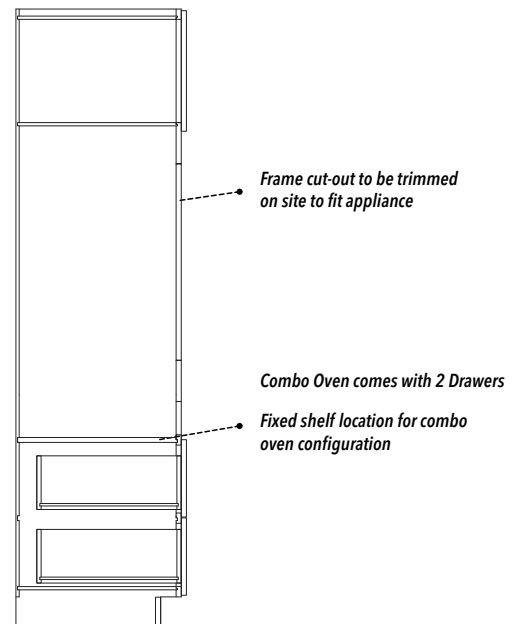
- Will need to insert a filler and fixed shelf to support top appliance, filler and shelf to be purchased separately

Full panel face frame to be trimmed on site (not by Fabuwood).

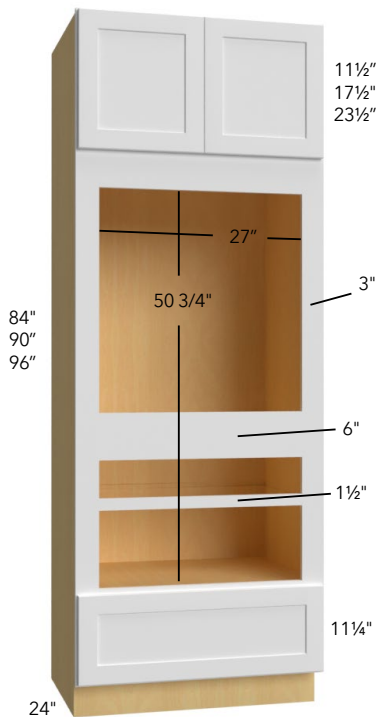
*Note: To avoid damage to the frame & side panels, please apply extra care when cutting the front panel.*

### SPECIFICATION FOR OVEN CABINET

Tall Oven Cabinets come with single fixed shelf above top drawer. Fixed shelf will be located above the uppermost drawer; location is based on the selected configurations: Combo  
Frame is to be trimmed on site to accommodate configuration & appliance needs.



## Oven Cabinets



### OVEN CABINET DOUBLE WITH 1 DRAWER

ITEM
OC3384D
OC3390D
* OC3396D

- \* Has one shelf in top cabinet. (Shelf and clips are shipped together loose and will come packaged separately from the cabinet)
- 3" Wide rails face frame to be trimmed on site

**When using a Double Oven:**

- Wide rails face frame to be trimmed on side
- Minimum Width opening 27"
- Maximum cut out width 31"
- Minimum cut out height is 50 3/4"
- Maximum cut out height is 55 1/2"
- Maximum overall oven Height 56"

**When using two appliances:**

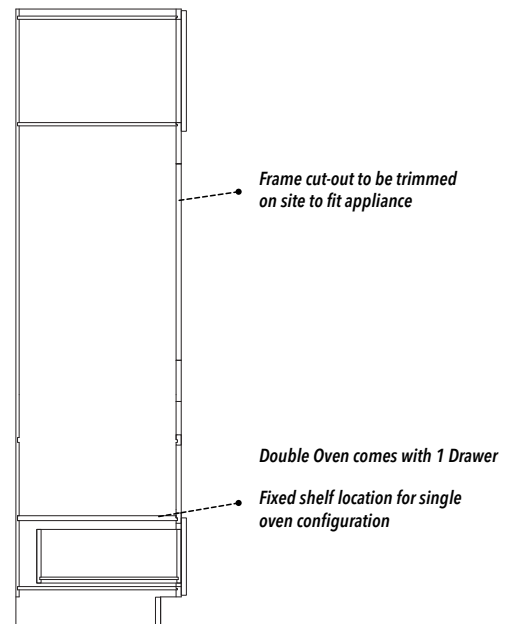
Will need to insert a filler and fixed shelf to support top appliance, filler and shelf to be purchased separately

Full panel face frame to be trimmed on site (not by Fabuwood).

Note: To avoid damage to the frame & side panels, please apply extra care when cutting the front panel.

### SPECIFICATION FOR OVEN CABINET

Tall Oven Cabinets come with single fixed shelf above top drawer. Fixed shelf will be located above the uppermost drawer; location is based on the selected configurations: Double  
Frame is to be trimmed on site to accommodate configuration & appliance needs.



## 24" Deep Tall Pantry with Installed Roll Out Drawers



**TP152490-1RODH SHOWN**

### SINGLE DOOR

ITEM
TP152484-2RODH
TP152484-3RODH
TP152484-4RODH
TP152490-2RODH
TP152490-3RODH
TP152490-4RODH
TP152496-2RODH
TP152496-3RODH
TP152496-4RODH
TP182484-2RODH
TP182484-3RODH
TP182484-4RODH
TP182490-2RODH
TP182490-3RODH
TP182490-4RODH
TP182496-2RODH
TP182496-3RODH
TP182496-4RODH



**TP242490-1RODH SHOWN**

### DOUBLE DOOR

ITEM
TP242484-2RODH
TP242484-3RODH
TP242484-4RODH
TP242490-2RODH
TP242490-3RODH
TP242490-4RODH
TP242496-2RODH
TP242496-3RODH
TP242496-4RODH
TP302484-2RODH
TP302484-3RODH
TP302484-4RODH
TP302490-2RODH
TP302490-3RODH
TP302490-4RODH
TP302496-2RODH
TP302496-3RODH
TP302496-4RODH

• Roll out drawers will be assembled and installed according to the quantity purchased. For custom height-placement, please email [customquotes@fabuwood.com](mailto:customquotes@fabuwood.com). A \$100 modification surcharge will apply to all custom requests.

## 12" Deep Tall Pantry Cabinets with Installed Roll Out Drawers



**TP151290-1RODH SHOWN**

### SINGLE DOOR

ITEM
TP151284-2RODH
TP151284-3RODH
TP151284-4RODH
TP151290-2RODH
TP151290-3RODH
TP151290-4RODH
TP151296-2RODH
TP151296-3RODH
TP151296-4RODH
TP181284-2RODH
TP181284-3RODH
TP181284-4RODH
TP181290-2RODH
TP181290-3RODH
TP181290-4RODH
TP181296-2RODH
TP181296-3RODH
TP181296-4RODH



**TP241290-1RODH SHOWN**

### DOUBLE DOOR

ITEM
TP241284-2RODH
TP241284-3RODH
TP241284-4RODH
TP241290-2RODH
TP241290-3RODH
TP241290-4RODH
TP241296-2RODH
TP241296-3RODH
TP241296-4RODH
TP301284-2RODH
TP301284-3RODH
TP301284-4RODH
TP301290-2RODH
TP301290-3RODH
TP301290-4RODH
TP301296-2RODH
TP301296-3RODH
TP301296-4RODH

- Roll out drawers will be assembled and installed according to the quantity purchased. For custom height-placement, please email [customquotes@fabuwood.com](mailto:customquotes@fabuwood.com). A \$100 modification surcharge will apply to all custom requests.

## 24" Deep Tall Pantry with Installed Roll Out Drawers



**TP152490-1RODE SHOWN**

### SINGLE DOOR

ITEM
TP152484-2RODE
TP152484-3RODE
TP152484-4RODE
TP152490-2RODE
TP152490-3RODE
TP152490-4RODE
TP152496-2RODE
TP152496-3RODE
TP152496-4RODE
TP182484-2RODE
TP182484-3RODE
TP182484-4RODE
TP182490-2RODE
TP182490-3RODE
TP182490-4RODE
TP182496-2RODE
TP182496-3RODE
TP182496-4RODE



**TP242490-1RODE SHOWN**

### DOUBLE DOOR

ITEM
TP242484-2RODE
TP242484-3RODE
TP242484-4RODE
TP242490-2RODE
TP242490-3RODE
TP242490-4RODE
TP242496-2RODE
TP242496-3RODE
TP242496-4RODE
TP302484-2RODE
TP302484-3RODE
TP302484-4RODE
TP302490-2RODE
TP302490-3RODE
TP302490-4RODE
TP302496-2RODE
TP302496-3RODE
TP302496-4RODE

• Roll out drawers will be assembled and installed according to the quantity purchased. For custom height-placement, please email [customquotes@fabuwood.com](mailto:customquotes@fabuwood.com). A \$100 modification surcharge will apply to all custom requests.

## 12" Deep Tall Pantry Cabinets with Installed Roll Out Drawers



**TP151290-1RODE SHOWN**

### SINGLE DOOR

ITEM
TP151284-2RODE
TP151284-3RODE
TP151284-4RODE
TP151290-2RODE
TP151290-3RODE
TP151290-4RODE
TP151296-2RODE
TP151296-3RODE
TP151296-4RODE
TP181284-2RODE
TP181284-3RODE
TP181284-4RODE
TP181290-2RODE
TP181290-3RODE
TP181290-4RODE
TP181296-2RODE
TP181296-3RODE
TP181296-4RODE



**TP241290-1RODE SHOWN**

### DOUBLE DOOR

ITEM
TP241284-2RODE
TP241284-3RODE
TP241284-4RODE
TP241290-2RODE
TP241290-3RODE
TP241290-4RODE
TP241296-2RODE
TP241296-3RODE
TP241296-4RODE
TP301284-2RODE
TP301284-3RODE
TP301284-4RODE
TP301290-2RODE
TP301290-3RODE
TP301290-4RODE
TP301296-2RODE
TP301296-3RODE
TP301296-4RODE

- Roll out drawers will be assembled and installed according to the quantity purchased. For custom height-placement, please email [customquotes@fabuwood.com](mailto:customquotes@fabuwood.com). A \$100 modification surcharge will apply to all custom requests.

Vanities



**FULL HEIGHT SINGLE DOOR VANITY BASE**

ITEM
VB12FD
VB15FD

- Shelf depth: 18"



**FULL HEIGHT DOUBLE DOOR VANITY BASE**

ITEM
VB24FD
VB27FD
VB30FD
VB33FD
VB36FD

- Shelf depth: 18"



**VANITY BASE**

ITEM
VB12-34
VB15-34
VB18-34
VB24-34
VB30-34

- 2" clearance between drawer and back panel
- Shelf depth: 18"



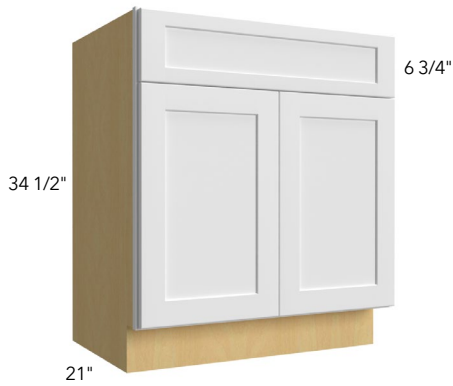
Vanities



**VANITY DRAWER BASE**

ITEM
VDB12-34
VDB15-34
VDB18-34
VDB21-34
VDB24-34

- 2" clearance between drawer and back panel



**VANITY SINK BASE**

ITEM
** VSB21-34
VSB24-34
VSB27-34
VSB30-34

- \*\* Single Door



**VANITY SINK BASE**

ITEM
VSB33-34
VSB36-34

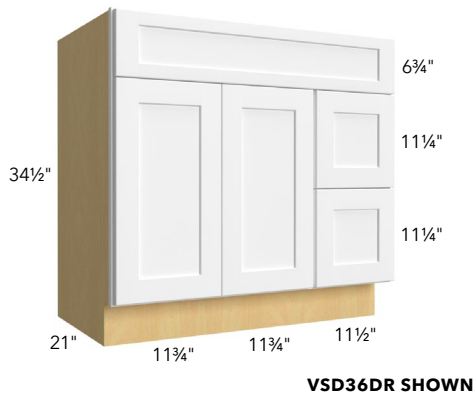
Vanities



**VANITY SINK & DRAWER COMBO**

ITEM
VSD30DR
VSD30DL

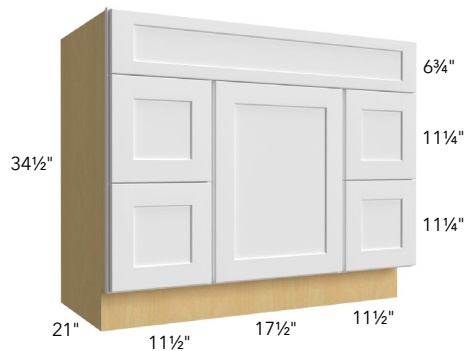
- *Not available in Nexus*
- Need to select drawer on right or left side, cabinet can't be reversed R/L after assembled.*



**VANITY SINK & DRAWER COMBO**

ITEM
VSD36DR
VSD36DL

*Need to select drawer on right or left side, cabinet can't be reversed R/L after assembled.*



**VANITY SINK & DRAWER COMBO**

ITEM
VSD42

Vanities



**VANITY SINK & DRAWER COMBO**

ITEM
VSD48



**VANITY SINK & DRAWER COMBO**

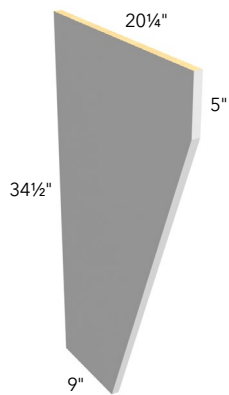
ITEM
VSD60SINGLE



**VANITY SINK & DRAWER COMBO**

ITEM
VSD60DOUBLE

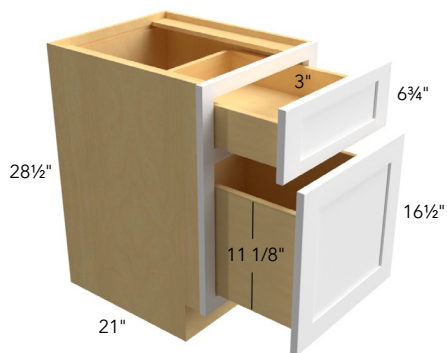
Vanities



**VANITY DESK LEG**

ITEM
VDL

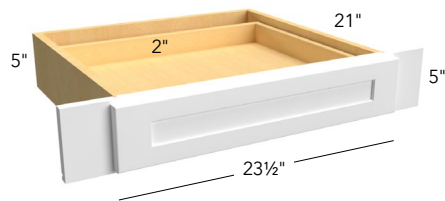
- Plywood veneer 3/4" thick
- Front matching color edge banding
- Only available in Frost



**FILE DRAWER BASE**

ITEM
FD18

- Cabinet height is 28 1/2"
- File rack not included



**KNEE DRAWER**

ITEM
KD30

- Can be trimmed up to 3" on both sides
- Blum soft close undermount
- Recessed drawer front
- Interior drawer depth: 2"

## Vanity Platforms

### SHAKER PLATFORM WITH COVE FEET



ITEM
* SPCF TP1821
SPCF V24
SPCF V30
SPCF V36
SPCF V42
SPCF V48
SPCF V60

### SHAKER PLATFORM WITH TAPER FEET



ITEM
* SPTF TP1821
SPTF V24
SPTF V30
SPTF V36
SPTF V42
SPTF V48
SPTF V60

- Shaker Vanity Platform is a 1" thick furniture-style platform with beveled edge detail.
- Designed to replace Toe Kick area for an elevated furniture-style look.
- **Select from one of two bun feet options:** pair with **Cove Bun Feet** for timeless sophistication, or **Taper Bun Feet** for a streamlined design that easily reads traditional or modern.
- May be ordered stand-alone or as an add-on accessory to a vanity cabinet.
  - » When selected as an add-on, system will include **MATCHING SIDE PANELS\*\*** and **CUT-TK** at no charge.
  - » If ordering stand-alone - dealer to specify CUT-TK and any finished ends. Standard modification charges apply.
- \* **TP1821 only:** designed for 24"D Tall Pantry. System will automatically add **CUT-TALL** at 21" deep.
- **FLUSH-BASE** is available for a separate upcharge to add near-flush finished ends.
- Bun feet come with adjustable plastic leveling feet for easy adjustment on uneven surfaces. Leveling foot projects 1/16" when fully retracted to elevate feet off finished floor. Extendable up to 1/2". Leveling foot comes pre-attached to bun foot and is non-removable.

\*\* Matching 1/2" side panels are for Signature Colors Only. Designer Collection Colors come with near-flush finished ends pre-applied.

**NOTE:** Platform & bun feet ship loose; to be installed on-site by qualified installer.



## Vanity Platforms

### VERA PLATFORM WITH COVE FEET

ITEM
* VPCF TP1821
VPCF V24
VPCF V30
VPCF V36
VPCF V42
VPCF V48
VPCF V60



### VERA PLATFORM WITH TAPER FEET

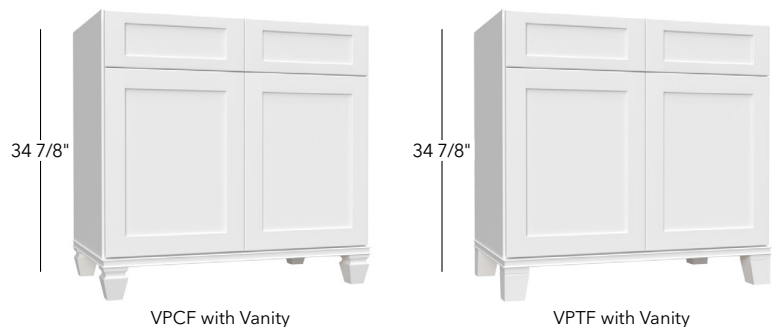
ITEM
* VPTF TP1821
VPTF V24
VPTF V30
VPTF V36
VPTF V42
VPTF V48
VPTF V60



- Shaker Vanity Platform is a 1" thick furniture-style platform with beveled edge detail.
- Designed to replace Toe Kick area for an elevated furniture-style look.
- **Select from one of two bun feet options:** pair with **Cove Bun Feet** for timeless sophistication, or **Taper Bun Feet** for a streamlined design that easily reads traditional or modern.
- May be ordered stand-alone or as an add-on accessory to a vanity cabinet.
  - » When selected as an add-on, system will include **MATCHING SIDE PANELS\*\*** and **CUT-TK** at no charge.
  - » If ordering stand-alone - dealer to specify CUT-TK and any finished ends. Standard modification charges apply.
- **\*TP1821 only:** designed for 24"D Tall Pantry. System will automatically add **CUT-TALL** at 21" deep.
- **FLUSH-BASE** is available for a separate upcharge to add near-flush finished ends.
- Bun feet come with adjustable plastic leveling feet for easy adjustment on uneven surfaces. Leveling foot projects 1/16" when fully retracted to elevate feet off finished floor. Extendable up to 1/2". Leveling foot comes pre-attached to bun foot and is non-removable.

\*\* Matching 1/2" side panels are for Signature Colors Only. Designer Collection Colors come with near-flush finished ends pre-applied.

NOTE: Platform & bun feet ship loose; to be installed on-site by qualified installer.



## Vanity Platform Loose Parts

### SHAKER PLATFORM

ITEM
* SPF TP1821
SPF V24
SPF V30
SPF V36
SPF V42
SPF V48
SPF V60



### VERA PLATFORM

ITEM
* VPF TP1821
VPF V24
VPF V30
VPF V36
VPF V42
VPF V48
VPF V60



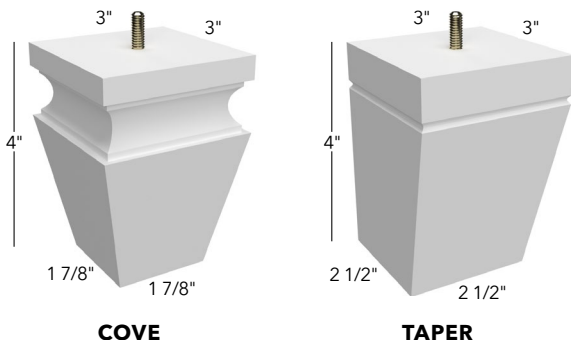
- Shaker Vanity Platform: is a 1" thick furniture-style platform with beveled edge detail.
- Vera Vanity Platform is a 1" thick furniture-style platform with U-Shaped curve detail.
- Platforms are 3/8" wider than cabinet and design to sit proud on either side and in front of cabinet. When installed in combination with bun feet, Vanty Platform adds 5" in height in place of Toe Kick. Solid wood trim detail with select plywood core.
- Individual platform comes pre-drilled for bun feet installation (ordered separately). Includes support beam for easy alignment of cabinet during installation.

\* TP1821 only: Designed for 24"D Tall Pantry. System will automatically add CUT-TALL at 21" deep.

**NOTE:** Does not come with cabinet or bun feet. Dealer to specify CUT-TK and any Finished Sides on coordinating cabinets; standard modification charges will apply. Vanity Platform is to be installed on site by qualified installer.

### BUN FEET

ITEM
CBF
TBF



- 3" x 3" x 4" high
- Cove bun foot: has a tapered base with decorative cove detail at top.
- Taper bun foot: has 2 tapered and 2 straight edges with a notch detail at top.
- Bun feet come with adjustable plastic leveling for easy adjustment on uneven surfaces. Leveling foot projects 1/16" when fully retracted to elevate feet off finished floor. Extendable up to 1/2". Leveling foot comes pre-attached to bun foot and is non-removable.

**NOTE:** Single bun foot. Order total quantity needed when placing order for loose bun feet.

## Waste Solutions

TC18 BLUM, TC21 BLUM



TC15 BLUM



### TRASH CAN (BLUM SLIDES)

ITEM

\* TC15 BLUM

TC18 BLUM

TC21 BLUM

\*\* TCV15 BLUM

- Tandem plus Blumotion full extension concealed drawer runners
- Cabinet not included, cabinet must be ordered separately
- 2 - 35 qt. cans included
- Not for ADA cabinet use
- \* Single 35 qt. can + one bags bin
- \*\* Smaller depth for vanity cabinets

TC18FHD BLUM, TC21FHD BLUM



TC15FHD BLUM



### TRASH CAN FULL HEIGHT DOOR (BLUM SLIDES)

ITEM

\* TC15FHD BLUM

TC18FHD BLUM

TC21FHD BLUM

- Tandem plus Blumotion full extension concealed drawer runners
- Cabinet not included, cabinet must be ordered separately
- 2 - 50 qt. can included
- Not for ADA cabinet use
- FULL-DOORS modification is required
- \* Single 50 qt. can + one bags bin



## Base Accessories



### ROLL OUT (PARTIAL EXTENSION BLUM SLIDES)

#### ITEM

ROD-B15 BLUM E

ROD-B18 BLUM E

ROD-B21 BLUM E

ROD-B24 BLUM E

ROD-B27 BLUM E

ROD-B30 BLUM E

ROD-B33 BLUM E

ROD-B36 BLUM E

- Cabinet not included
- Price is for a single Roll Out drawer
- Blumotion partial extension concealed drawer runners
- Drawers are adjustable
- Can be used for pantries

For increased drawer depth or custom height-placement, please email [customquotes@fabuwood.com](mailto:customquotes@fabuwood.com).  
A \$100 modification surcharge will apply to all custom requests.



### ROLL OUT (FULL EXTENSION BLUM SLIDES)

#### ITEM

ROD-B15 BLUM H

ROD-B18 BLUM H

ROD-B21 BLUM H

ROD-B24 BLUM H

ROD-B27 BLUM H

ROD-B30 BLUM H

ROD-B33 BLUM H

ROD-B36 BLUM H

- Cabinet not included
- Price is for a single Roll Out drawer
- Blumotion full extension concealed drawer runners
- Drawers are adjustable
- Can be used for pantries

For increased drawer depth or custom height-placement, please email [customquotes@fabuwood.com](mailto:customquotes@fabuwood.com).  
A \$100 modification surcharge will apply to all custom requests.

## Base Accessories

### 18" HEAVY DUTY MIXER LIFT



ITEM

NEW!

MLU-B18

- Cabinet not included; cabinet must be ordered separately
- Soft-close mechanism features built-in shock dampeners with adjustable spring tension
- Load Capacity: 60 lb (27kg)
- Silver Steel Mechanism with Maple Wood Block Shelf
- Shelf is 20"(L) x 11-3/4" (W) x 1-3/8" (H)

**NOTE: For B18FD Only. Will not work in a door/drawer configuration.**

### 3" TOWEL BAR PULL OUT



ITEM

TBPO-BF3

- Filler & Overlay Filler are required and need to be ordered separately
- 2 Towel bars
- Single static shelf with chrome wire accents
- UV coated maple wood
- Installed on site
- Installed between two cabinets
- Full-extension, ball-bearing slides with soft-close

### SPICE PULL OUT BASE



ITEM

\* SPO-B9

SPO-B9 BLUM

SPO-B12 BLUM

- Cabinet not included, cabinet must be ordered separately
- Chrome rails
- Adjustable shelves
- UV coated maple wood
- Not for ADA cabinet use
- \* Full extension ball-bearing slides (not soft-close)

## Base Accessories



### TWO-TIER COOKWARE ORGANIZER

#### ITEM

CWO-B18 BLUM

CWO-B24 BLUM

- Cabinet not included
- Full-extension Blum slides
- Pegboard bottoms
- 4 Press-in pegs included



### 9" UTENSIL PULL OUT

#### ITEM

UPO-B9 BLUM

- Cabinet not included, cabinet must be ordered separately
- Chrome rails
- Adjustable shelves
- UV coated maple wood
- Not for ADA cabinet use
- Features Blumotion soft-close drawer slides

### UTENSIL & KNIFE PULL OUT

#### ITEM

UKBPO-B12 BLUM

**NEW!**

UKBPO-B15 BLUM

- Cabinet not included, cabinet must be ordered separately
- Designed for full height base cabinet
- Knife block features flex rod technology that adjust to securely hold knives
- Chrome rails
- Adjustable top shelf
- Removable stainless steel bin(s) included
  - » UKBPO-B12 BLUM: Includes one 2 qt. bin
  - » UKBPO-B15 BLUM: Includes one 2 qt. bin & three 1 ¼ qt. bins
- 4 flexible plastic cutting mats included
- UV coated maple wood
- Not for ADA cabinet use
- Features Blumotion soft-close drawer slides



UKBPO-B12 BLUM



UKBPO-B15 BLUM



### 9" TRAY DIVIDER PULL OUT

#### ITEM

TDPO-B9 BLUM

- Cabinet not included, cabinet must be ordered separately
- UV coated maple wood
- Not for ADA cabinet use
- Features Blumotion soft-close drawer slides

## Base & Wall Accessories



### SPICE PULL OUT BASE FILLER

ITEM
* SPO-BF3
SPO-BF3 BLUM
* SPO-BF6
SPO-BF6 BLUM

- Filler & Overlay Filler are required and need to be ordered separately
- Chrome rails
- Adjustable shelves
- UV coated maple wood
- Installed on site between two cabinets
- Not for ADA cabinet use
- Wall filler 30" high is recommended instead of a base filler, requires to build toe kick separately
- \* Full extension ball-bearing slides (not soft-close)



### SPICE PULLOUT WALL FILLER

ITEM
SPO-WF330
SPO-WF336
SPO-WF342
SPO-WF630
SPO-WF636
SPO-WF642

- Filler & Overlay Filler are required and need to be ordered separately
- Chrome rails
- Full extension ball-bearing slides (BLUM soft-close slides not available)
- Adjustable shelves
- UV coated maple wood
- Installed on site between two cabinets



### BLIND BASE PULL OUT

ITEM
BPOBLB48/51-R
BPOBLB48/51-L

- Includes two trays per accessory
- Load Capacity: 55lb (25kg) per tray
- Maple/Champagne Finish

**BPOBLB48/51-L**

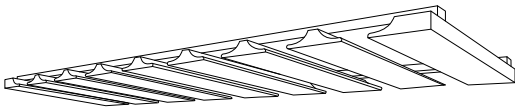
## Wall Accessories



### LAZY SUSAN

	ITEM
PLASTIC	LSP24 30
	LSP24 36/42
WOOD	LSW24 30
	LSW24 36/42
	* LSW27 30
	* LSW27 36/42

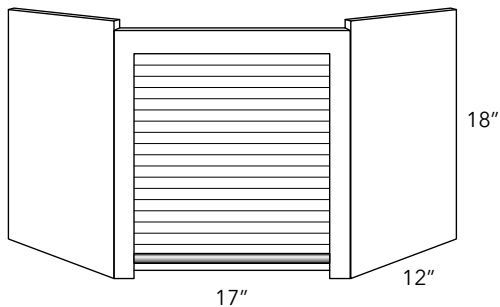
- Adjustable metal post
- 42" lazy susan has 3 trays
- Prepared for installation at job site
- 42" poles can be cut to fit 36" high cabinet
- \* 20" trays



### STEMWARE RACK

ITEM
STMW30
STMW36

- Comes unfinished. Product finished per order. May have extended ETA.

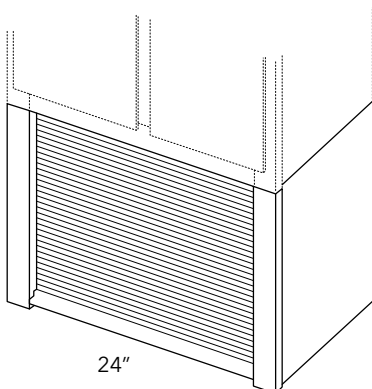


### CORNER APPLIANCE GARAGE

ITEM
WDCAG2418

- Comes unfinished. Product finished per order. May have extended ETA
- Designed to be installed under a diagonal corner wall 24".

**Note:** Appliance garages ship unassembled. Assembly required for installation on-site.



### STRAIGHT APPLIANCE GARAGE

ITEM
WAG2418

- Comes unfinished. Product finished per order. May have extended ETA
- Designed to be placed under a 24" wide wall cabinet.
- Stiles are 2" wide

**Note:** Appliance garages ship unassembled. Assembly required for installation on-site.

## Wall Accessories



### FLOATING SHELF

ITEM
FLS24
FLS30
FLS36
FLS42
FLS48
FLS54

- Includes hanging bracket & mounting hardware
- Dimensions:  
Width: 24", 30", 36", 42", 48", 54"  
Height - 2½"  
Depth - 10"
- Floating shelves are finished at the time of order placement and may extend the ETA on the order



### FLOATING SHELF - WALNUT

ITEM
FLS24 WALNUT
FLS30 WALNUT
FLS36 WALNUT
FLS42 WALNUT
FLS48 WALNUT
FLS54 WALNUT

- Includes hanging bracket & mounting hardware
- Dimensions:  
Width: 24", 30", 36"  
Height - 2½"  
Depth - 10"



### FLOATING SHELF - STAINLESS STEEL

ITEM
SSFLS36

- Includes hanging bracket & mounting hardware
- Dimensions:  
Width - 36"  
Height - 2½"  
Depth - 10"

**NOTE:** Stainless Steel Floating Shelves have been discontinued. Limited quantities of SSFLS36 available while supplies last.

## Sink Accessories



### TILT OUT

ITEM

TILTOUT 11"

TILTOUT 14"

TILTOUT 24"

- Includes installation
- White plastic tray



### SINK MAT

ITEM

UNDER SINK MAT

- Product will be cut to size when purchased as accessory for cabinet.
- Product Purchased Separately will ship loose in 48"x30" Sheets.
- Grey waterproof polystyrene mat with stainless steel detail

## Drawer Accessories



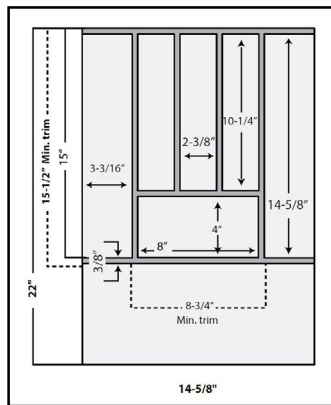
### TRIMMABLE CUTLERY INSERT

ITEM

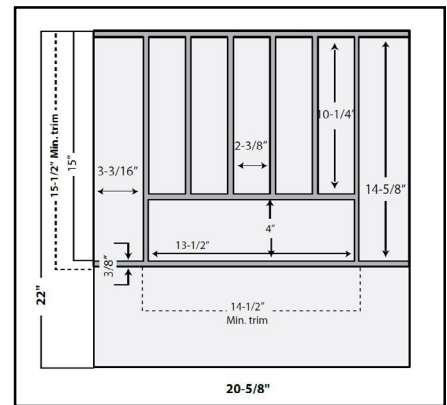
CD-S

CD-L

- UV coated maple wood
- 3/8" dividers
- 2 1/2" interior height
- 3/8" plywood bottom
- Includes installation



CD-S



CD-L

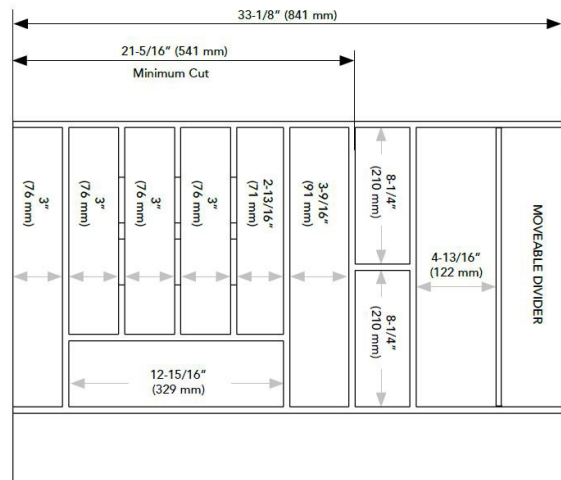


### WIDE TRIMMABLE CUTLERY INSERT

ITEM

CD-XL

- Designed for 36" or smaller base cabinet drawers
- UV coated maple wood
- 3/8" dividers
- 2 1/2" interior height
- 3/8" plywood bottom
- Includes installation





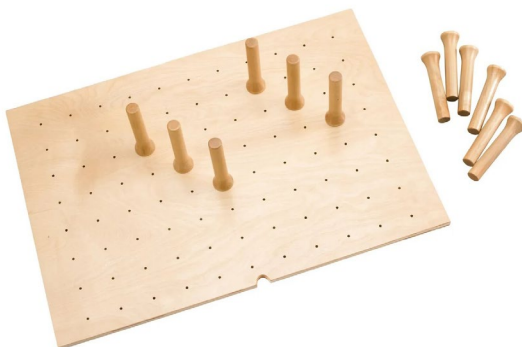
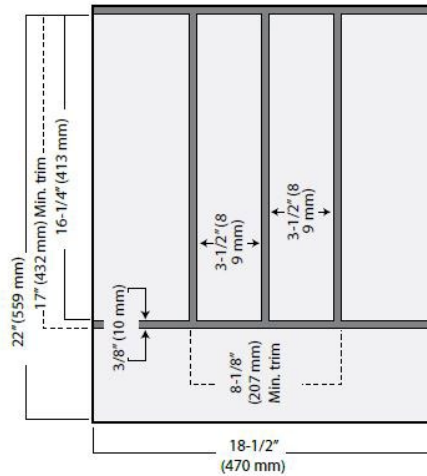
## Drawer Accessories



### TRIMMABLE UTENSIL INSERT

ITEM
UT-15/24

- To fit 15" - 24" drawer
- Minimum cut width 8-1/2" W, Max 18-1/2" W. In a 24"W cabinet, will have extra room.
- UV coated maple wood
- 3/8" dividers
- 2 1/2" interior height
- 3/8" plywood bottom
- Includes installation



### DRAWER PEGBOARD SYSTEM

	ITEM
<b>NEW!</b>	DPS-18/27
<b>NEW!</b>	DPS-30/33

- Compatible with Three Drawer Base Cabinets (middle and bottom drawers only) and Two Drawer Base Cabinets
- Boards are cut-to-size during assembly to fit drawer box (includes installation)
- Maple wood with semi-gloss finish
- Pre-drilled placement holes are 2 1/2" apart in both directions
- Available as loose accessory (to be trimmed on site)
- DPS-18/27:
  - » To fit 18" - 27" drawer
  - » Includes nine 6" tall adjustable peg inserts
- DPS-30/33:
  - » To fit 30" - 33" drawer
  - » Includes twelve 6" tall adjustable peg inserts

## Drawer Accessories



### TIERED DEEP DRAWER

#### ITEM

DTD-DB30 BLUM

DTD-DB36 BLUM

- For DB30 & DB36 only
- Replaces the original drawer box of cabinet
- UV coated maple wood
- Drawer front not included
- 3 drawer compartments
- Blumotion full extension concealed drawer runners



### CUTTING BOARD & KNIFE DRAWER

#### ITEM

CBKD-B18 BLUM

- For 18" cabinet drawer only
- Replaces the original drawer box of cabinet
- UV coated maple wood
- Up to 4 compartments and built-in knife organizer
- 1 wooden cutting board
- Blumotion full extension concealed drawer runners



### CHARGING DRAWER

#### ITEM

CHD-B18 BLUM

- For 18" cabinet drawer only
- Replaces the original drawer box of cabinet
- UV coated maple wood
- Blumotion full extension concealed drawer runners
- (2) 120V plugs and (2) 201 amp USB ports
- Tamper resistant outlets
- Max current: AC: 12 amps @ 120VAC; USB 2.1 amp & 5 VDC
- Power cord with NEMA 5 - 15 plug
- Integrated cord guide to ensure safe operation
- Shock absorbent mat, black
- Overall safety of this product is determined by its end use

## Drawer Accessories



### 2-TIER CUTLERY DRAWER

#### ITEM

DCD-15 BLUM

DCD-18 BLUM

DCD-21 BLUM

DCD-24 BLUM

- UV coated maple wood
- Includes complete 3¾" high drawer box
- Features Blum soft-close slides



### 2-TIER CUTLERY COMBO DRAWER

#### ITEM

DCD-30 BLUM

\* DCD-36 BLUM

- UV coated maple wood
- Includes complete 3¾" high drawer box
- Features Blum soft-close slides
- \* For DB36 only



### TRIMMABLE KNIFE DIVIDER

#### ITEM

DKI-18/24

- UV coated maple wood
- Total height: 2"
- ¾" plywood bottom

## Vanity Accessories



### VANITY OUTLET GROOMING ORGANIZER

#### ITEM

VGO12FD BLUM

- Cabinet not included, cabinet must be ordered separately
- Designed for 12" full height cabinet
- 2 removable stainless steel bins included
- 2 shelves with non-skid vinyl lining and acrylic accents
- In-drawer receptacle with (2) 120V plugs
- Tamper-resistant outlets
- Max Current: AC: 12 amps @ 120VAC
- Power cord with NEMA 5 - 15 plug
- Integrated cord guide ensures safe operation
- Drawer stop prevents items from being stored "ON" inside the cabinet
- Its end-use determines the overall safety of this product
- UV coated maple wood
- Not for ADA cabinet use
- Blumotion full extension concealed drawer runners



### TRIMMABLE VANITY DRAWER ORGANIZER INSERT

#### ITEM

VDO

- Designed for 21" or smaller vanity base drawers
- Fits perfectly for KD30 cabinet
- Anti-skid vinyl lining
- Up to 13 compartments
- 2 clear acrylic lids
- UV coated maple wood



### VANITY APPLIANCE STORAGE RACK

#### ITEM

VASR-30

- Designed for 30" vanity base cabinet
- Mounts to inside of right or left door
- Non-skid lining on lower level shelf
- (2) 1.25 qt. stainless steel bins
- UV coated maple wood

## Vanity Accessories



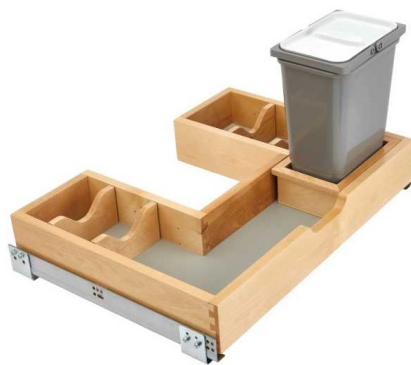
### VANITY ORGANIZER PULL OUT

ITEM

VOPO-24 BLUM

- Reversible
- 6 Acrylic bins included
- Blumotion full extension concealed drawer runners
- For VSB24-34

*\*Pull-out's shorter depth is designed for 24" Vanity Sink Base, but will also work in standard depth base cabinets. If used in standard base, there will be additional space in rear of cabinet once unit is installed.*



### U-SHAPED VANITY SINK BASE PULL OUT

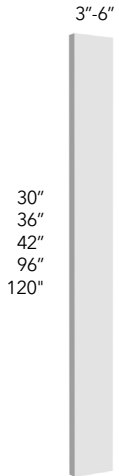
ITEM

UVTCPO-30 BLUM

- Tandem plus Blumotion full extension drawer runners
- Designed for 30" Vanity Sink Base, but works great in standard depth base cabinets as well
- Non-skid vinyl lining
- 4 adjustable dividers
- 8 qt. waste container included

*Any accessories can be ordered and installed through Fabuwood*

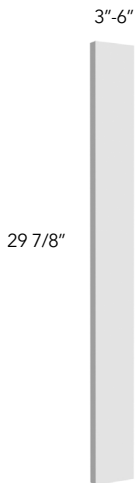
## Fillers



### WALL & TALL

ITEM
WF330
WF336
WF342
WF630
WF636
WF642
TF396
TF696
<b>NEW!</b> TF3120

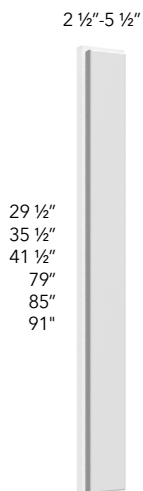
- Wall/Tall Fillers are finished on all four edges and front face
- Spice Pullout available on pg. 61



### BASE

ITEM
BF3
BF6

- Base Fillers are finished on long edges and front face
- Spice Pullout available on pg. 61



### OVERLAY

ITEM
* OLF330
* OLF336
* OLF342
*♦ OLF384
*♦ OLF390
*♦ OLF396
** OLF630
** OLF636
** OLF642

- \* Actual width: 2 1/2"
- \*\* Actual width: 5 1/2"
- All four edges and front face of Overlay Filler are finished
- Back filler to be ordered separately
- ♦ Height is 5" less than the cabinet height

## Valances



### STRAIGHT

**ITEM**

VST96

- *Edge profile*



**FUSION  
PROFILE**



**GALAXY/LUNA  
PROFILE**



**IMPERIO  
PROFILE**



**NEXUS  
PROFILE**



**ONYX  
PROFILE**



### ARCHED

**ITEM**

VAR36

VAR54

- *Edge profile*
- *Can be trimmed up to 3" on each side*



**FUSION  
PROFILE**



**GALAXY/LUNA  
PROFILE**



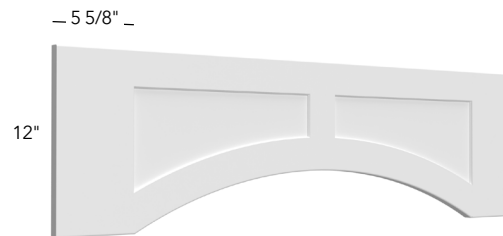
**IMPERIO  
PROFILE**



**NEXUS  
PROFILE**



**ONYX  
PROFILE**



### ARCHED-RECESSED PANEL

**ITEM**

VARP36

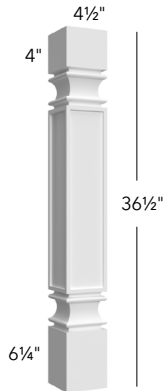
VARP42

VARP48

VARP54

- *Not available in Luna*
- *Can be trimmed up to 3" on each side*

Posts

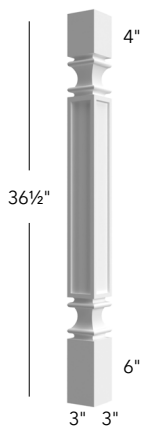


**STANDARD POST**

ITEM
SP36

- Must trim 2" from top or bottom

*Disclaimer: Posts are handmade and may therefore feature inconsistencies in shape or form. These are in no way considered defects.*

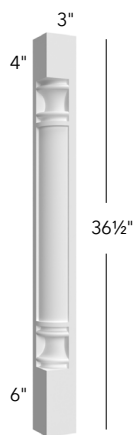


**STANDARD POST**

ITEM
SP3X3

- Must trim 2" from top or bottom

*Disclaimer: Posts are handmade and may therefore feature inconsistencies in shape or form. These are in no way considered defects.*



**CORNER POST**

ITEM
CP36

- Must trim 2" from top or bottom

*Disclaimer: Posts are handmade and may therefore feature inconsistencies in shape or form. These are in no way considered defects.*



## Pilasters and Corbels



### PLAIN PILASTER BASE & TALL

ITEM
* PP-BASE
PP-TP84
PP-TP90
PP-TP96

- \* Must trim 2" from top or bottom
- Features a toe kick block behind the pilaster

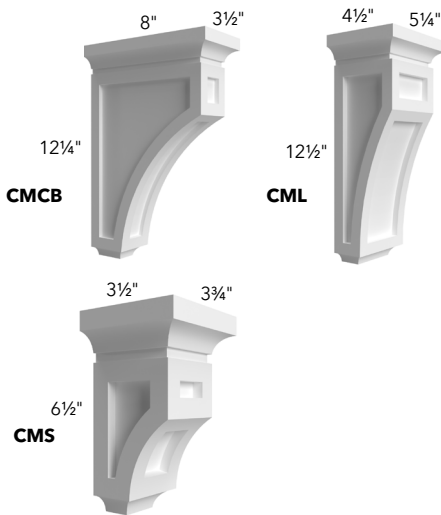
*Disclaimer: Pilasters are handmade and may therefore feature inconsistencies in shape or form. These are in no way considered defects.*



### PLAIN PILASTER WALL

ITEM
PP-W30
PP-W36
PP-W42

*Disclaimer: Pilasters are handmade and may therefore feature inconsistencies in shape or form. These are in no way considered defects.*

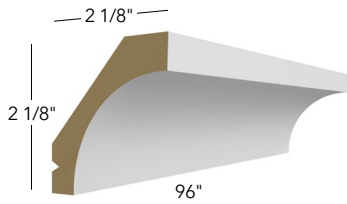


### CORBEL

ITEM
CMCB
CML
CMS

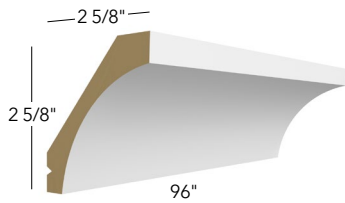
*Disclaimer: Corbels are handmade and may therefore feature inconsistencies in shape or form. These are in no way considered defects.*

## Moldings (8')



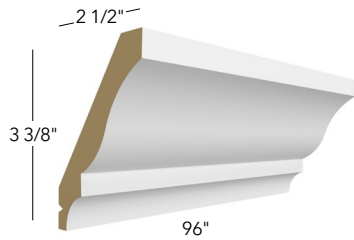
### SMALL COVE

ITEM
CM-3



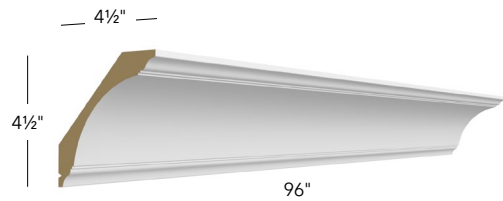
### LARGE COVE

ITEM
CM-4



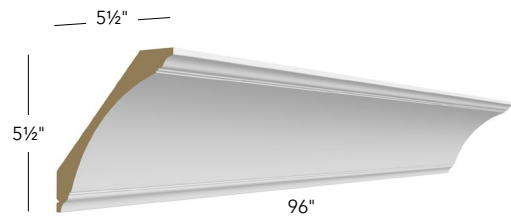
### LARGE CROWN

ITEM
CM-6



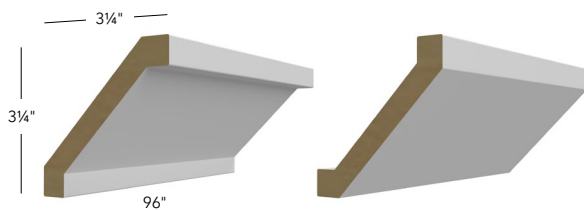
### LARGE COVE CROWN

ITEM
CM-7



### X-LARGE COVE CROWN

ITEM
CM-8

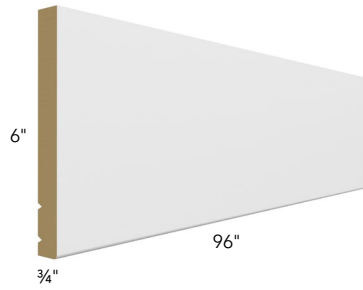


### SHAKER CROWN

ITEM
CM-9

- Reversible molding, can be installed two ways
- Available in Dove, Kona, & Indigo finishes only

## Moldings (8')



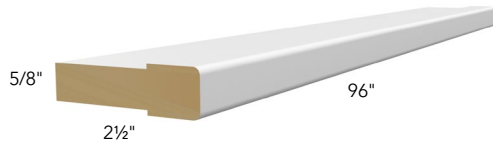
### EXTENSION

ITEM
MEX-8



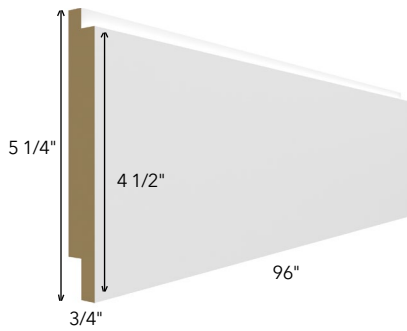
### STARTER

ITEM
STRM-8



### STACKING

ITEM
STKM-8

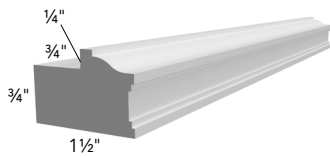


### SHIP LAP

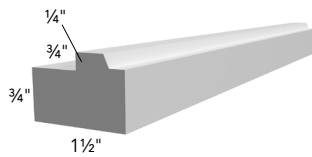
ITEM
SHL-8

### LIGHT RAIL

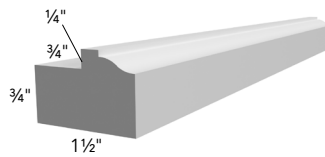
ITEM
LRM



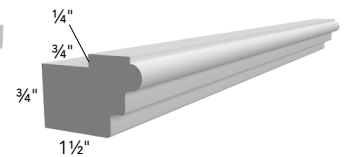
**NEXUS**



**LUNA/GALAXY/ONYX**

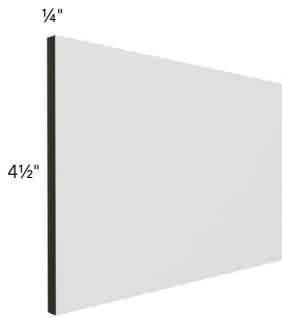


**FUSION**



**IMPERIO**

## Moldings (8')

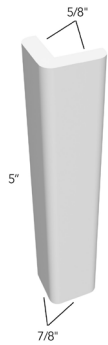


### TOE KICK

ITEM
------

TK8

- Exterior finish matches that of door style ordered
- Moisture Resistant MDF will have visible green core



Toe Kick Cap Installed on Base Cabinet

### TOE KICK CAP

ITEM
------

TKC

- Solid Wood Toe Kick Cap
- Exterior finish matches that of door style ordered
- Cut on site during installation
- Toe Kick Cap used to finish exposed toekick ends and match finished side panels.



### BASE BOARD

ITEM
------

BBM



**FUSION  
PROFILE**



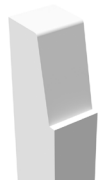
**LUNA & GALAXY  
PROFILE**



**IMPERIO  
PROFILE**

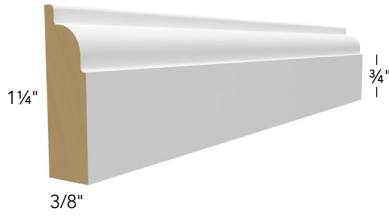


**NEXUS  
PROFILE**



**ONYX  
PROFILE**

## Moldings (8')



### DECORATIVE SCRIBE

ITEM
SM8-D



### SIMPLE SCRIBE

ITEM
SM8-S



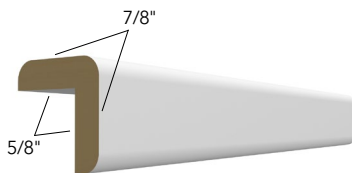
### BATTEN

ITEM
BM3/4
BM1 1/4



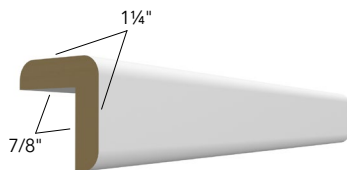
### QUARTER ROUND

ITEM
QRM



### OUTSIDE CORNER

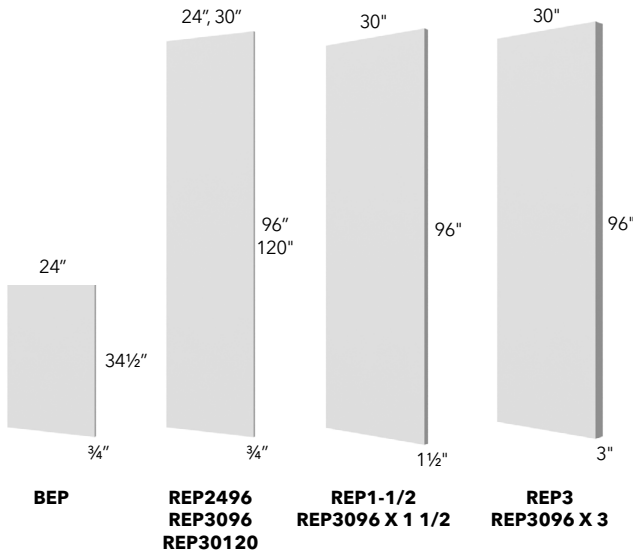
ITEM
OCM8
OCM8-1 1/4"



### INSIDE CORNER

ITEM
ICM8

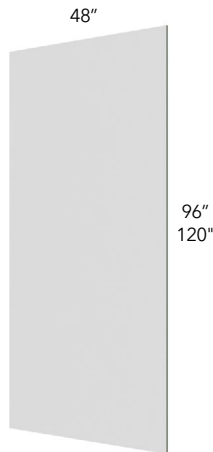
Panels



**REFRIGERATOR END PANEL**

ITEM
BEP
** REP1-1/2
REP30120 x 1-1/2
* REP2496
** REP3
REP30120 x 3
* REP3096
REP30120
** REP3096 x 1 1/2
** REP3096 x 3

- \* Both long edges (34-1/2" for BEP, 96" for REP) are edge-banded
- \*\* Sides are flush finished, (no 1/4" reveal)
- 120" height available for 30" depth ONLY

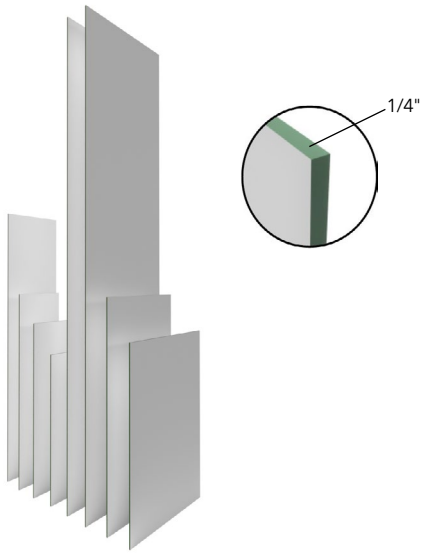


**PANEL/LOOSE PLYWOOD**

ITEM
* PAN-1/4
** PLY-1/2
** PLY-3/4
** PLY-1/2 48X120
PLY-3/4 48X120

- \* Finished on 1 side only; Moisture Resistant MDF will have visible green core
- \*\* Finished on 2 sides only

Panels

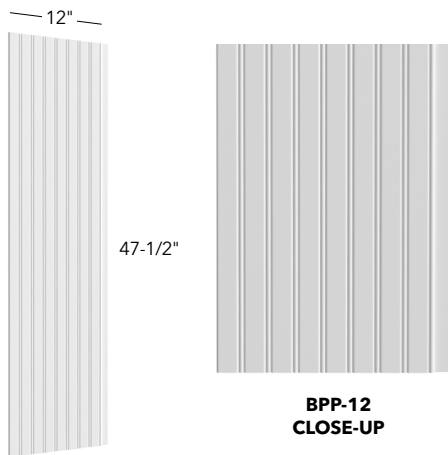


**FINISHED END SKINS**

ITEM
SK BASE
SK MC
SK TALL
SK T12D
SK W30
SK W36
SK W42
SK WD

\*Moisture Resistant MDF will have visible green core

- Skin Dimensions:
  - » SK BASE: 23-1/4" x 30-1/8"
  - » SK MC: 20-1/4" x 42-1/8"
  - » SK TALL: 23-1/4" x 96-1/8"
  - » SK T12D: 11-1/4" x 96-1/8"
  - » SK W30: 11-1/4" x 30-1/8"
  - » SK W36: 11-1/4" x 36-1/8"
  - » SK W42: 11-1/4" x 42-1/8"
  - » SK WD: 14-1/4" x 60-1/8"

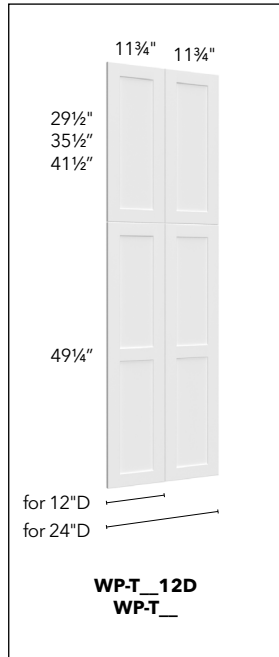
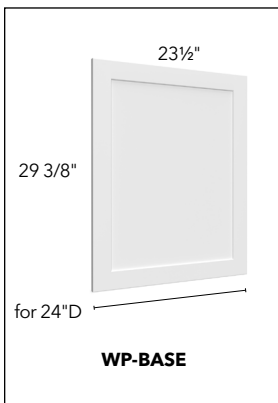
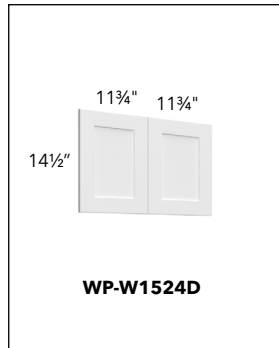
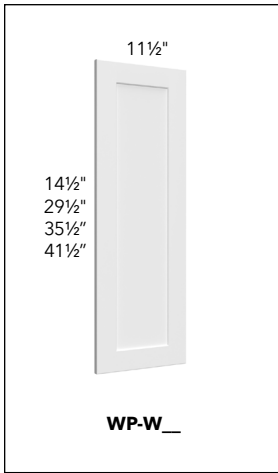


**BEADED PANEL PLANK**

ITEM
BPP-12

- Replaces BP4x8
- 3/8" thick x 12 7/8"W x 47 1/2"H interlocking panel.
- Beads are 1 1/2" center-to-center.
- Visible finished portion of the panel is 12"W so when assembled together with additional planks they install in 12" increments.
- Trim panel to fit on site.

# Panels



## WAINSCOT PANEL

ITEM
WP-BASE
WP-T84
WP-T90
WP-T96
WP-T8412D
WP-T9012D
WP-T9612D
WP-W15
WP-W30
WP-W36
WP-W42
WP-W1524D

- Same profile as cabinet door (3/4" thick)
- Base: 23 1/2"W x 29 3/8"H
- Wall: 11 1/2"W x 14 1/2" / 29 1/2" / 35 1/2" / 41 1/2"
- Wall 24"D: 11 3/4"W x 14 1/2"H (includes 2 doors)
- Tall: 11 3/4"W each door. Height matches that of pantry configuration. Tall bottom door is 49-1/4"H.
  - 24" D Pantries: includes a set of 4 doors
  - 12" D Pantries: includes a set of 2 doors

**NOTE:** Wainscot Panels may come with hinge holes pre-drilled on the back of the door



## Panels



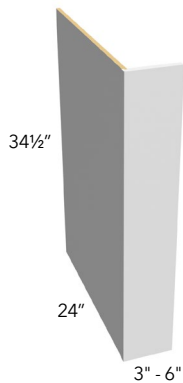
### DECO DOOR

ITEM
* DD B06FD
DD W0930 DOOR
DD W1230 DOOR
DD W1530 DOOR
DD W1830 DOOR
DD W2130 DOOR

- Size of door reflects same size as standard cabinet doors
- Comes pre-drilled for hinges

\* DD B06FD: Has reduced-width left & right stiles. Designed to be combined with a 6" wide filler for installation on a 6" Spice Pull-Out Accessory. Hinge drilling not available. Deco profile matches that of Door Style ordered.

**NOTE:** Deco Doors may have an extended ETA. DD B06FD is made to order and carries a longer lead time of 30 business days.



### DISHWASHER RETURN END PANEL

ITEM
DWR1-1/2
DWR3
DWR6

- Sides are flush finished, (no 1/4" reveal)



### COLUMNS

ITEM
<b>NEW!</b> CLM-3012
<b>NEW!</b> CLM-3612
<b>NEW!</b> CLM-4212
CLM-96
CLM-BASE

- Base: 24" deep
- Tall: 27" deep
- Wall: 12" deep
- To cut column see modifications available on pg. 56
- Any size custom column can be created for additional charge
- Sides are flush finished (no 1/4" reveal)
- Back is unfinished

**NOTE:** 15"D Wall Columns have been discontinued. Limited quantities of CLM-30, CLM-36, and CLM-42 available while supplies last.

## Paint & Touch Up Kits



### PAINT

#### ITEM

PAINT

- Available for all stock Signature and Designer Collection Painted Finishes.
- May be ordered by the Pint or Quart. Quart sizes will be shipped out in the equivalent amount of 1-Pint size cans to fulfill the order.
- Not intended to be used to refinish a cabinet or item such as a decorative door.

**DISCLAIMER:** Fabuwood takes no responsibility for improper application and/or imperfections caused by using this item. Touch-ups & Finishing applications are recommended to be completed by a qualified cabinet installer.

**NOTE:** Paint is not Pre-Catalyzed. Comes with a bottle of Catalyzer & includes mixing instructions.



### PAINT SPRAY CAN

#### ITEM

PSC

- Available for all stock Signature and Designer Collection Color finishes.
- Paint Spray Can may be used for general touch-ups. Suggested Uses: Spraying the edges of molding before installation, cosmetic touch-up after installation, spraying the edges of TK8 or loose PAN-1/4 finished end skins.
- Note: Not intended to be used to refinish a cabinet or accessory such as trim moldings.
- Due to the complexity of Fabuwood finishes, Paint Spray Cans are not available for stained finishes.

**DISCLAIMER:** Fabuwood takes no responsibility for improper application and/or imperfections caused by use of Paint Spray Can. Touch-ups are recommended to be completed by a qualified cabinet installer.



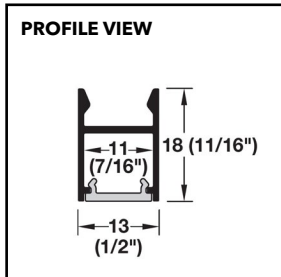
### TOUCH UP KIT

#### ITEM

TOUCH UP KIT

- Includes stick, marker, & scraper
- Available in our stock Signature and Designer Collection Color finishes

## Under-Cabinet Lighting



### UNDER CABINET LED

ITEM
LED W09
LED W12
LED W15
LED W18
LED W21
LED W24
LED W27
LED W30
LED W33
LED W36
LED W39

- Dimmable. Settings allow for adjustment between Warm White to Cool White lighting
- Light temperature range of 2700-5000K
- LED Lighting bars are designed to be surface-mounted underneath a wall cabinet
- Consists of an aluminum channel housing with diffuser cover
- Requires Power Supply Starter Kit, or Power Supply & Recommended Light Switch (purchased separately).

*Note: Installation by a qualified cabinetry installer or electrician is recommended.*



PUCK LIGHT

COVER CAP

LEAD

### PUCK LIGHT SET

ITEM
LED 2-1/4" PUCK

- Designed to recess into the bottom of a cabinet or soffit box.
- Includes puck light, silver cover cap, and lead
- Light temperature range of 2700-5000K
- Requires Power Supply Starter Kit, or Power Supply & Recommended Light Switch (purchased separately).

*Note: Installation by a qualified cabinetry installer or electrician is recommended.*

## Under-Cabinet Lighting



**LED FLS30 WALNUT SHOWN**

### FLOATING SHELF WITH LED

ITEM
LED FLS24
LED FLS30
LED FLS36
LED FLS42
LED FLS48
LED FLS54
LED FLS24 WALNUT
LED FLS30 WALNUT
LED FLS36 WALNUT
LED FLS42 WALNUT
LED FLS48 WALNUT
LED FLS54 WALNUT

- Dimmable. Settings allow for adjustment between Warm White to Cool White lighting
- Light temperature range of 2700-5000K
- Floating shelves include a Light Bar with 6.5ft Lead and a 6.5ft Extension Lead
- LED Light Bar for Floating Shelves ship loose and are to be installed in the field
- Channel is pre-routed to accommodate LED light bar installation
- Floating Shelves with LED are available in Stock Paint and Stain Finishes, Walnut and are to be specified at time of order. For Finishing to a custom color, must be ordered as Dove or Frost.
- Requires Power Supply Starter Kit, or Power Supply & Recommended Light Switch (purchased separately).

**Note:** Installation by a qualified cabinetry installer or electrician is recommended.

### LED INTERIOR CABINET LIGHTING

ITEM
LED CAB INT 48" STRIP

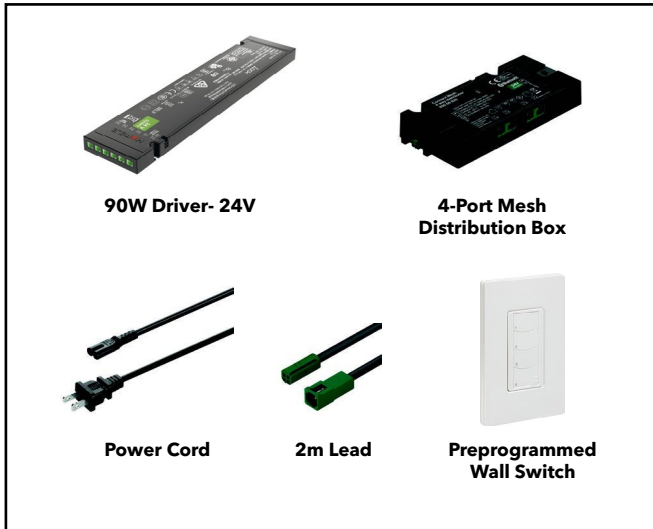
**NEW!**



- Flexible LED Lighting Strip designed for interior cabinet lighting.
- Strip can be trimmed in 2" intervals to fit as needed
- Medium Intensity lighting
- Requires Power Supply Starter Kit, or Power Supply & Recommended Light Switch (purchased separately).

**Note:** Installation by a qualified cabinetry installer or electrician is recommended.

## Under-Cabinet Lighting



### POWER SUPPLY STARTER SET

ITEM
LED SKIT WLS 1Z
LED SKIT WLS 2Z
LED SKIT WLS 3Z
LED SKIT WLS 4Z

- Power Supply Starter sets with Zone Controls come with the following components:
  - 90w Driver, 24V with power cord
  - 2m (6.5ft) Extension Lead to Connect First Light
  - 4-Port Mesh Distribution Box (Bluetooth-enabled, pairs with Wall Switch)
  - One (1) Preprogrammed Wall Switch with Dimmer Function
- Starter Sets should be ordered based on the number of Lighting Zones needed. Starter Kit components quantities are based on zone quantity.
- Each Power Supply Driver requires a 110V standard power outlet
- If more than (4) zones are needed: purchase additional Power Supply Starter Sets depending on additional quantity of zones needed. Additional Wall Switch LED WLS SWITCH is available for purchase.
- Consult the following page or the Ordering Guide for instructions on determining zones and for layout examples.

**NOTE:** Maximum amount of 10ft per zone is advised. Cabinetry runs greater than 10ft are considered 2 zones (or more).

*Installation by a qualified cabinetry installer or electrician is recommended*

Zone Control Kit Contents & Qty per number of Zones	1 Zone	2 Zones	3 Zones	4 Zones
90w Driver (24V) with power cord	1	2	3	4
2m (6.5ft) Extension Lead to Connect to First Light	1	2	3	4
4-Port Mesh Distribution Box, Bluetooth Enabled	1	2	3	4
Preprogrammed Wall Switch (Bluetooth Enabled, Leviton Decora)	1	1	1	1



### ADDITIONAL WIRELESS WALL LIGHT SWITCH

ITEM
LED WLS SWITCH

- Leviton Decora-style Wall Switch with Dimmer Function

**Note:** Installation by a qualified cabinetry installer or electrician is recommended.

## Under-Cabinet Lighting

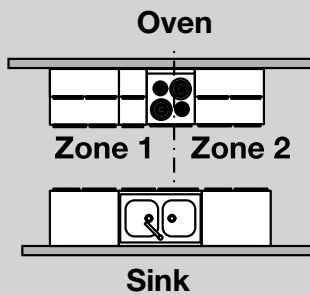
### ORDERING GUIDE

Ordering Loox Kitchen Lighting can be completed within a few steps. We will outline those steps below so that you can specify the products that work best for your kitchen.

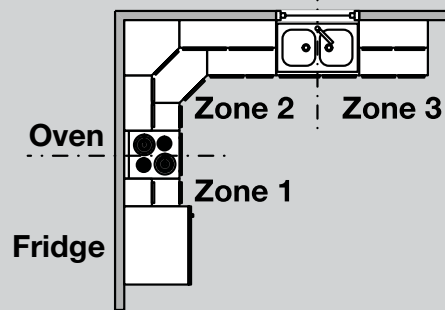
### DETERMINE ZONES

Determine how many total light zones are in the kitchen; a zone is determined by a continuous run of cabinets. Any separation in the wall cabinets including windows, range hoods, doors, etc. creates a break and may create another zone. If a zone is greater than 10' consider it 2 zones. Make sure there is a 110 V power outlet for each zone either in the cabinet or immediately above the cabinet. See examples of zone illustrations below:

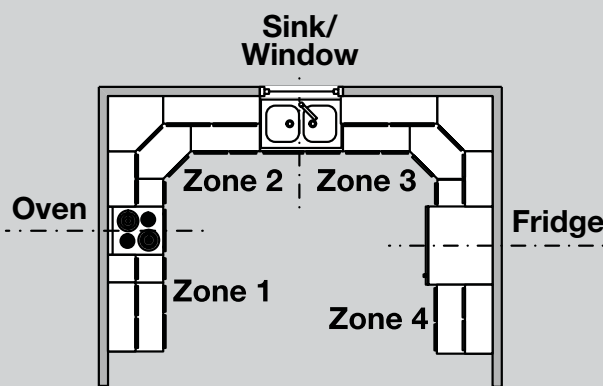
### Layout Examples



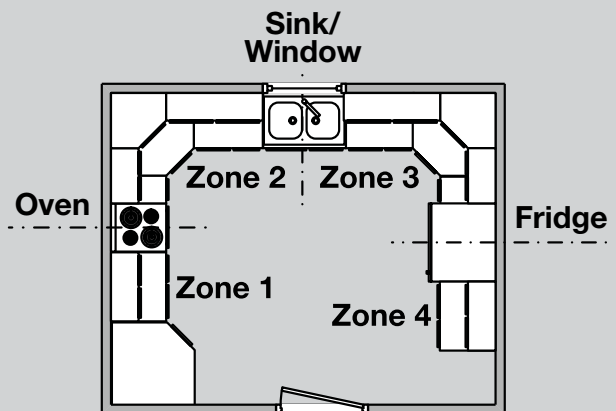
**GALLEY**



**L-SHAPE**



**U-SHAPE**



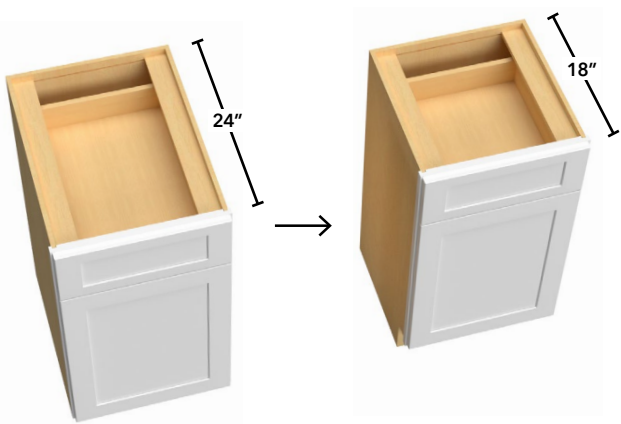
**G-SHAPE**

# **Modifications**

## Cut Modifications

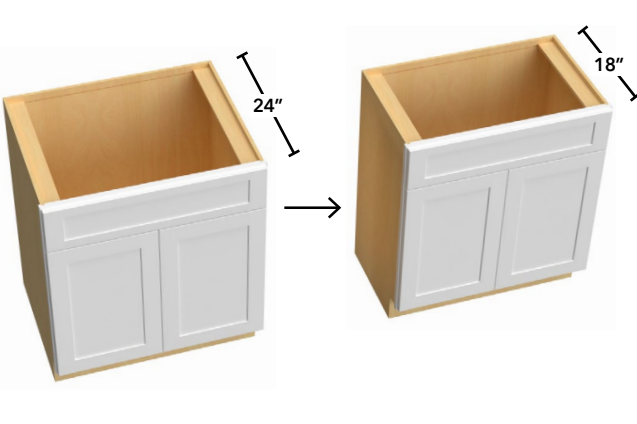
**ITEM**  
CUT-BASE

- Reduce depth of base cabinet (min. depth 12")



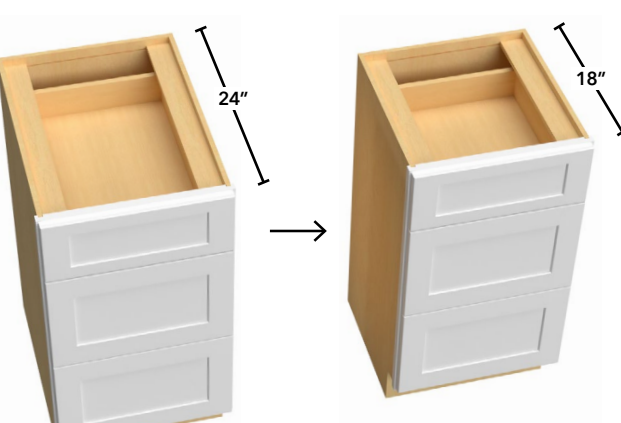
**ITEM**  
CUT-SBASE

- Reduce depth of sink base cabinet (4" min.)



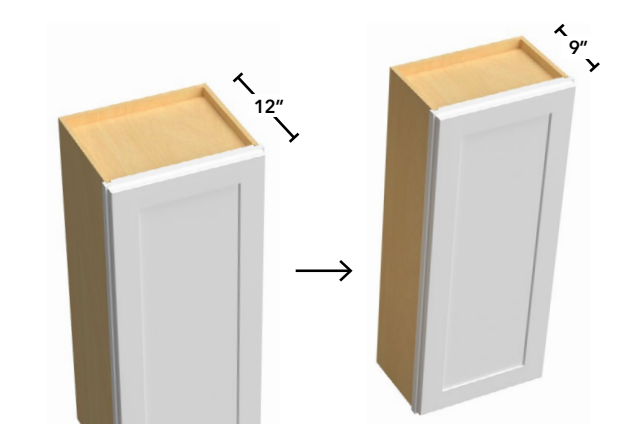
**ITEM**  
CUT-DBASE

- Reduce depth of drawer base cabinet (min. depth 12")



**ITEM**  
CUT-WALL

- Reduce depth of wall cabinet (4" min.)

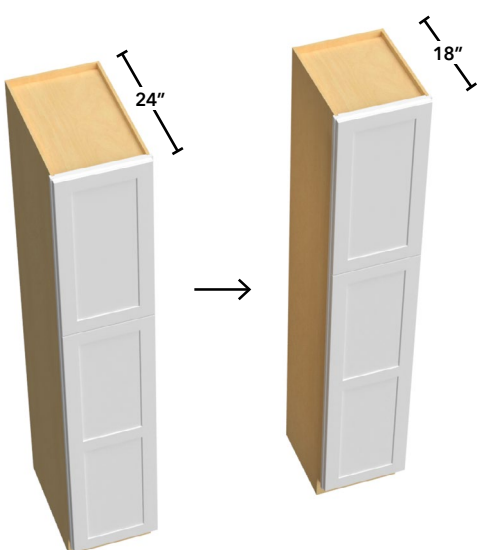




## Cut Modifications

**ITEM**  
CUT-TALL

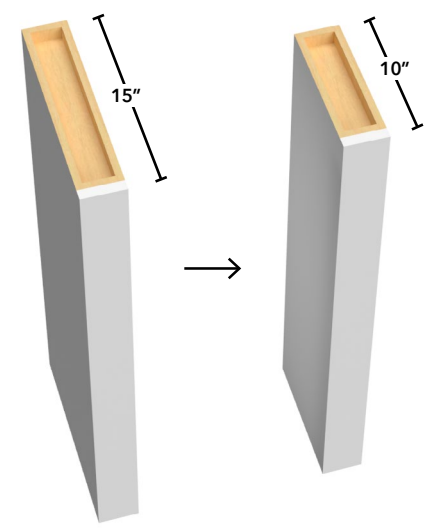
- Reduce depth of tall cabinet (4" min.)



The diagram illustrates a tall cabinet with a depth of 24 inches on the left. An arrow points to the same cabinet on the right, which has been cut to a depth of 18 inches.

**ITEM**  
CUT-COLUMN

- Reduce depth of column (specify depth)

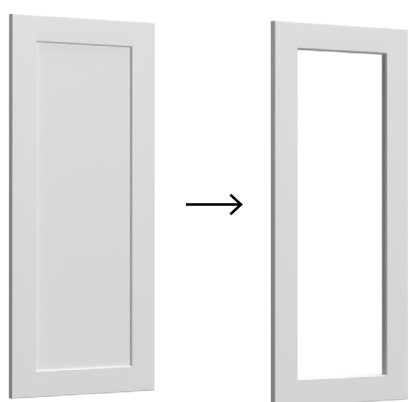


The diagram shows a cabinet column with a depth of 15 inches on the left. An arrow points to the column on the right, which has been cut to a depth of 10 inches.

**ITEM**  
CUT-DOOR\*

- Cut out center panel of door for glass insert (per door, glass not included)
- MATCH-INTERIOR must be added separately
- Not available for Luna

**Note:** For Luna door style, enter as a Custom Door and select 'Prepped for Glass' as the Center-Panel option.

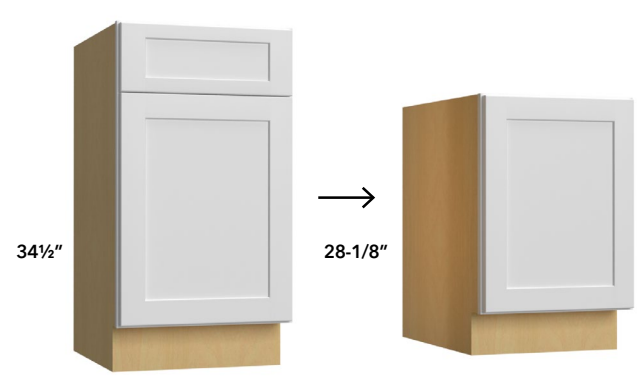


The diagram shows a cabinet door on the left. An arrow points to the door on the right, where the center panel has been removed, leaving a rectangular opening for a glass insert.

**ITEM**  
CUT-BASE HEIGHT

- Reduce height of base cabinet by cutting off top drawer (total base height: 28-1/8")
- Designed to create a base cabinet that can be used with a Range Top appliance

**NOTE:** Modification is only available for Base cabinets with a standard top drawer. Not available for 2-Drawer Base, Farm Sink, or File Drawer.




The diagram shows a base cabinet with a total height of 34 1/2 inches on the left. An arrow points to the cabinet on the right, where the top drawer has been removed, resulting in a total height of 28 1/8 inches.

## Cut Modifications

**ITEM**  
CUT-TK

- Reduce toe kick height
- Specify total cabinet height when selecting modification.
- Will ship Toe Kick loose if full height of toe kick is removed.



The diagram shows a side view of a cabinet. On the left, the cabinet has a toe kick labeled "4 1/2\"". An arrow points to the right, where the same cabinet is shown with a shorter toe kick labeled "2\"".

**ITEM**  
CUT-ROD

- Reduce depth of rollout drawer (specify depth of cabinet)
- CUT-ROD modification will be automatically added when CUT-depth reduction has been applied to a cabinet with a ROD accessory selected.
- Roll Out Drawer is trimmed from the back to new depth. Back panel will no longer be dovetailed.

*Note: to add CUT-ROD on ROD Roll Out Drawers being ordered loose, please contact your Customer Service Teams for assistance.*

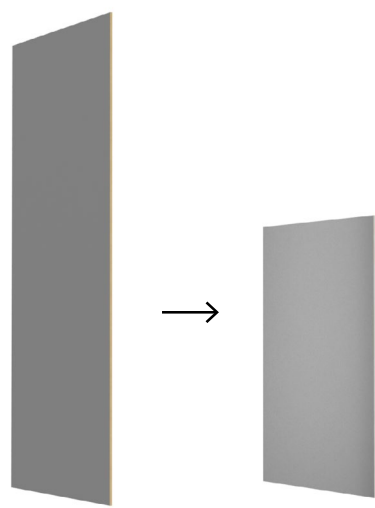


The diagram shows a wooden rollout drawer. An arrow points to the right, where the same drawer is shown with a shallower depth.

**ITEM**  
CUT-PANEL

- Cut down a panel to any size

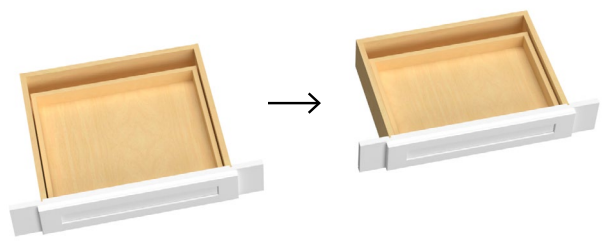
*Note: cut sides do not include edge-banding.  
Contact Customer Service to request application via Custom Shop, or add EDGE-BANDING (QTY per L.F.) as a loose accessory item for field application.*



The diagram shows a tall, narrow cabinet panel. An arrow points to the right, where the same panel is shown cut down to a shorter height.

**ITEM**  
CUT-KD30

- Reduce depth of knee drawer cabinet (specify depth of cabinet)

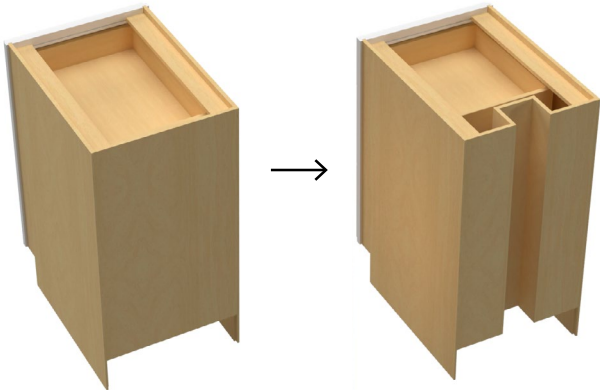


The diagram shows a knee drawer cabinet. An arrow points to the right, where the same cabinet is shown with a shallower depth.

# Pipe Chase

**ITEM**  
CHASE-BASE

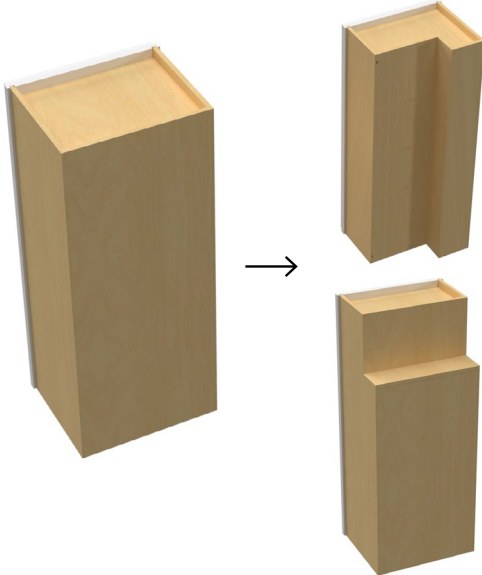
- *Make chase in base cabinet*
- **Must supply a drawing for all chase modifications.**



The diagram shows a 3D perspective of a light-colored wooden base cabinet. On the left, the cabinet is shown in its original state. An arrow points to the right, where the same cabinet is shown with a rectangular chase cutout on the right-hand side panel, allowing for a pipe to pass through.

**ITEM**  
CHASE-WALL

- *Make chase in wall cabinet*
- **Must supply a drawing for all chase modifications.**



The diagram shows a 3D perspective of a light-colored wooden wall cabinet. On the left, the cabinet is shown in its original state. An arrow points to the right, where the cabinet is shown with a rectangular chase cutout on the right-hand side panel, allowing for a pipe to pass through.

**ITEM**  
CHASE-DBASE

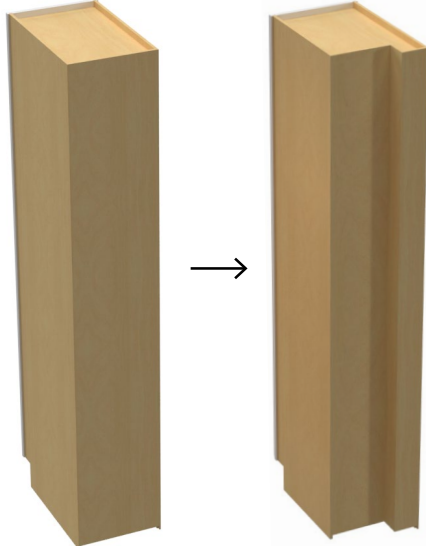
- *Make chase in drawer base cabinet*
- **Must supply a drawing for all chase modifications.**



The diagram shows a 3D perspective of a light-colored wooden drawer base cabinet. On the left, the cabinet is shown in its original state. An arrow points to the right, where the cabinet is shown with a rectangular chase cutout on the right-hand side panel, allowing for a pipe to pass through.

**ITEM**  
CHASE-TALL

- *Make chase in tall cabinet*
- **Must supply a drawing for all chase modifications.**



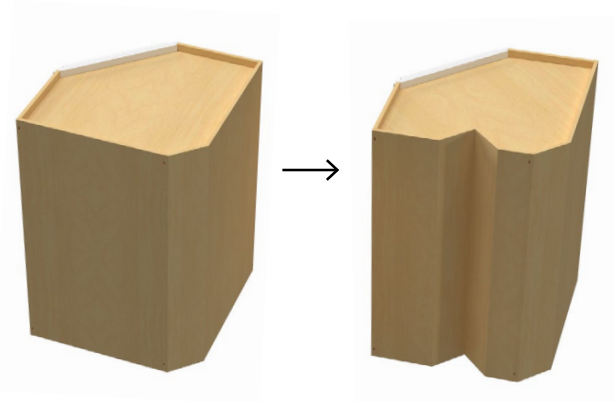
The diagram shows a 3D perspective of a light-colored wooden tall cabinet. On the left, the cabinet is shown in its original state. An arrow points to the right, where the cabinet is shown with a rectangular chase cutout on the right-hand side panel, allowing for a pipe to pass through.

## Pipe Chase

ITEM

CHASE-CORNER

- *Make chase in corner cabinet (WDC, WPC & ERB only)*
- **Must supply a drawing for all chase modifications.**



## Create Columns & Returns

ITEM

CREATE-RETURN WALL\*

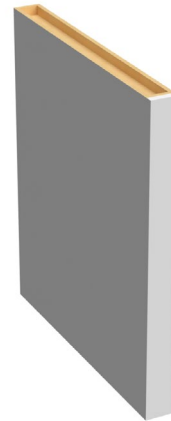
- Create a return wall filler up to 6"W x 15"D x 42"H (materials incl.)
- Email [customquotes@fabuwood.com](mailto:customquotes@fabuwood.com) for quote



ITEM

CREATE-COLUMN BASE\*

- Create a 3" column up to 30"D by 34½"H
- Email [customquotes@fabuwood.com](mailto:customquotes@fabuwood.com) for quote



ITEM

CREATE-RETURN TALL\*

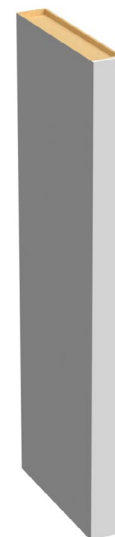
- Create a return tall filler up to 6"W x 30"D x 96"H (materials incl.)
- Email [customquotes@fabuwood.com](mailto:customquotes@fabuwood.com) for quote



ITEM

CREATE-COLUMN TALL\*

- Create an oversized column up to 120" high
- Email [customquotes@fabuwood.com](mailto:customquotes@fabuwood.com) for quote



## Create Columns & Returns

ITEM

CREATE-COLUMN WALL\*

- Create a 3" column up to 15"D x 42"H
- Email [customquotes@fabuwood.com](mailto:customquotes@fabuwood.com) for quote



## Custom Doors

**ITEM**

CUSTOM DOOR\*\*

CUSTOM DRAWER FRONT

CUSTOM DECO PANEL

Custom Doors, Drawer Fronts & Deco Panels available to order on EZ-Pricing Online.

- Available in 1/16" increments.
- Sizing and availability subject to restrictions & door style selected.

**NOTE: Oversize items will receive a Warranty Disclaimer and will not be covered under Fabuwood's Warranty.**

**Lead Time:**

All custom order doors, fronts & deco panels receive extended lead times. Lead times to be advised at time of order placement & may be subject to change.

\* CUSTOM DOOR offers the following configuration options:

1. Center Panel:

- Standard Center-Panel
- Prepped for Glass

2. Hinging:

- With hinge holes
- With hinge holes on top as Lift-up
- With no hinge holes

**Additional custom options available:**

For custom panel configurations, modified stile & rail widths, Wine Cooler Door Overlays or other non-standard requests please email [customquotes@fabuwood.com](mailto:customquotes@fabuwood.com) for pricing.

Refer to Selling Sheet for more information.

## Customizations

**ITEM**

**HAMPER**

- Install door mounted pull out wood hamper in cabinet (cabinet not incl.)
- 18"high Hamper is constructed of natural 1/2" plywood
- Installed with Ball-Bearing slides
- Custom height at 21" can be requested through Custom Quotes



**ITEM**

**REMOVE DRAWER**

- Remove cabinet drawer to create false drawer front



**ITEM**

**INSTALL-ACCES**

- Accessories not included
- Email [customquotes@fabuwood.com](mailto:customquotes@fabuwood.com) for quote
- Specify any Third Party accessory for Fabuwood to order & install in a cabinet. Dealer to provide Manufacturer & Model Number.
- Accessory pricing and installation cost vary by item.
- Accessory lead times & availability may vary & are subject to change depending on item(s) selected.

**ITEM**

**CLOSE-BLIND**

- Close open section of a blind wall or base cabinet



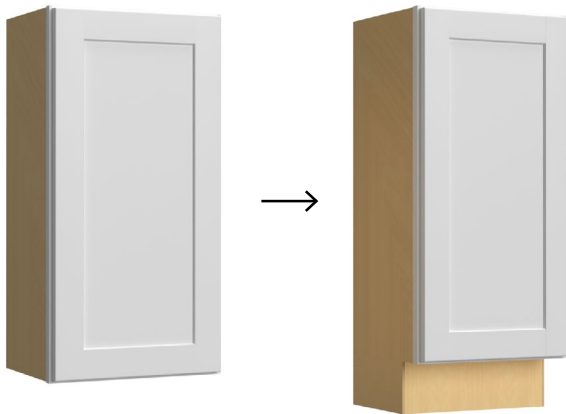


## Customizations

**ITEM**

**ATTACH-TK**

- *Attach toe kick on wall cabinet*
- *Choose from the following options: FLUSH TK, Recess Right, Recess Left (or a combination or all three options)*



## Customizations

**ITEM**

**RECESS-TK**

- Recess toe kick of base cabinet (must supply a drawing)
- Choose from the following options: Left, Right, Back or a combination of all three.



**ITEM**

**PEN-CABINET**

- Create a peninsula cabinet from 2 cabinets
- Peninsula side will include standard Recessed Toe Kick



**ITEM**

**INCREASE-WALL**

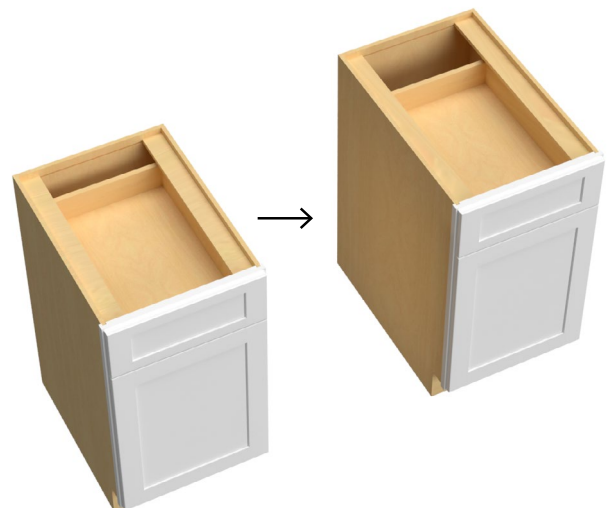
- Increase depth on wall cabinet
- Increased depth of Rollout drawers are by custom request only and is not included in modification. Custom quote required.



**ITEM**

**INCREASE-BASE**

- Increase depth on base cabinet
- Increased depth of Rollout drawers are by custom request only and is not included in modification. Custom quote required.




## Customizations

**ITEM**

**CHOOSE-INTERIOR**

- Finish full interior of cabinet to selected finish color or stain
- Finished ends must still be specified
- Not available for NDW, WOS, WR/WC/WO cabinets, Vanities, and TP's.



The diagram shows a side view of a cabinet with its doors open. On the left, the interior shelves are a light wood color. An arrow points to the right, where the same cabinet is shown with a dark grey interior, demonstrating the 'CHOOSE-INTERIOR' customization.

**ITEM**

**MATCH-INTERIOR**

- Finish full interior of cabinet to match exterior
- Finished ends must still be specified

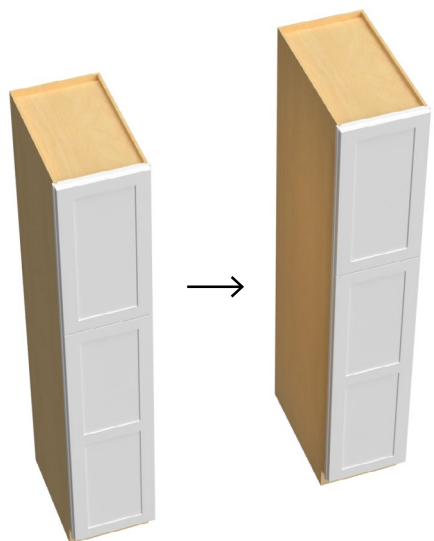


The diagram shows a side view of a cabinet with its doors open. On the left, the interior shelves are a light wood color. An arrow points to the right, where the same cabinet is shown with a white interior, demonstrating the 'MATCH-INTERIOR' customization.

**ITEM**

**INCREASE-TALL**

- Increase depth on tall cabinet
- Increased depth of Rollout drawers are by custom request only and is not included in modification. Custom quote required.

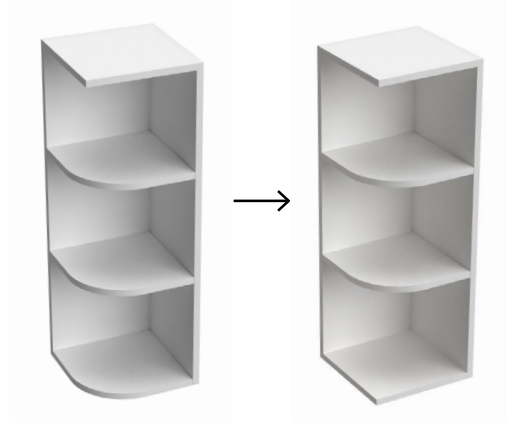


The diagram shows a side view of a tall cabinet. On the left, it has a standard depth. An arrow points to the right, where the cabinet is shown with a significantly increased depth, demonstrating the 'INCREASE-TALL' customization.

**ITEM**

**CREATE- SQ BOTTOM**

- Create square bottom shelf for open end cabinet to allow the use of light rail molding



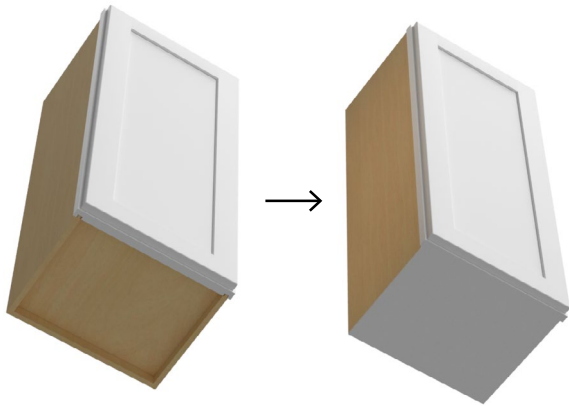
The diagram shows a side view of a cabinet with its doors open. On the left, the bottom shelf is curved. An arrow points to the right, where the same cabinet is shown with a square bottom shelf, demonstrating the 'CREATE- SQ BOTTOM' customization.

## Customizations

**ITEM**

**FLUSH-WALL BOTTOM**

- Flush the bottom of a wall cabinet
- Bottom will be finished to match exterior finish



**ITEM**

**FULL-DOORS**

- Create a Full-Height Door Base Cabinet on an existing Base Cabinet using Face Frame & Door Set from a 30" high Wall Cabinet.



**ITEM**

**FLUSH-TOE KICK**

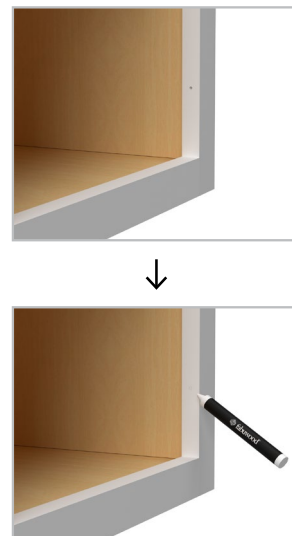
- Flush toe kick of base cabinet to face frame (sides not finished)



**ITEM**

**FILL HINGE-SEAM**

- Fills hinge holes with touch-up, seam will still be visible\*
- Hinges are removed; doors will still be included and are packaged inside the cabinet



## Customizations

**ITEM**

**CLOSE FRONT-OC**

- *Fabuwood can close the open panel of a base microwave, base oven, tall oven, or wall microwave cabinet by adding 3/4" plywood to the inside of the frame.*



**BMC30 SHOWN**

**ITEM**

**CREATE-BOC**

- *Modified base cabinet with drawer and doors removed and replaced with full panel in the front. Panel to be cut on job site to fit oven dimensions.*



**ITEM**

**CREATE-BMC**

- *Modified drawer base with top two drawers removed and support shelf installed above the bottom drawer. Full panel placed in the front to be cut on job site to fit oven cabinet dimensions. .*



**ITEM**

**INSERT BROOM DIVIDER**

- *Divide the bottom section of a pantry to use for a broom closet. A cutout will be made in the center fixed shelf to allow space for the broomstick.*
- *Broom section is 6" wide.*

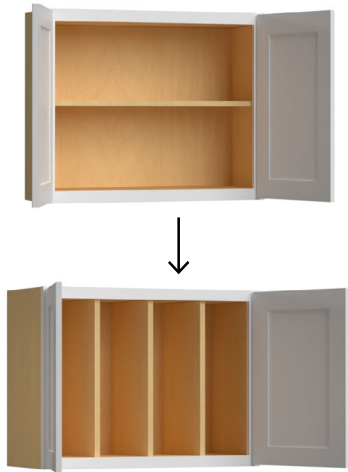


## Customizations

**ITEM**

**INSERT DIVIDER**

- Inserts 1/2" vertical trays into standard wall or base cabinet from 9"W - 36"W
- Widths 9" - 18": QTY 1 only
- Widths 21" - 24": QTY 1, 2
- Widths 27" - 30": QTY 1, 2, 3
- Widths 33" - 36": QTY 1, 2, 3, 4



**ITEM**

**INVERT FRAME-TALL**

- Modifying standard tall pantry, the frame and doors are inverted to have the tall door on the top and short door on the bottom.
- A groove is added to adjust the fixed shelf height



**ITEM**

**INVERT FRAME-BASE**

- Modifying standard base cabinet, the drawer and drawer are inverted with door at the top and drawer on the bottom.
- Fixed shelf with front rail is inverted above the drawer
- When selected vanity depth is not available, an additional cut-base charge will apply.



**ITEM**

**REMOVE FLOOR**

- Bottom panel, bottom rail, and toe kick (if applicable) are removed from frame.
  - Bottom panel grooves are filled in and support is added for shipping.
- Note: Cabinets with full center stile are not eligible for this modification



## Customizations

ITEM

TK DRAWER

- *Installs drawer into the toekick of a base cabinet.*



ITEM

EDGE-BAND

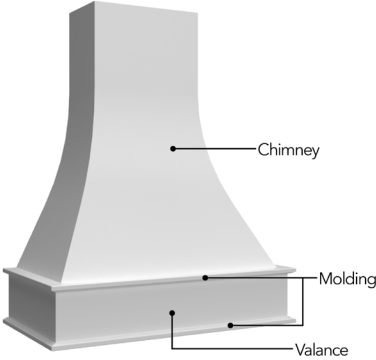
- *Additional edge banding (price per linear foot)*

## Two Tone Hood Modification

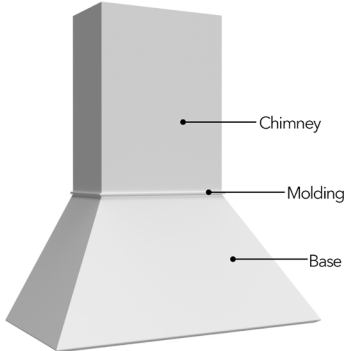
ITEM
<b>NEW!</b> 2-TONE FINISH
<ul style="list-style-type: none"> <li>• Add an accent finish to a hood's base, chimney, moldings, or valance</li> <li>• Available for Allure's chimney-style hoods: Euro, Farmhouse, Signature, and Curved Artisan                         <ul style="list-style-type: none"> <li>» Not available for Arched hood (RHA)</li> </ul> </li> <li>• Available for Signature/Designer Collection Color finishes and Stained Hoods, including TIMBER specific SKUs                         <ul style="list-style-type: none"> <li>» Not available for Pure Custom Colors or WALNUT finish</li> </ul> </li> </ul>

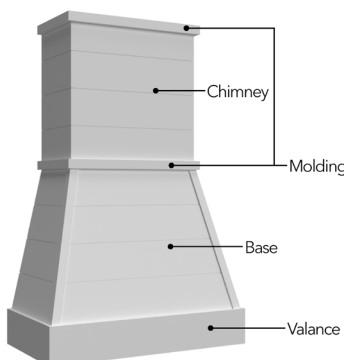
**RHCA**



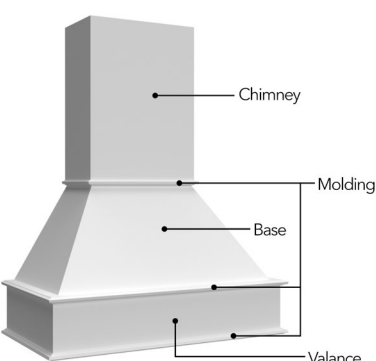
**RHE**



**RHF**



**RHS**





## Upgrades

ITEM	DESCRIPTION
GLAZE	Custom glazes available for a charge
FINISHING	Refinish from Signature Paint Color to a Signature, Designer Collection, or Pure Custom paint color.*
FINISHING SURCHARGE	Custom Color Set-Up Fee**
FINISHING - RFD	Refinish third party accessory to a stock or custom color paint***

\* Refer to Dealer Policies & Procedures for full details. Sample Door recommended. Sample Doors & Custom Set-Up Fee are required for Pure Custom Colors.

\*\* Set-Up Fee is waived for Signature & Designer Collection Colors.

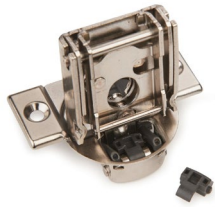
\*\*\* Available for painted finishes only. Restrictions may apply. Dealer may request to have a 3rd Party Item refinished.

◊ Email [customquotes@fabuwood.com](mailto:customquotes@fabuwood.com) for quote

Many more modifications available- please contact your customer service rep.

## Loose Parts

### LOOSE PARTS



BLUM-COMPACT RES CLIP



BLUM-LBS RES CLIP



STEM BUMPER



SHELF CLIP

ITEM	DESCRIPTION
SK BASE	Skin for base cabinet with adhesion
SK MC	Skin for microwave wall cabinet with adhesion
SK TALL	Skin for tall cabinet with adhesion
SK T12D	Skin for 12" deep tall cabinet with adhesion
SK W30	Skin for 30" high wall cabinet with adhesion
SK W36	Skin for 36" high wall cabinet with adhesion
SK W42	Skin for 42" high wall cabinet with adhesion
SK WD	Skin for wall with drawer cabinet with adhesion
BLUM-COMPACT RES CLIP 10PK	PACK OF 10 BLUM-COMPACT ANGLE RESTRICTION CLIP
BLUM-LBS RES CLIP 2PK	PACK OF 2 BLUM LSB ANGLE RESTRICTION CLIP
STEM BUMPER	Individual Stem Bumper
AS-CLIP-1	Allure Shelf Clips - Set for 1 Shelf (Qty 4)
AS-CLIP-2	Allure Shelf Clips - Set for 2 Shelves (Qty 8)
AS-CLIP-3	Allure Shelf Clips - Set for 3 Shelves (Qty 12)
AS-CLIP-4	Allure Shelf Clips - Set for 4 Shelves (Qty 16)
AS-CLIP-5	Allure Shelf Clips - Set for 5 Shelves (Qty 20)
AS-CLIP-6	Allure Shelf Clips - Set for 6 Shelves (Qty 24)

- **Compact Angle Restrictor Clip:**
  - BLUM Angle Restriction Clip for COMPACT BLUMOTION and COMPACT CLIP hinges.
  - Reduces swing from 110-deg to 86-deg
  - One clip required per every two hinges. For a 30" high door, use 1 clip. For 36" to 42" high Door, use 2 clips.
  - Installation Tip: Remove the door from the cabinet prior to installing the angle restriction clip. Insert the clip into the back of the cup hinge arm while it is in a 'closed' position.
- **LSB Angle Restrictor Clip:**
  - BLUM Angle Restriction Clip for Lazy Susan 170-deg CLIP-ON Hinges
  - Reduces door LSB swing from 170-deg to 130-deg .
  - Easy to install, the LSB 170-deg angle restrictor clip snaps on to the projection point of the hinge.

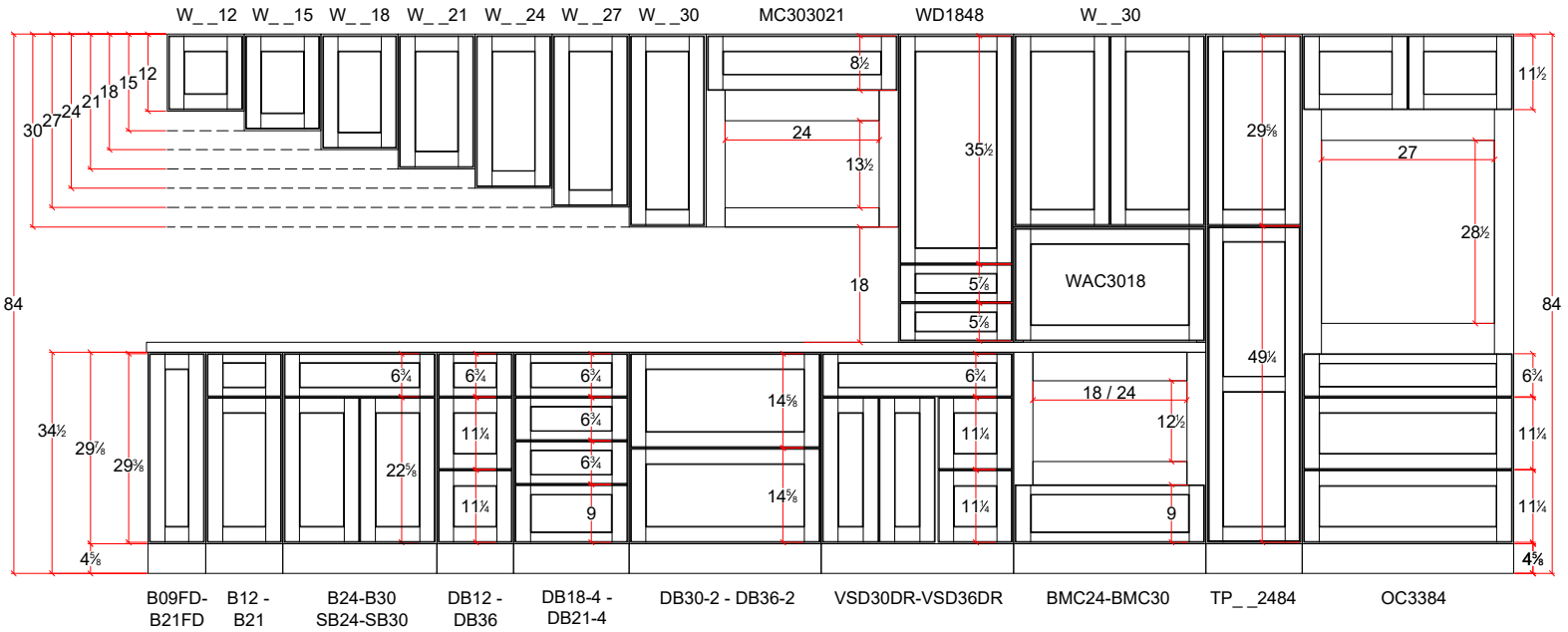
## Loose Parts

### LOOSE SHELVES

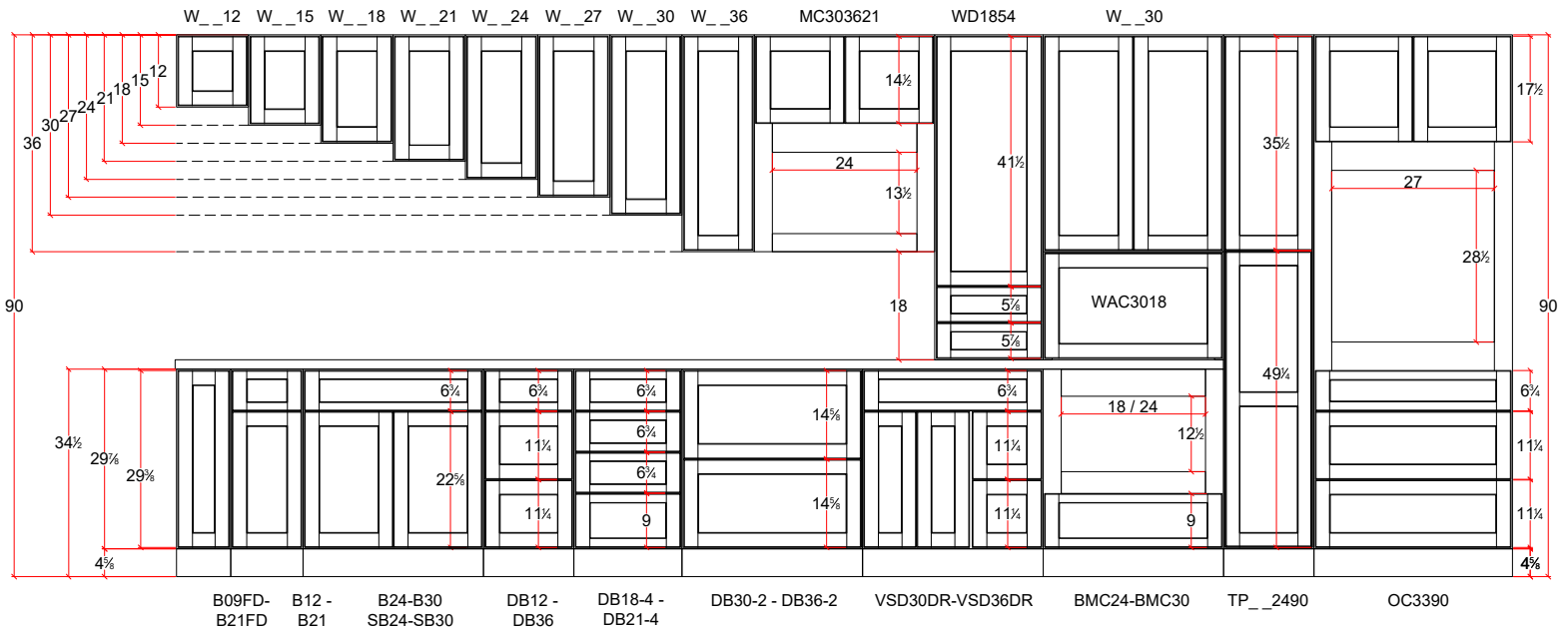
	ITEM	DESCRIPTION
<b>NEW!</b>	AS-B09	Allure Shelf for B09
	AS-B12	Allure Shelf for B12
	AS-B15	Allure Shelf for B15
	AS-B18	Allure Shelf for B18
	AS-B21	Allure Shelf for B21
	AS-B24	Allure Shelf for B24
	AS-B27	Allure Shelf for B27
	AS-B30	Allure Shelf for B30
	AS-B33	Allure Shelf for B33
	AS-B36	Allure Shelf for B36
	AS-B39	Allure Shelf for B39
	AS-B42	Allure Shelf for B42
	AS-B48	Allure Shelf for B48
	AS-BRA24	Allure Shelf for BRA-24
	AS-BT12	Allure Shelf for BT12
	AS-LSB33	Allure Shelf for Lazy Susan Base 33
	AS-LSB36	Allure Shelf for Lazy Susan Base 36
	AS-MC30	Allure Shelf for MC30
	AS-VB12	Allure Shelf for Vanity Base 12
	AS-VB15	Allure Shelf for Vanity Base 15
	AS-W09	Allure Shelf for W09
	AS-W12	Allure Shelf for W12
	AS-W15	Allure Shelf for W15
	AS-W1524D	Allure Shelf for W1524D
	AS-W18	Allure Shelf for W18
	AS-W1824D	Allure Shelf for W1824D
	AS-W21	Allure Shelf for W21
	AS-W24	Allure Shelf for W24
	AS-W2424D	Allure Shelf for W2424D
	AS-W27	Allure Shelf for W27
	AS-W30	Allure Shelf for W30
	AS-W3024D	Allure Shelf for W3024D
	AS-W33	Allure Shelf for W33
	AS-W3324D	Allure Shelf for W3324D
	AS-W36	Allure Shelf for W36
	AS-W3624D	Allure Shelf for W3624D
	AS-W39	Allure Shelf for W39
	AS-WAE12	Allure Shelf for WAE12
	AS-WD18	Allure Shelf for WD18
	AS-WDC24	Allure Shelf for WDC24
	AS-WDC27	Allure Shelf for WDC27
	AS-WPC24	Allure Shelf for WPC24

# **Height Alignment Guide**

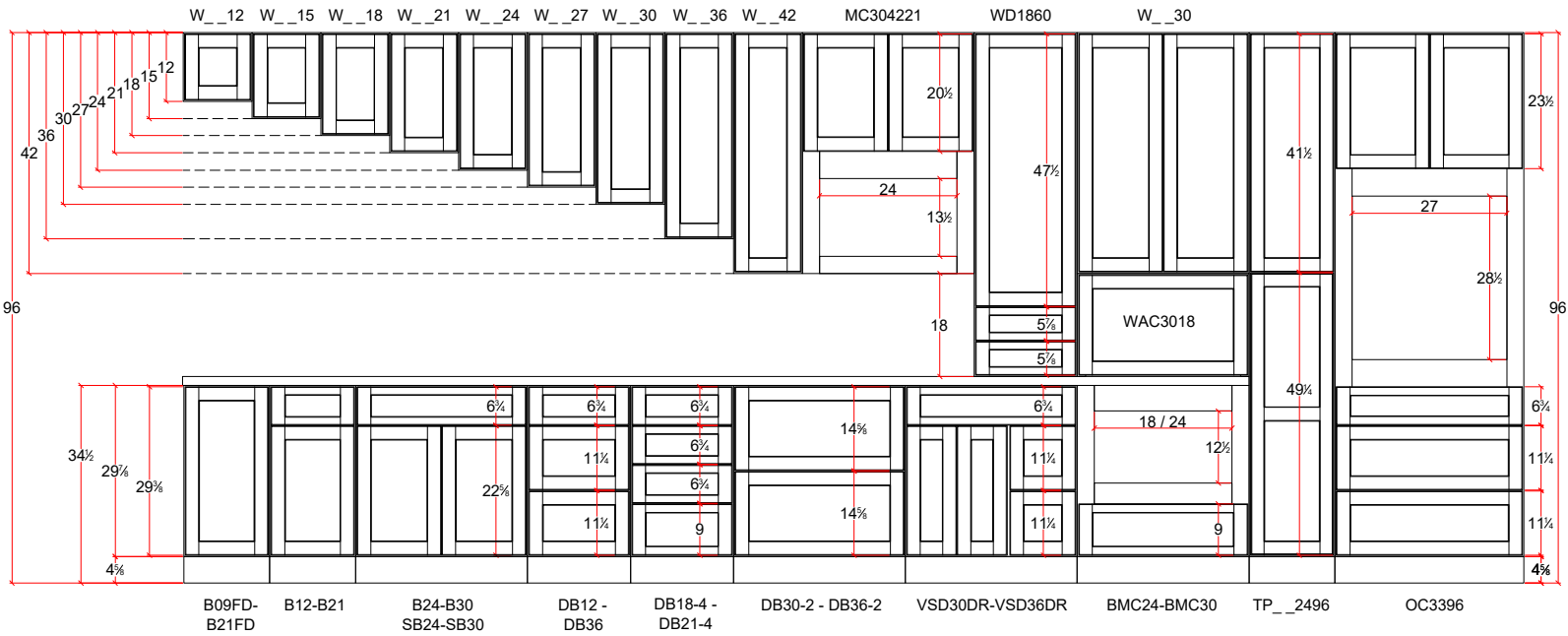
## 84" Height Alignment



# 90" Height Alignment



# 96" Height Alignment



## SKU Glossary

<b>B</b>	Base Cabinet	<b>GDWDC</b>	Glass Door for Wall Diagonal Cabinet
<b>B_FD</b>	Base Full Door Cabinet	<b>ICM</b>	Inside Corner Molding
<b>BBM</b>	Base Board Molding	<b>KD</b>	Knee Drawer
<b>BEP</b>	Base End Panel	<b>LED FLS</b>	Light Bar for Floating Shelf
<b>BF</b>	Base Filler	<b>LED SKIT WLS</b>	Starter Set Power Supply with Wireless Switch
<b>BLB</b>	Blind Base Cabinet	<b>LED W</b>	Under Cabinet Light Bar for Wall Cabinet
<b>BM</b>	Batten Molding	<b>LRM</b>	Light Rail Molding
<b>BMC</b>	Base Microwave Cabinet	<b>LSB</b>	Lazy Susan Base
<b>BOC</b>	Base Oven Cabinet	<b>LSP</b>	Lazy Susan with Plastic Trays
<b>BPP</b>	Beaded Panel Plank	<b>LSW</b>	Lazy Susan with Wood Trays
<b>BRA</b>	Base Return Angle	<b>MBS</b>	Mini Sample Base
<b>BTL</b>	Base Transitional Left	<b>MC</b>	Microwave Cabinet
<b>BTR</b>	Base Transitional Right	<b>MEX</b>	Molding Extension
<b>CBKD-B</b>	Cutting Board & Knife Drawer for Base	<b>MLK</b>	Molding Chain
<b>CD-L</b>	Large Cutlery Divider Insert	<b>MW</b>	Microwave With Shelf
<b>CD-S</b>	Small Cutlery Divider Insert	<b>NDW</b>	No Door Wall Cabinet
<b>CD-XL</b>	X-Large Cutlery Divider Insert	<b>NDWDC</b>	No Door Wall Diagonal Cabinet
<b>CHD-B</b>	Charging Drawer for Base	<b>OC</b>	Oven Cabinet
<b>CLM</b>	Column	<b>OC__C</b>	Oven Cabinet Combo
<b>CM</b>	Crown Molding	<b>OC__D</b>	Oven Cabinet Double
<b>CMCB</b>	Mission Corbel Countertop Bracket	<b>OC__S</b>	Oven Cabinet Single
<b>CML</b>	Mission Corbel Large	<b>OCM</b>	Outside Corner Molding
<b>CMS</b>	Mission Corbel Small	<b>OE</b>	Open End
<b>CP</b>	Corner Post	<b>OEL</b>	Open End Left
<b>CWO</b>	Cookware Organizer	<b>OER</b>	Open End Right
<b>DB</b>	Drawer Base Cabinet (3 Drawer)	<b>OLF</b>	Overlay Filler
<b>DB_-2</b>	Drawer Base with 2 Drawers	<b>PAN</b>	Panel
<b>DB_-4</b>	Drawer Base with 4 Drawers	<b>PLY</b>	Plywood
<b>DCD</b>	Double Cutlery Drawer	<b>PP-BASE</b>	Plain Pilaster for Base
<b>DD</b>	Decorative Door	<b>PP-T</b>	Plain Pilaster for Tall
<b>DFG</b>	Door Prepped For Glass	<b>PP-W</b>	Plain Pilaster for Wall
<b>DFGWD</b>	Door Prepped For Glass Wall Drawer	<b>PSC</b>	Paint Spray Can
<b>DKI</b>	Double Knife Drawer	<b>QRM</b>	Quarter Round Molding
<b>DSB</b>	Diagonal Sink Base Cabinet	<b>REP</b>	Refrigerator End Panel
<b>DSF</b>	Diagonal Sink Front	<b>RHA</b>	Range Hood Arched
<b>DSFL</b>	Diagonal Sink Floor	<b>RHBB</b>	Range Hood Broan Blower
<b>DTD-D</b>	Deep Tiered Drawer	<b>RHCA</b>	Range Hood Curved Artisan
<b>DWR</b>	Dishwasher Return	<b>RHE</b>	Range Hood Euro
<b>ERB</b>	Easy Reach Base	<b>RHF</b>	Range Hood Farmhouse
<b>FD</b>	File Drawer	<b>RHS</b>	Range Hood Signature
<b>FLS</b>	Floating Shelf	<b>ROD</b>	Roll Out Drawer
<b>FS</b>	Farm Sink Base	<b>SB</b>	Sink Base
<b>GDW</b>	Glass Door for Wall Cabinet	<b>SD</b>	Sample Door



## SKU Glossary

<b>SG23</b>	Style Guide Brochure	<b>WF</b>	Wall Filler
<b>SHL</b>	Ship Lap	<b>WO</b>	Wall Organizer
<b>SM_-D</b>	Decorative Scribe Molding	<b>WOS</b>	Wall Open Shelf
<b>SM_-S</b>	Simple Scribe Molding	<b>WP</b>	Wainscot Panel
<b>SP</b>	Standard Post	<b>WPC</b>	Wall Pie Cut Cabinet
<b>SPO-B</b>	Spice Pull Out for Base	<b>WR</b>	Wine Rack
<b>SPO-BF</b>	Spice Pull Out for Base Filler		
<b>SPO-WF</b>	Spice Pull Out for Wall Filler		
<b>STKM</b>	Stacking Molding		
<b>STRM</b>	Starter Molding		
<b>TBPO-BF</b>	Towel Bar Pull Out for Base Filler		
<b>TC</b>	Trash Can Drawer		
<b>TC_FHD</b>	Trash Can Drawer for Full Height Door		
<b>TCV</b>	Vanity Depth Trash Can Drawer		
<b>TDPO-B</b>	Tray Divider Pull Out for Base		
<b>TF</b>	Tall Filler		
<b>TK</b>	Toe Kick		
<b>TP</b>	Tall Pantry		
<b>TUK</b>	Touch Up Kit		
<b>UKBPO-B</b>	Utensil & Knife Block Pull Out for Base		
<b>UT</b>	Utensil Tray Insert		
<b>UVTCPO</b>	U-Shaped Vanity Pull Out with Trash Can		
<b>VAR</b>	Arched Valance		
<b>VARP</b>	Arched Valance with Recessed Panel		
<b>VASR</b>	Door-Mounted Vanity Appliance Storage Rack		
<b>VB</b>	Vanity Base		
<b>VB_FD</b>	Vanity Base Full Door		
<b>VDL</b>	Vanity Desk Leg		
<b>VDO</b>	Vanity Drawer Organizer		
<b>VGO</b>	Vanity Grooming Organizer with Outlet		
<b>VOPO</b>	Vanity Organizer Pull Out		
<b>VSF</b>	Vanity Sink Base		
<b>VSD</b>	Vanity Sink & Drawer Combo		
<b>VSD_DL</b>	Vanity Sink & Drawer Combo with Drawers on Left		
<b>VSD_DR</b>	Vanity Sink & Drawer Combo with Drawers on Right		
<b>VST</b>	Straight Valance		
<b>W</b>	Wall Cabinet		
<b>WAC</b>	Wall Sppliance Cabinet		
<b>WAE</b>	Wall Angle End		
<b>WBC</b>	Wall Blind Cabinet		
<b>WC</b>	Wine Cube		
<b>WD</b>	Wall Drawer Cabinet		
<b>WDC</b>	Wall Diagonal Cabinet		

Copyright © 2024 by Fabuwood Cabinetry Corp.

All rights reserved.

No part of this publication may be reproduced, distributed, or transmitted in any form or by any means, including photocopying, scanning, or other electronic or mechanical methods, including online sharing, without the prior written permission of Fabuwood Cabinetry Corp.

