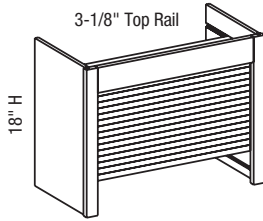


AG/CSAG - Appliance Garage

EXP	FL	FUE	SS	PFD	EXT	FT	SBR	LE	TSS	OS	NSH	WS	MI	DT	NB
✓	✓	✓			✓								✓		



Custom Size Ranges
Width: 24" & 30" only
Height: 18"
Depth: 5-1/2" – 27"

- Sliding tambour door is standard. Hinged butt doors are optional.
- Hard Maple and Soft Maple cabinets will have a Hard Maple tambour door.
- AG not available in Red Oak.

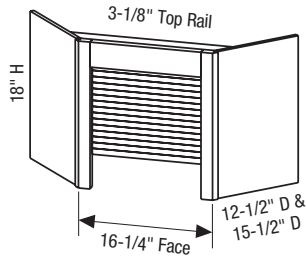
Cabinet Code

AG2418

AG3018

CAG/CSCAG - Corner Appliance Garage

EXP	FL	FUE	SS	PFD	EXT	FT	SBR	LE	TSS	OS	NSH	WS	MI	DT	NB
✓	✓	✓											✓		



Custom Size Ranges
Width: 24" & 27" only
Height: 18"
Depth: 24" & 27" only

- Sliding tambour door is standard. Hinged door is optional.
- Hard Maple and Soft Maple cabinets will have a Hard Maple tambour door.
- CAG not available in Red Oak.

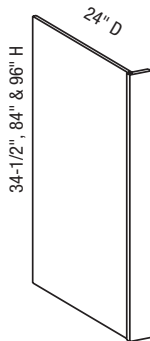
Cabinet Code

CAG2418

CAG2718

DWEP/REP/CSEP - Dishwasher/Refrigerator End Panel

EXP	FL	FUE	SS	PFD	EXT	FT	SBR	LE	TSS	OS	NSH	WS	MI	DT	NB
✓	✓			✓										STD	



Custom Size Ranges
Width: 1-1/2" & 3"
Height: 12" – 120"
Depth: 5-1/2" – 30"

- 1-1/2" or 3" stile.
- Matching specie veneer standard on both sides, except when height exceeds 96-1/16" up to 120", where Natural Birch UV will be used.

Cabinet Code

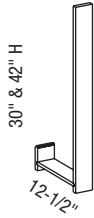
DWEP2434.5 REP2496

REP2484 REP2796

REP2784

Options Key: EXP = Exposed End(s) FL = Flush End(s) FUE = Flush Unexposed End(s) SS = Shaped Side PFD = Prep for False Door
EXT = Extended Stile(s) FT = Flush Toe SBR = Shaped Bottom Rail LE = Leg Extension TSS = Toe Space Side OS = Omit Shelving
NSH = No Shelf Holes WS = Solid Wood Shelves MI = Matching Interior DT = Dust Top NB = Natural Finished Bottom

FS/CSFSW - Filler Strip (Wall)

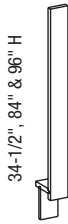


Custom Size Ranges
 Width: 3" & 6"
 Height: 12" – 65"
 Depth: 5-1/2" – 27"

- Solid wood front strip.

Cabinet Code	
FS0330	FS0342
FS0630	FS0642

FS/CSFSB - Filler Strip (Base)



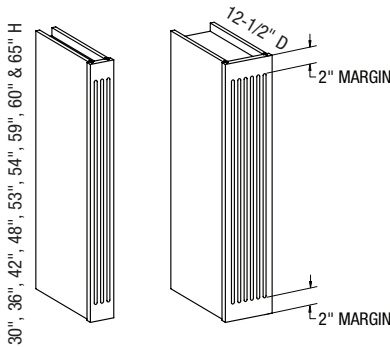
Custom Size Ranges
 Width: 3" & 6"
 Height: 31-1/2" – 96"
 Depth: 4"

- Solid wood front strip.

Cabinet Code	
FS0334.5	FS0684
FS0634.5	FS0396
FS0384	FS0696

WFC/CSWFC - Wall Filler Columns

EXP	FL	FUE	SS	PFD	EXT	FT	SBR	LE	TSS	OS	NSH	WS	MI	DT	NB
✓	✓	✓													✓



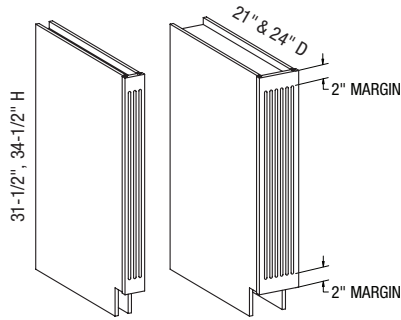
Custom Size Ranges
 Width: 3" & 6" only
 Height: 12" – 65"
 Depth: 5-1/2" – 30"

- Specify either tapered, rounded or no flutes.
- 3" columns have three flutes.
- 6" columns have six flutes.
- When filler columns are required for use with home office base cabinets, order a CSWFC 29-1/2" high.

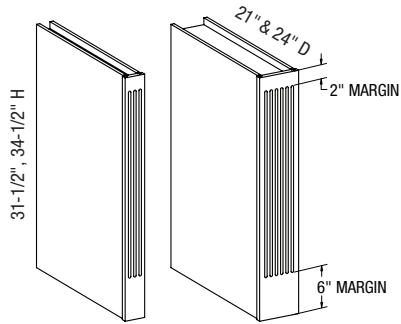
Cabinet Code	
WFC0330	WFC0653
WFC0630	WFC0354
WFC0336	WFC0654
WFC0636	WFC0359
WFC0342	WFC0659
WFC0642	WFC0360
WFC0348	WFC0660
WFC0648	WFC0365
WFC0353	WFC0665

Options Key: EXP = Exposed End(s) FL = Flush End(s) FUE = Flush Unexposed End(s) SS = Shaped Side PFD = Prep for False Door
 EXT = Extended Stile(s) FT = Flush Toe SBR = Shaped Bottom Rail LE = Leg Extension TSS = Toe Space Side OS = Omit Shelving
 NSH = No Shelf Holes WS = Solid Wood Shelves MI = Matching Interior DT = Dust Top NB = Natural Finished Bottom

BFC/CSBFC - Base Filler Columns



Standard Toe



Flush Toe

EXP	FL	FUE	SS	PFD	EXT	FT	SBR	LE	TSS	OS	NSH	WS	MI	DT	NB
✓	✓	✓				✓									

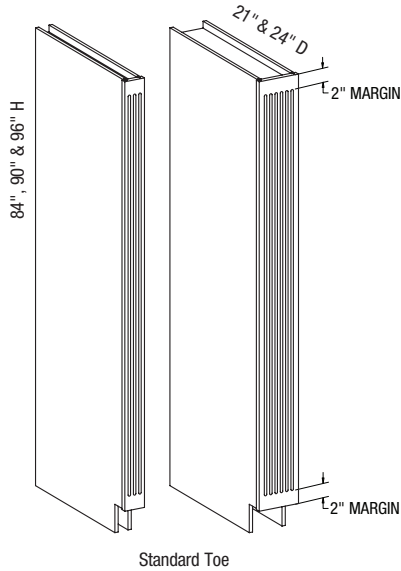
Custom Size Ranges
Width: 3" & 6" only
Height: 31-1/2" – 96"
Depth: 5-1/2" – 30"

- Specify either tapered, rounded or no flutes.
- 3" columns have three flutes.
- 6" columns have six flutes.

Cabinet Code	
BFC0331.5	BFC0334.5
BFC0631.5	BFC0634.5

Options Key: EXP = Exposed End(s) FL = Flush End(s) FUE = Flush Unexposed End(s) SS = Shaped Side PFD = Prep for False Door
EXT = Extended Stile(s) FT = Flush Toe SBR = Shaped Bottom Rail LE = Leg Extension TSS = Toe Space Side OS = Omit Shelving
NSH = No Shelf Holes WS = Solid Wood Shelves MI = Matching Interior DT = Dust Top NB = Natural Finished Bottom

TFC/CSBFC - Tall Filler Columns

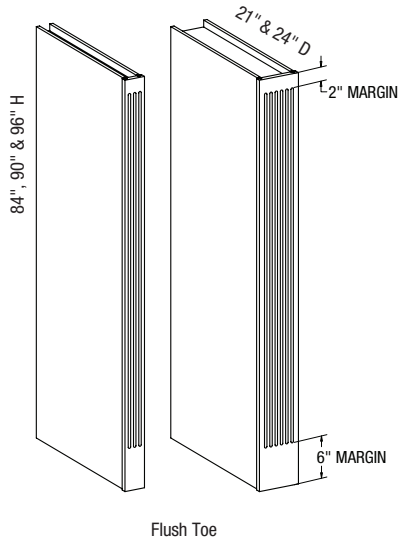


EXP	FL	FUE	SS	PFD	EXT	FT	SBR	LE	TSS	OS	NSH	WS	MI	DT	NB
✓	✓	✓				✓									

Custom Size Ranges
 Width: 3" & 6" only
 Height: 31-1/2" – 96"
 Depth: 5-1/2" – 30"

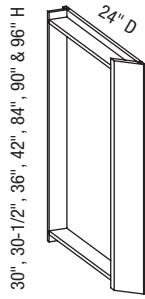
- Specify either tapered, rounded or no flutes.
- 3" columns have three flutes.
- 6" columns have six flutes.

Cabinet Code	
TFC0384	TFC0690
TFC0684	TFC0396
TFC0390	TFC0696



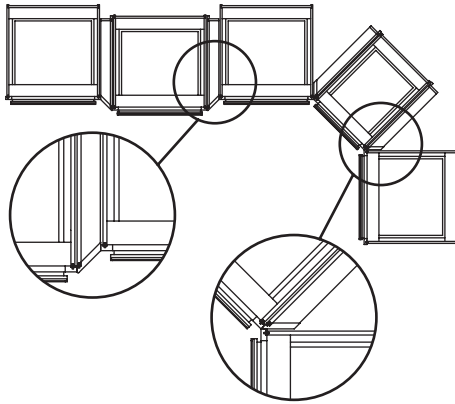
Options Key: EXP = Exposed End(s) FL = Flush End(s) FUE = Flush Unexposed End(s) SS = Shaped Side PFD = Prep for False Door
 EXT = Extended Stile(s) FT = Flush Toe SBR = Shaped Bottom Rail LE = Leg Extension TSS = Toe Space Side OS = Omit Shelving
 NSH = No Shelf Holes WS = Solid Wood Shelves MI = Matching Interior DT = Dust Top NB = Natural Finished Bottom

ZAFL(R) CSZAFL(R) - Zero Angle Filler Left (or Right)



Custom Size Ranges
Width: 3" fixed
Height: 12" – 120"
Depth: 12-1/2" – 24"

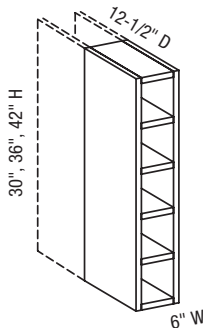
- Designed to turn 135° corners with standard cabinets or to facilitate break front designs.
- No toe kick; use 30-1/2" high unit for standard base applications with toe kicks or specify CS unit at 34-1/2" high when flush toe is required.
- Non-fluted face is standard; 3 flutes spaced evenly on angled face are optional. Specify tapered or rounded flutes. If not specified, flutes will be produced using the tapered design.
- Flute spacing is fixed, no option:
 - ZAF heights 30" – 42" have 2" spacing top and bottom.
 - ZAF heights 84" – 90" have 2" top spacing – specify 2" or 6" bottom spacing.



Cabinet Code	
ZAFL0330	ZAFR0342
ZAFR0330	ZAFL0384
ZAFL0330.5	ZAFR0384
ZAFR0330.5	ZAFL0390
ZAFL0336	ZAFR0390
ZAFR0336	ZAFL0396
ZAFL0342	ZAFR0396

WSU/CSWSUW - Wine Storage Unit

EXP	FL	FUE	SS	PFD	EXT	FT	SBR	LE	TSS	OS	NSH	WS	MI	DT	NB
													STD		



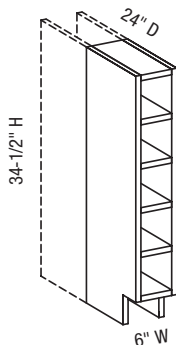
Custom Size Ranges
Width: 6"
Height: 30", 36", 42"
Depth: 12-1/2" – 27"

- 3/4" matching specie plywood with dowel construction.
- Exposed edges are banded with matching specie veneer.
- Hard Maple plywood used for Hard and Soft Maple lines.
- 30" high has five openings.
- 36" high has six openings.
- 42" high has seven openings.
- 11-3/4" interior depth. When ordered deeper than 12-1/2" sides extend past back.

Cabinet Code	
WSU0630	WSU0642
WSU0636	

WSUD/CSWSUB - Wine Storage Unit Deep

EXP	FL	FUE	SS	PFD	EXT	FT	SBR	LE	TSS	OS	NSH	WS	MI	DT	NB
													STD		



Custom Size Ranges
Width: 6"
Height: 34-1/2" only
Depth: 12-1/2" – 30"

- 3/4" matching specie plywood with dowel construction.
- Exposed edges are banded with matching specie veneer.
- Hard Maple plywood used for Hard and Soft Maple lines.
- 11-3/4" interior depth. When ordered deeper than 12-1/2" sides extend past back.

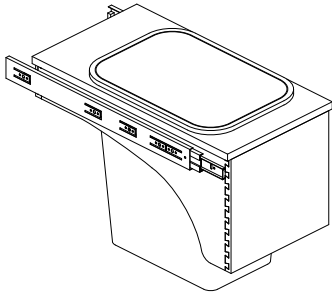
Cabinet Code
WSUD0634.5

Options Key: EXP = Exposed End(s) FL = Flush End(s) FUE = Flush Unexposed End(s) SS = Shaped Side PFD = Prep for False Door
EXT = Extended Stile(s) FT = Flush Toe SBR = Shaped Bottom Rail LE = Leg Extension TSS = Toe Space Side OS = Omit Shelving
NSH = No Shelf Holes WS = Solid Wood Shelves MI = Matching Interior DT = Dust Top NB = Natural Finished Bottom

Trash Can Pull-Outs

- Designed to fit standard 24" deep Cabinet Systems cabinets.
- Available in Hard Maple and Natural Birch.
- 3/4" thick Hard Maple edgebanded plywood top.
- Front height is 10" to accommodate door mounting. Rear height is 3", depth is fixed at 21-3/4".
- Ball bearing full extension drawer slides are standard – no options.

TCPS/CSTCPS - Trash Can Pull-Out Single

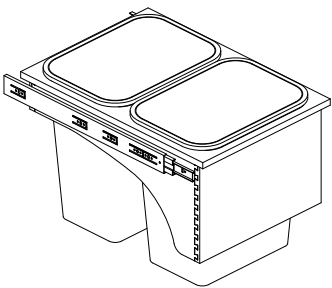


Custom Size Ranges
Width: 15" – 21"
Height: Min. opening 16"
Depth: 24"

- Includes one 7-gallon, almond color waste can.
- Not available with inset applications.

Cabinet Code	
TCPS1524	TCPS2124
TCPS1824	

TCPD/CSTCPD - Trash Can Pull-Out Double

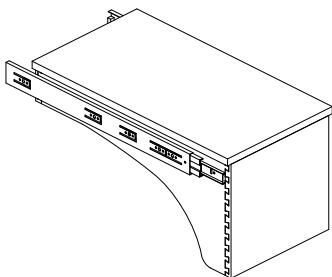


Custom Size Ranges
Width: 21" – 30"
Height: Min. opening 16"
Depth: 24"

- Includes two 7-gallon, almond color waste can.
- Not available with inset applications.

Cabinet Code	
TCPD2124	TCPD2724
TCPD2424	TCPD3024

TCPN/CSTCPN - Trash Can Pull-Out No Cut-Out



Custom Size Ranges
Width: 15" – 30"
Height: Min. opening 16"
Depth: 24"

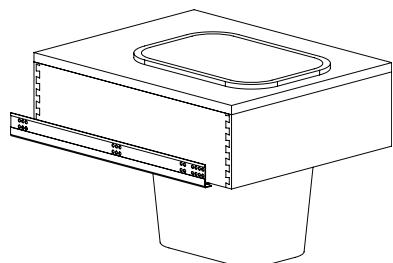
- Does not include waste can.
- Plywood top is shipped loose.
- Not available with inset applications.

Cabinet Code	
TCPN1524	TCPN2424
TCPN1824	TCPN2724
TCPN2124	TCPN3024

Trash Can Pull-Outs

- Designed to fit standard 24" deep Cabinet Systems cabinets.
- Natural Birch box and 3/4" thick Hard Maple edgebanded plywood top.
- Unit height is 6" to accommodate door mounting. Depth is fixed at 21-3/4".
- Blum TANDEM plus full extension drawer slides standard – no options.

TCPTS/CSTCPTS - Trash Can Pull-Out TANDEM Single

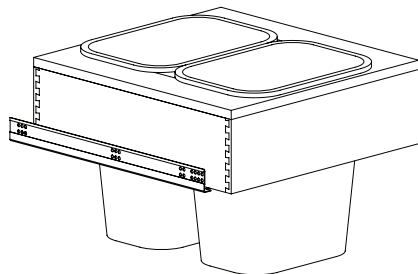


Custom Size Ranges
 Width: 18" – 21"
 Height: Min. opening 16"
 Depth: 24"

- Includes one 7-gallon, almond color waste can.

Cabinet Code	
TCPTS1824	
TCPTS2124	

TCPTD/CSTCPTD - Trash Can Pull-Out TANDEM Double

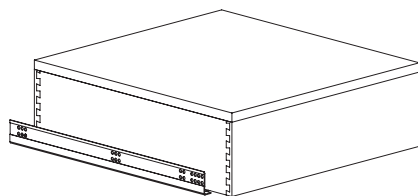


Custom Size Ranges
 Width: 24" – 30"
 Height: Min. opening 16"
 Depth: 24"

- Includes two 7-gallon, almond color waste cans.

Cabinet Code	
TCPTD2424	TCPTD3024
TCPTD2724	

TCPTN/CSTCPTN - Trash Can Pull-Out TANDEM No Cut-Out

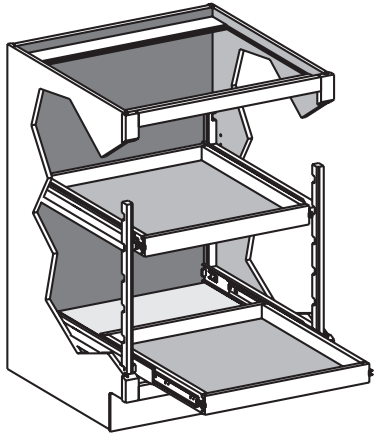


Custom Size Ranges
 Width: 18" – 30"
 Height: Min. opening 16"
 Depth: 24"

- Does not include waste can.
- Plywood top is shipped loose.

Cabinet Code	
TCPTN1824	TCPTN2724
TCPTN2124	TCPTN3024
TCPTN2424	

Pull-Out Trays



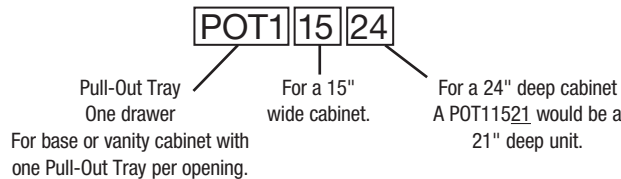
- Pull-Out Tray (POT) system includes corner cleats and dovetail trays.
- Provides tool-free location change of Pull-Out Trays.
- Adjustable pull-out system features unfinished Soft Maple installation components.
- Boxes are 2" high and available for 21" or 24" deep base, vanity or tall cabinets.
- All POT kits available sized for inset (1-1/2" less in drawer box width) to allow for door clearance with non-mortise hinges. Also can be used in cabinets adjacent to a wall or a tall cabinet where doors may not open fully for additional clearance. Add "I" to the end of the POT code for inset sizing. Example: POT21524-I.
- Pricing: per POT system.

Pull-Out Trays - Product Code Descriptions

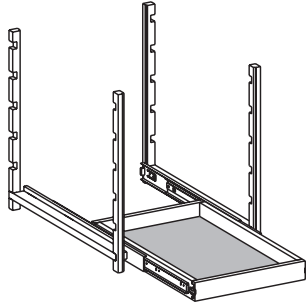
Code	Name	Description
POT1	Pull-Out Tray	For base or vanity cabinet with 1 Pull-Out Tray per opening
POT2	Pull-Out Tray	For base or vanity cabinet with 2 Pull-Out Trays per opening
POTT	Pull-Out Tray Tall	For tall cabinets with 4 Pull-Out Trays
POTS	Pull-Out Tray Single	Individual Pull-Out Tray: drawer cleats, slide, bumpers and one drawer box
BD	Butt Door Indicator	Codes ending in "BD" indicate Pull-Out Trays designed for use with butt door cabinets

On the Cabinet Systems Order Form, enter the desired Pull-Out Tray code number in the column "Conestoga Cabinet Code #". This Pull-Out Tray must match the width, depth and door configuration of the cabinet it is to be installed in.

Example of Pull-Out Tray code number:



POT1/CSPOT1 - Pull-Out Trays

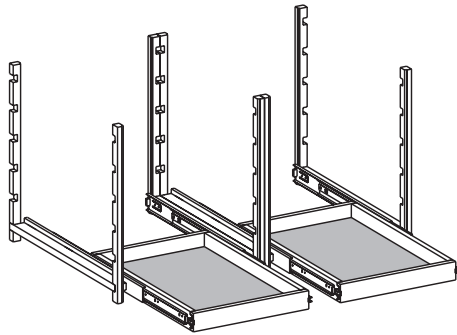


Custom Size Ranges
 Width: 15" – 36"
 Height: 34-1/2"
 Depth: 21", 24"

- Corner cleats can be trimmed to size when used with a shelf.

24" Deep	24" Deep w/Butt Doors	21" Deep	21" Deep w/Butt Doors
POT11524	POT12724BD	POT11521	POT12721BD
POT11824	POT13024BD	POT11821	POT13021BD
POT12124	POT13324BD	POT12121	POT13621BD
POT12424	POT13624BD	POT12421	
	POT13924BD		
	POT14224BD		

POT1/CSPOT1CS - Pull-Out Trays

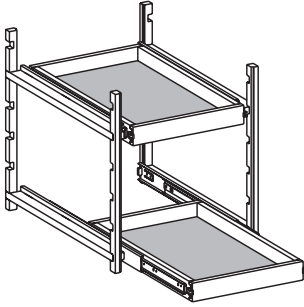


Custom Size Ranges
 Width: 30" – 48"
 Height: 34-1/2"
 Depth: 21", 24"

- Corner cleats can be trimmed to size when used with a shelf.

24" Deep	21" Deep
POT13024	POT13021N
POT13324	POT13621N
POT13624	
POT13924	
POT14224	
POT14524	
POT14824	

POT2/CSPOT2 - Pull-Out Trays

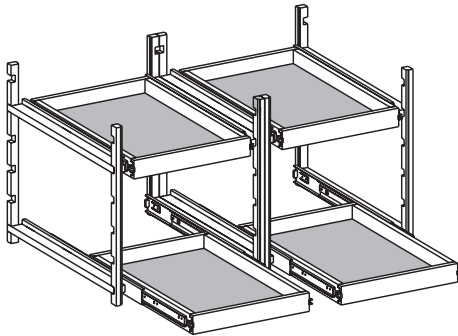


Custom Size Ranges
Width: 15" – 36"
Height: 34-1/2"
Depth: 21", 24"

- Corner cleats can be trimmed to size when used with a shelf.

24" Deep	24" Deep w/Butt Doors	21" Deep	21" Deep w/Butt Doors
POT21524	POT22724BD	POT21521	POT22721BD
POT21824	POT23024BD	POT21821	POT23021BD
POT22124	POT23324BD	POT22121	POT23621BD
POT22424	POT23624BD	POT22421	
	POT23924BD		
	POT24224BD		

POT2/CSPOT2CS - Pull-Out Trays

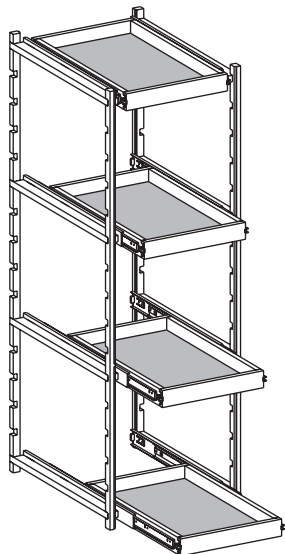


Custom Size Ranges
Width: 30" – 48"
Height: 34-1/2"
Depth: 21", 24"

- Corner cleats can be trimmed to size when used with a shelf.

24" Deep	21" Deep
POT23024	POT23021
POT23324	POT23621
POT23624	
POT23924	
POT24224	
POT24524	
POT24824	

POTT/CSPOTT - Pull-Out Trays Tall

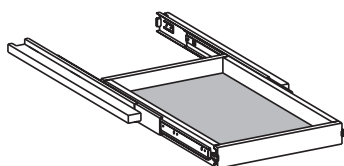


Custom Size Ranges
 Width: 15" – 36"
 Height: 84" – 96"
 Depth: 21", 24"

- Corner cleats can be trimmed to size when used with a shelf.
- Unit fits larger section of 84", 90", or 96" high cabinets.

24" Deep	24" Deep w/Butt Doors	21" Deep
POTT1524	POTT2724BD	POTT1821
POTT1824	POTT3024BD	POTT2121
POTT2124	POTT3324BD	POTT2421
POTT2424	POTT3624BD	

POTS/CSPOTS - Pull-Out Trays Single - Single Opening

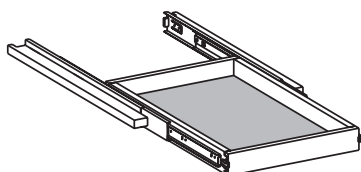


Custom Size Ranges
 Width: 15" – 48"
 Height: 34-1/2", 84", 90", 96"
 Depth: 21", 24"

- No corner cleats included.
- Designed to be used when additional trays are needed within a POT system one opening wide.

24" Deep	24" Deep w/Butt Doors	21" Deep	21" Deep w/Butt Doors
POTS1524	POTS2724BD	POTS1521	POTS2721BD
POTS1824	POTS3024BD	POTS1821	POTS3021BD
POTS2124	POTS3324BD	POTS2121	POTS3621BD
POTS2424	POTS3624BD	POTS2421	

POTS/CSPOTSCS - Pull-Out Trays Single - Double Opening



Custom Size Ranges
 Width: 30" – 48"
 Height: 34-1/2", 84", 90", 96"
 Depth: 21", 24"

- No corner cleats included.
- Designed to be used when additional trays are needed within a POT system two openings wide.



24" Deep	21" Deep
POTS3024	POTS3021
POTS3324	POTS3621
POTS3624	
POTS3924	
POTS4224	
POTS4524	
POTS4824	

Moulding Pricing and Availability (All pricing per 8 ft. piece)

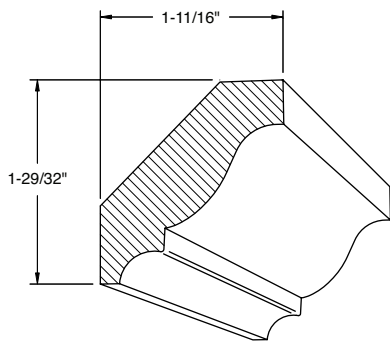
Design and Profile	Size	Cherry	Maple, Hard	Maple, Soft	Oak, Red
Crown 6	2-9/16"	\$36.00	\$30.00	\$30.00	\$30.00
Crown 24	4-5/16"	52.00	44.00	44.00	45.00
Crown 33	1-9/16"	27.00	24.00	24.00	23.00
Crown 619	3-3/8"	45.00	36.00	34.00	34.00
Large Cove 1524	3-13/16"	50.00	41.00	37.00	38.00
Crown 2324	3-7/8"	50.00	41.00	37.00	38.00
Crown 2325	5-1/2"	68.00	50.00	50.00	55.00
Crown 801 w/mounting plate	3-9/16"	70.00	65.00	54.00	55.00
Shaker Crown 1126 w/mounting plate	3-5/8"	70.00	65.00	54.00	58.00
Light Rail B11	1-1/2"	28.00	27.00	27.00	25.00
Light Rail 2380 w/mounting plate	1-3/4"	66.00	60.00	55.00	57.00
Batten 13	1-1/4"	19.00	18.00	18.00	18.00
Scribe 14	1-1/4"	19.00	18.00	18.00	16.00
Inside Corner Cove 11	3/4"	19.00	19.00	19.00	19.00
Outside Corner 12	3/4"	19.00	19.00	19.00	19.00
Colonial Base 10	4-1/2"	52.00	44.00	44.00	45.00
Beaded Base 381	4-1/2"	52.00	44.00	44.00	45.00
Beaded Panel B09	3-1/4"	34.00	30.00	28.00	26.00

- Size is nominal. Actual 8 foot length is between 94" and 97".
- 12 ft. mouldings available in select profiles and species. See Section 9 of the Custom Product Manual for availability and pricing.
- Maximum stock order per specific profile and specie is 25 pieces. Additional pieces take 10 days.
- When ordering dual-side profile products, specify "Face Side A" or "Face Side B".
- 8 foot mouldings can be ordered finished "Face Only" or finished "Face and Back". See Section 9 of the Custom Product Manual for pricing details.
- See the Moulding Section of the Custom Product Manual for additional moulding selections and pricing.

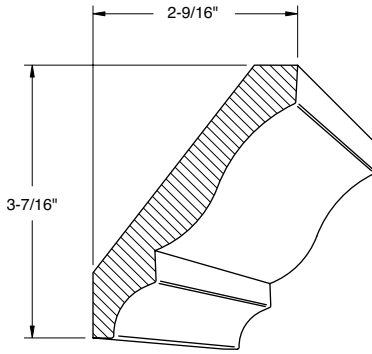
Key

-  Non-stock item
10 day lead-time.
-  Stock item—3 day lead-time/2 day red expedite (20% upcharge).

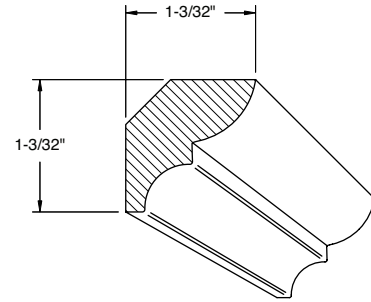
Crown Mouldings



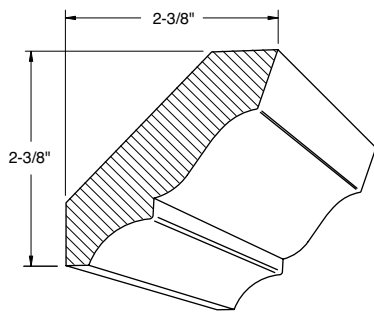
Crown 6



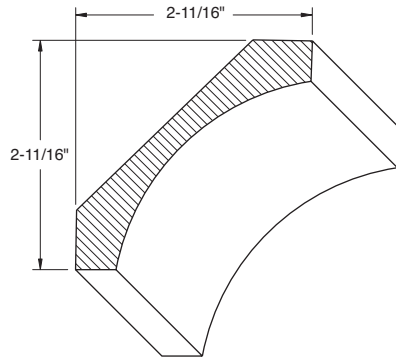
Crown 24



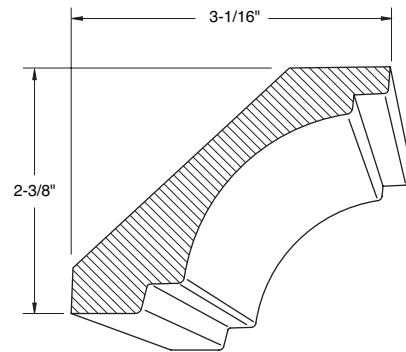
Crown 33



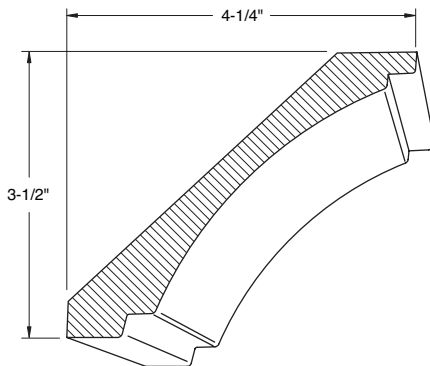
Crown 619



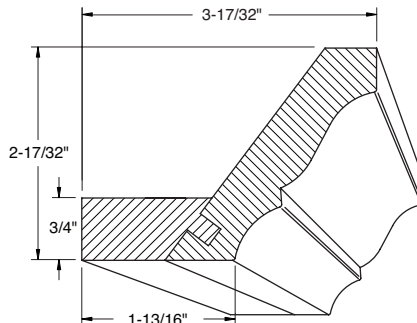
Large Cove 1524



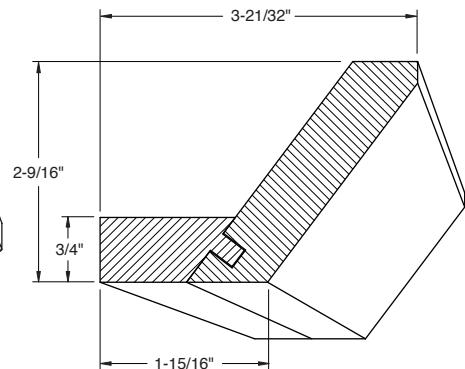
Crown 2324



Crown 2325



**Crown 801
w/mounting plate**

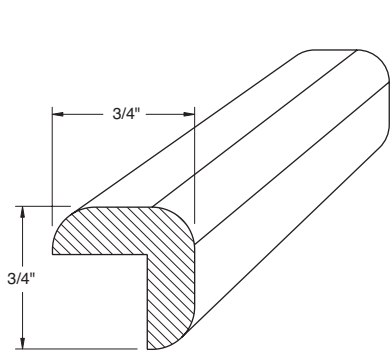


**Shaker Crown 1126
w/mounting plate**

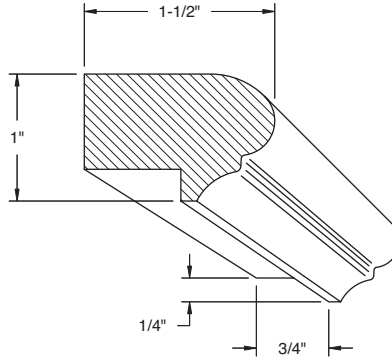
Note: Drawings not to scale.

See the Moulding Section of the Custom Product Manual for additional moulding selections and pricing.

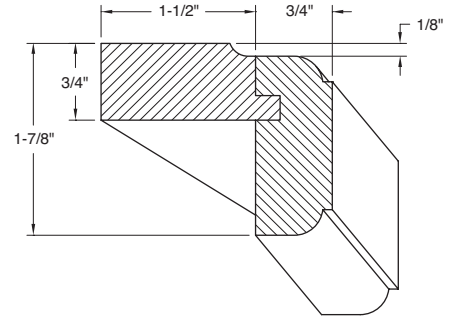
Crown Mouldings



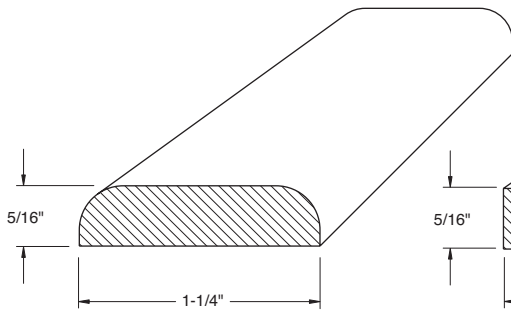
Outside Corner 12



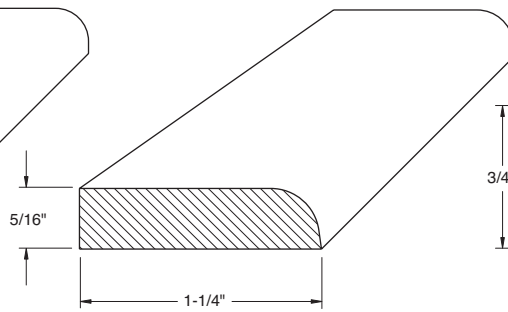
Light Rail B11



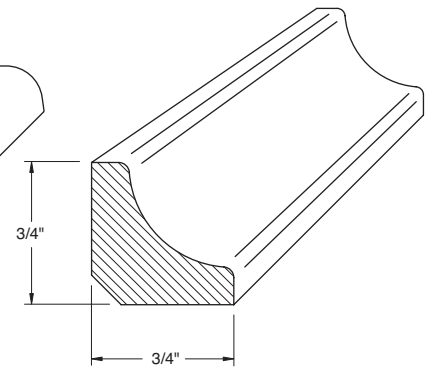
Light Rail 2380†
w/mounting plate



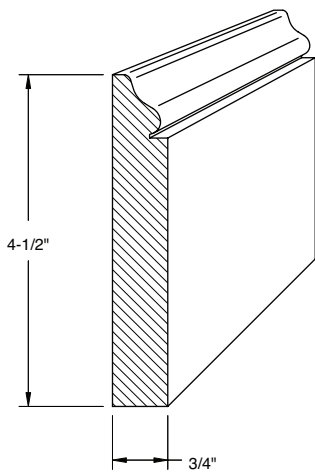
Batten 13



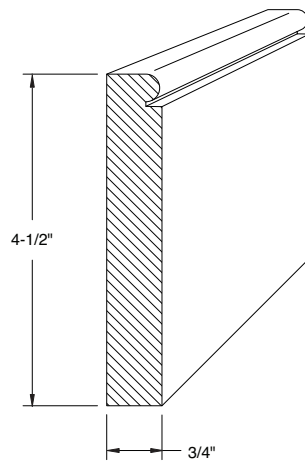
Scribe 14



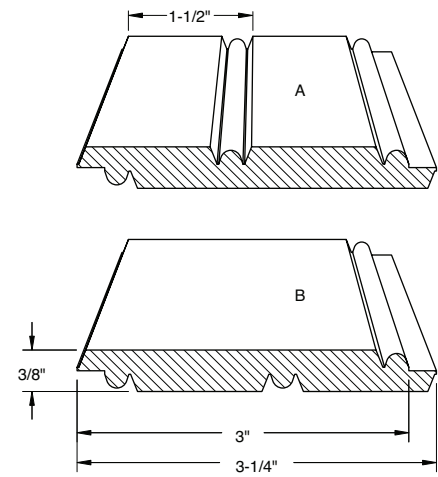
Cove 11



Colonial Base 10



Beaded Base 381

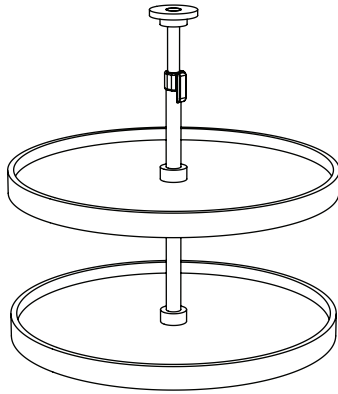


Beaded Panel B09

When ordering prefinished product, specify "Finish side A" or "Finish side B".
When ordering dual side profile product, specify "Face side A" or "Face side B".

† Light Rail 2380 is manufactured with matching specie mounting plate. Option to choose edge profile to be applied to top and bottom. See the Moulding Section of the Custom Product Manual for additional moulding selections and pricing.
Note: Drawings not to scale.

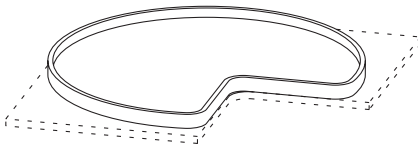
Standard Lazy Susan Shelves



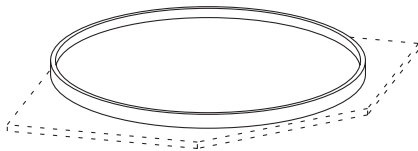
- White plastic susan with two independently rotating shelves mounted on a center pole.
- Shelves feature self lubricating nylon bearing and tool-free height adjustment.
- When standard lazy susan shelves are ordered, cabinet interior shelves are automatically omitted.
- See individual cabinet sections for standard lazy susan upgrade pricing.

Part No.	Sized for Cabinet	Description
2102946	WCS/CSWCSE WCA/CSWCA TTWCSE/CSTTWCE	18" Full Round
2102947	BCFD/CSBCFD	32" Full Round
2102948	BLS/CSBLS	32" Kidney
2102949	BLS30/CSBLS30	24" Kidney

Wood Lazy Susan Shelves



Kidney

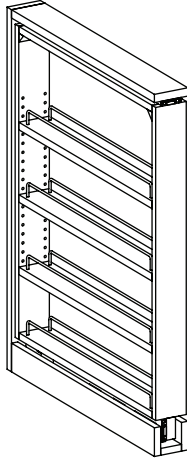


Full Round

- Wood susans are designed to be installed onto adjustable shelves and cabinet floors.
- Pricing includes susan and mounting ring bearing only, cabinet shelves not included.
- No center pole is required.
- Sold individually and packaged with a center mounted ring bearing.
- All susans are prefinished with clear topcoat; unfinished units are not available.
- 1/2" thick Maple plywood with a 1-1/2" high laminated edge.

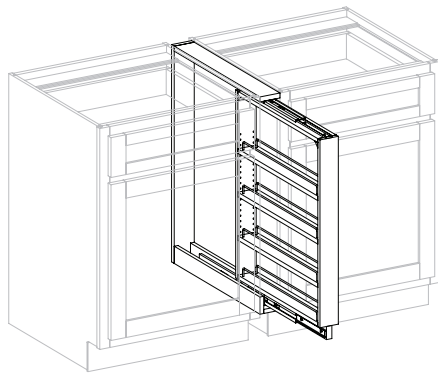
Part No.	Sized for Cabinet	Description
2100050A	BLS3634.5	32" Kidney-Wood Lazy Susan
2100051A	BCFD3634.5	32" Full Round-Wood Lazy Susan
2100053A	WCA/WCS	18" Full Round-Wood Lazy Susan

Pull-Out Storage Units



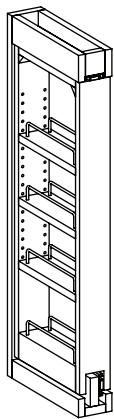
Base Units

- All base storage units 23" deep and 30" high.



Pull-Out Storage Unit Installed

- Mount Pull-Out Storage Units to adjacent cabinets.



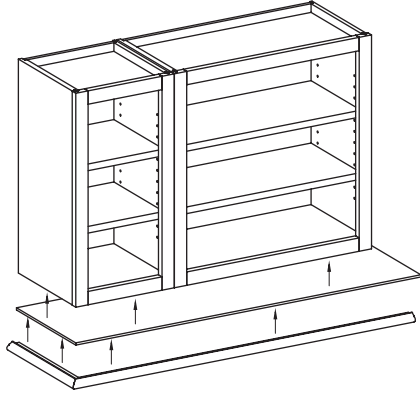
Wall Units

- Available in 30", 36" and 42" high.
- All wall storage units 11-1/8" deep.

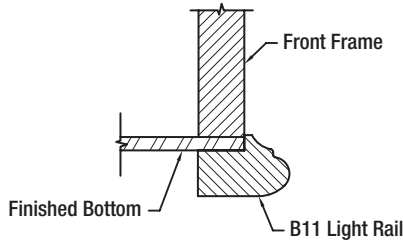
- Pull-Out Storage Units are designed for 3" or 6" spaces between cabinets and can be accessed from both sides.
- Storage units are fully assembled and packaged with installation instructions.
- Wall and base storage units include adjustable shelves with chrome rails and full-extension ball bearing sides.
- Prefinished Natural Birch only; unfinished units are not available.
- Drawer fronts and overlay fillers are not included and must be ordered separately.

Part No.	Description
2100750A	3" Base Pull-Out Storage Unit
2100751A	6" Base Pull-Out Storage Unit
2100752A	3" Wall Pull-Out Storage Unit - 30" High
2100753A	6" Wall Pull-Out Storage Unit - 30" High
2100754A	3" Wall Pull-Out Storage Unit - 36" High
2100755A	6" Wall Pull-Out Storage Unit - 36" High
2100756A	3" Wall Pull-Out Storage Unit - 42" High
2100757A	6" Wall Pull-Out Storage Unit - 42" High

Finished Bottom Panels for Wall Cabinets

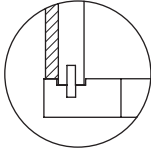
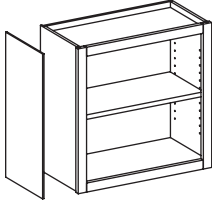


- 1/4" plywood strips in Cherry, Hard Maple and Red Oak are available in common wall depths x 96" long.
- Diagonal corner wall panels are available for WCS, WCSLS and TWCSE cabinets.
- When attached to the underside of wall cabinets, these panels provide flush finished bottoms.
- Use B11 Light Rail to cover exposed plywood edges.
- For best results attaching B11 at end of run applications, order flush ends.



Panel Size/Design	Template No.
96" x 12-1/2"	TB5009
96" x 15-1/2"	
96" x 18"	
96" x 21"	
96" x 24"	
Corner panel 24" x 24"	TB5010
Corner panel 27" x 27"	

End Skins - Program Species

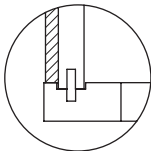
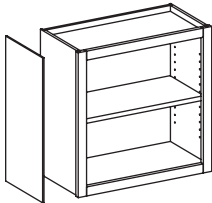


- Use end skins when exposed or flush ends are necessary.
- End skins are 1/4" thick veneer core with sound backs. Face species are Plain Sliced B grade veneers.
- End skins are available finished or unfinished and will be sent separately from the cabinets. See Finishing Program Section for finish pricing.
- When installed, 1/4" end skins provide a nearly flush end and need to be installed using adhesive.
- To calculate end skins for most cabinets: width = cabinet depth minus 3/4"
length = overall cabinet height
- To order, specify end skin, specie, width and height.

1/4" End Skins - Program Species

Specie	
Cherry	Red Oak
Hard Maple	

Non-Standard Specie Option for Cabinet Systems



- End skins are 1/4" thick plywood with MDF core with matching specie face and back. Most species are Plain Sliced A faces with 1" backs except Red and White Birch which are rotary cut face and back.
- Species other than the standard program (Cherry, Hard Maple, Red Oak and Soft Maple) are available using custom specie front frames, and pre-cut matching specie end skins for cabinet sides.
- End skins are available finished or unfinished and will be sent separately from the cabinets. See Solid Wood Finishing Section 9 in the Custom Product Manual for finish pricing.
- When installed, 1/4" end skins provide a nearly flush end and need to be installed using adhesive.
- Matching specie interior components are not available for non-standard species.
- Conestoga's online software Con-Nex, will calculate pre-cut end skins for visible cabinet ends based on the cabinet size. Specify left, right or both sides that require end skins.

1/4" End Skins for Non-Standard Cabinet Systems Species

Specie	
Alder	Knotty Pine**
Birch, Red	Quarter Sawn Red Oak
Birch White	Quarter Sawn White Oak
Caramelized Bamboo	White Oak (Plain Sliced)
MDF* (Raw)	Walnut
Hickory	

*MDF end skins are for painted applications. Face frames are not available in MDF and a specie and grade must be specified. Paint Grade Hard Maple (PGHM) is recommended.

**Custom face frames are not available in Knotty Pine. Frames are constructed using Clear Pine.