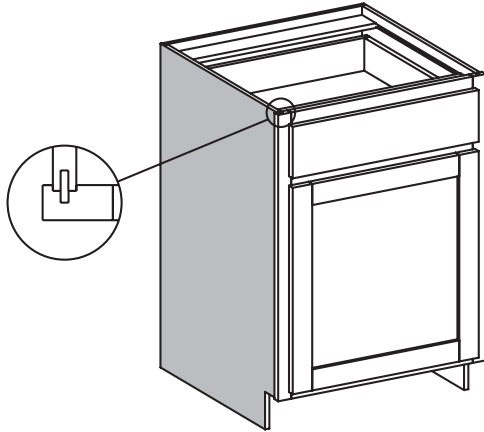


**Exposed Ends (EXP)**

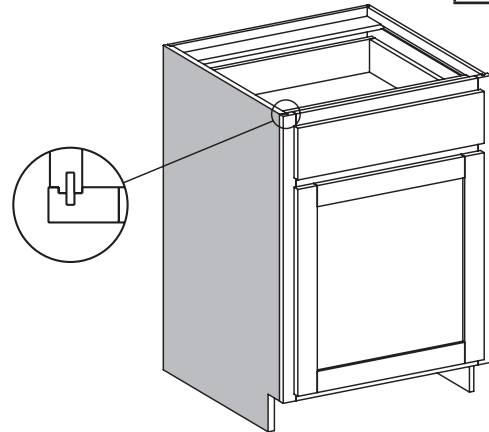
EXP	FL	FUE	SS	PFD	EXT	FT	SBR	LE	TSS	OS	NSH	WS	MI	DT	NB
✓															



- Matching specie veneer on 1/2" thick cabinet sides.
- Specify: "L" (Left), "R" (Right) or "B" (Both).
- 1/4" reveal from edge of front frame to surface of the side.
- Hard Maple and Soft Maple cabinets have Hard Maple exposed ends.
- Use Conestoga's online ordering system, Con-Nex or Conestoga order entry for pricing.

**Flush Ends (FL)**

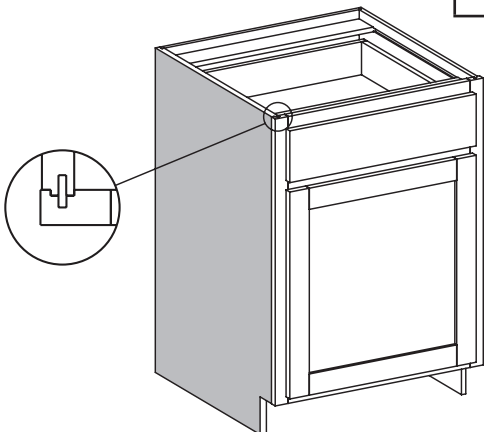
EXP	FL	FUE	SS	PFD	EXT	FT	SBR	LE	TSS	OS	NSH	WS	MI	DT	NB
	✓														



- Matching specie veneer on exposed of 3/4" thick cabinet sides.
- Specify: "L" (Left), "R" (Right) or "B" (Both).
- 1/32" reveal from edge of front frame to surface of the side.
- Hard Maple and Soft Maple cabinets have Hard Maple flush ends.
- Use Conestoga's online ordering system, Con-Nex or Conestoga order entry for pricing.

**Flush Unexposed Ends (FUE)**

EXP	FL	FUE	SS	PFD	EXT	FT	SBR	LE	TSS	OS	NSH	WS	MI	DT	NB
		✓													

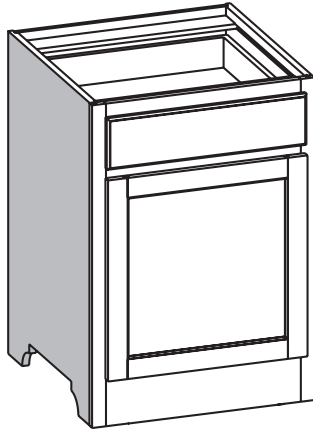


- Shop grade veneer on exterior face of 3/4" thick cabinet sides – finishing is not available.
- Order when thicker, non-exposed sides are required for solid surface and stone counter tops.
- Specify: "L" (Left), "R" (Right) or "B" (Both).
- 1/32" reveal from edge of front frame to surface of the side.
- Use Conestoga's online ordering system, Con-Nex or Conestoga order entry for pricing.

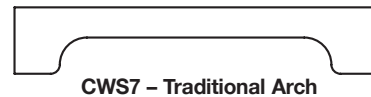
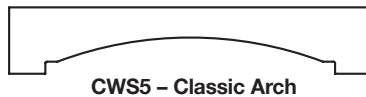
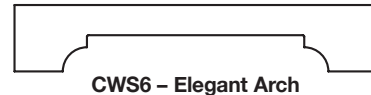
**Options Key:** EXP = Exposed End(s) FL = Flush End(s) FUE = Flush Unexposed End(s) SS = Shaped Side PFD = Prep for False Door  
 EXT = Extended Stile(s) FT = Flush Toe SBR = Shaped Bottom Rail LE = Leg Extension TSS = Toe Space Side OS = Omit Shelving  
 NSH = No Shelf Holes WS = Solid Wood Shelves MI = Matching Interior DT = Dust Top NB = Natural Finished Bottom

### Shaped Side Option (SS)

EXP	FL	FUE	SS	PFD	EXT	FT	SBR	LE	TSS	OS	NSH	WS	MI	DT	NB
			✓												

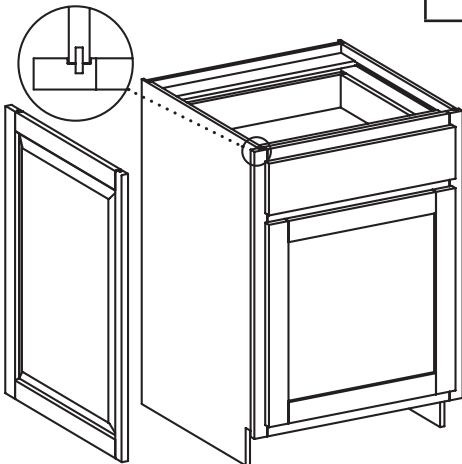


- Option incorporates one of four valance designs on exposed or flush ends.
- To order, specify using Conestoga designations associated with the design – see shape options below.
- Specify “SS” – “L” (Left), “R” (Right) or “B” (Both).
- Design is centered on the length of the cabinet side.
- Not available with extended stiles, loose toe platform or flush unexposed ends.
- Toe space side option is not available.
- Available on most base, tall and vanity cabinets.
- Minimum cabinet depth is 15”.



### Prepare for False Door Side Option (PFD)

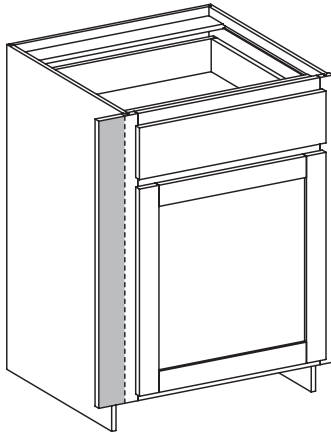
EXP	FL	FUE	SS	PFD	EXT	FT	SBR	LE	TSS	OS	NSH	WS	MI	DT	NB
				✓											



- Prepares the sides of wall, base, tall or vanity cabinets to accept 3/4” thick doors as decorative, integral cabinet sides.
- False doors not included, must be ordered separately.
- Cabinet carcass width is reduced to provide a 13/16” extension of the front frame on left, right or both sides. Overall cabinet front width remains unchanged.
- Left and right stiles are 1-1/2” wide.
- Specify: “L” (Left), “R” (Right) or “B” (Both).
- Available on most wall, base and tall cabinets.
- Concealed Inset Hinges and Pull-Out Trays (POT’s) are not available with Prepare for False Door Side Option.
- Order false door width 3/4” less than overall cabinet depth. Height of false door equals cabinet height.
- Use Conestoga’s online ordering system, Con-Nex or Conestoga order entry for pricing.

**Options Key:** EXP = Exposed End(s) FL = Flush End(s) FUE = Flush Unexposed End(s) SS = Shaped Side PFD = Prep for False Door  
 EXT = Extended Stile(s) FT = Flush Toe SBR = Shaped Bottom Rail LE = Leg Extension TSS = Toe Space Side OS = Omit Shelving  
 NSH = No Shelf Holes WS = Solid Wood Shelves MI = Matching Interior DT = Dust Top NB = Natural Finished Bottom

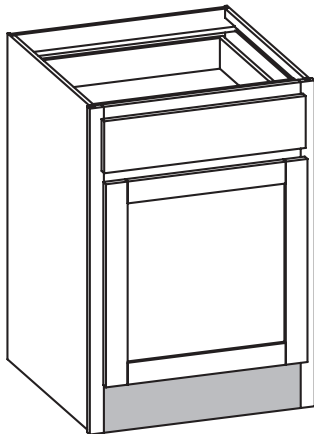
**Extended Stiles (EXT)/Custom Extended Stiles (CSEXT)**



EXP	FL	FUE	SS	PFD	EXT	FT	SBR	LE	TSS	OS	NSH	WS	MI	DT	NB
					✓										

- Provides 3" wide frame extension (standard) for field trimming or custom width stile extensions to avoid cutting at installation.
- If CSEXT is ordered, stile width can be specified between 1/4" and 3" in 1/16" increments.
- For standard 3" extension specify: EXL (Extended Left), EXR (Extended Right) or EXB (Extended Both).
- For custom extension specify: CSEXL (Custom Extended Left), CSEXR (Custom Extended Right) or CSEXB (Custom Extended Both) followed by the width required.
- Available on most wall, base, tall, vanity and home office units.
- Use Conestoga's online ordering system, Con-Nex or Conestoga order entry for pricing.

**Flush Toe (FT)**

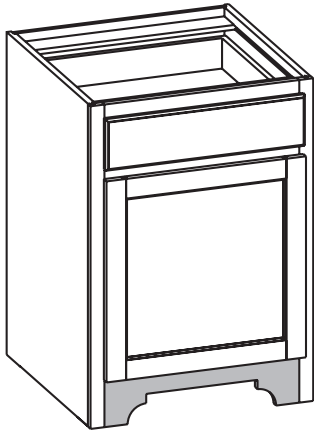


EXP	FL	FUE	SS	PFD	EXT	FT	SBR	LE	TSS	OS	NSH	WS	MI	DT	NB
						✓									

- Bottom rail height is 5-1/2".
- Specify: "FT" (Flush Toe).
- Cabinet side is manufactured without toe notch.
- 96" tall cabinets do not use a toe platform.
- Available on most base and tall cabinets.
- Use Conestoga's online ordering system, Con-Nex or Conestoga order entry for pricing.

**Options Key:** EXP = Exposed End(s) FL = Flush End(s) FUE = Flush Unexposed End(s) SS = Shaped Side PFD = Prep for False Door  
 EXT = Extended Stile(s) FT = Flush Toe SBR = Shaped Bottom Rail LE = Leg Extension TSS = Toe Space Side OS = Omit Shelving  
 NSH = No Shelf Holes WS = Solid Wood Shelves MI = Matching Interior DT = Dust Top NB = Natural Finished Bottom

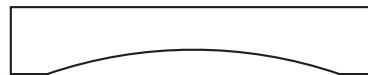
### Shaped Bottom Rail (SBR)



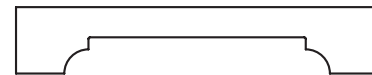
CWS6 – Elegant Arch shown

EXP	FL	FUE	SS	PFD	EXT	FT	SBR	LE	TSS	OS	NSH	WS	MI	DT	NB
							✓								

- Rail height is 5-1/2". Flush toe is standard; cabinet side is constructed without toe notch.
- Roman, Elegant, Classic and Traditional Arch designs are centered on bottom rail.
- Elegant 2 and Traditional 2 designs are available on the left only, right only or both sides of the bottom rail.
- Elegant 2 and Traditional 2 designs rise to 1-1/2" framing. These designs will not match Elegant or Traditional Arch designs.
- Elegant 2 and Traditional 2 designs are not available with the Shaped Side Option.
- To order specify using CWS designations associated with the design.
- Not available with Loose Toe Platform Option for tall cabinets.
- Available on most base, tall and vanity cabinets.
- Minimum cabinet width is 15".
- Use Conestoga's online ordering system, Con-Nex or Conestoga order entry for pricing.



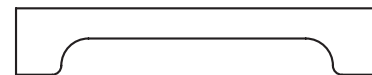
CWS4 – Roman Arch



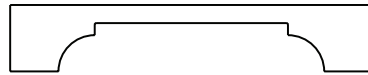
CWS6 – Elegant Arch



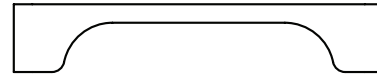
CWS5 – Classic Arch



CWS7 – Traditional Arch

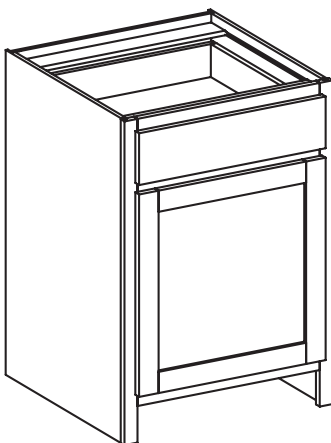


Elegant 2:  
AB1B – Both  
AB1L – Left  
AB1R – Right



Traditional 2:  
AB2B – Both  
AB2L – Left  
AB2R – Right

### Leg Extension (LE)

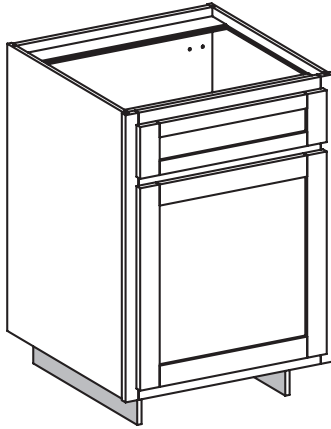


EXP	FL	FUE	SS	PFD	EXT	FT	SBR	LE	TSS	OS	NSH	WS	MI	DT	NB
								✓							

- Option extends exterior frame stiles to the floor into toe space for furniture "leg" styling.
- Specify "LE" – "L" (Left), "R" (Right) or "B" (Both).
- When "LE"- "B" is ordered with beaded inset, bottom opening will be beaded.
- Stile width is 1-1/2".
- Not available with loose toe platform or shaped bottom rail.
- Toe Space Side Option is available, not on the same side as the extension.
- Available on most base tall and vanity cabinets.
- Minimum cabinet width is 9".
- Toeboard backer available. Install prior to final cabinet installation
- Use Conestoga's online ordering system, Con-Nex or Conestoga order entry for pricing.

**Options Key:** EXP = Exposed End(s) FL = Flush End(s) FUE = Flush Unexposed End(s) SS = Shaped Side PFD = Prep for False Door  
 EXT = Extended Stile(s) FT = Flush Toe SBR = Shaped Bottom Rail LE = Leg Extension TSS = Toe Space Side OS = Omit Shelving  
 NSH = No Shelf Holes WS = Solid Wood Shelves MI = Matching Interior DT = Dust Top NB = Natural Finished Bottom

### Toe Space Side Option (TSS)



EXP	FL	FUE	SS	PFD	EXT	FT	SBR	LE	TSS	OS	NSH	WS	MI	DT	NB
									✓						

- Places standard toe space depth on the left, right or both sides of most base cabinets.
- Specify “TSS” – “L” (Left), “R” (Right) or “B” (Both).
- Toe Space Side is not available on the following cabinets: BLS, BSC, BCFD, BAE, BEAL/R, RTB, RTR, RTL, TCH, DB, DBFD, DB2D, DB3D, LF2D, ORS, DWEP, REP, BFC, WSUD and FS.
- Minimum cabinet width and depth is 15". TSS both, both minimum depth is 18".
- Use Conestoga’s online ordering system, Con-Nex or Conestoga order entry for pricing.

### Shelf Options

#### Omit Shelving (OS)

EXP	FL	FUE	SS	PFD	EXT	FT	SBR	LE	TSS	OS	NSH	WS	MI	DT	NB
										✓					

- Choose to omit interior shelving in wall, base and tall cabinets.
- Wall and base omit option deletes all shelves.
- Tall cabinets: specify top, bottom or all shelves.
- Omits shelving only; if shelf holes are not required, specify No Shelf Hole Option.
- Use Conestoga’s online ordering system, Con-Nex or Conestoga order entry for pricing.

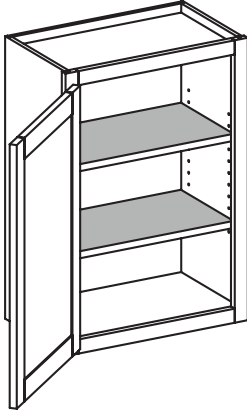
#### No Shelf Hole Option (NSH)

EXP	FL	FUE	SS	PFD	EXT	FT	SBR	LE	TSS	OS	NSH	WS	MI	DT	NB
											✓				

- Choose to omit line boring for shelf rests in wall, base and tall cabinets.
- Most wall and all base omit option deletes all holes.
- Two tiered wall cabinets (TTW) and tall cabinets: specify top, bottom or all holes.
- Omit shelf holes only; if shelves are not required, also specify Omit Shelving Option.
- No upcharge.

**Options Key:** EXP = Exposed End(s) FL = Flush End(s) FUE = Flush Unexposed End(s) SS = Shaped Side PFD = Prep for False Door  
 EXT = Extended Stile(s) FT = Flush Toe SBR = Shaped Bottom Rail LE = Leg Extension TSS = Toe Space Side OS = Omit Shelving  
 NSH = No Shelf Holes WS = Solid Wood Shelves MI = Matching Interior DT = Dust Top NB = Natural Finished Bottom

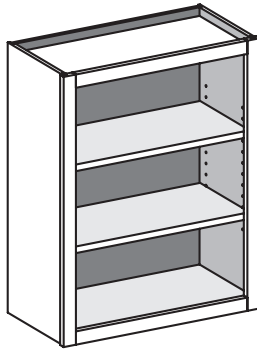
### Solid Wood Shelf Upgrade (WS)



EXP	FL	FUE	SS	PFD	EXT	FT	SBR	LE	TSS	OS	NSH	WS	MI	DT	NB
												✓			

- Replaces 3/4" thick prefinished plywood shelving with 3/4" thick, prefinished solid wood shelving with a bullnose on front edge.
- Solid wood shelves available up to 18" deep.
- Solid wood shelf upgrade is not available with matching interior.
- Use Conestoga's online ordering system, Con-Nex or Conestoga order entry for pricing.

### Matching Interior (MI)



EXP	FL	FUE	SS	PFD	EXT	FT	SBR	LE	TSS	OS	NSH	WS	MI	DT	NB
													✓		

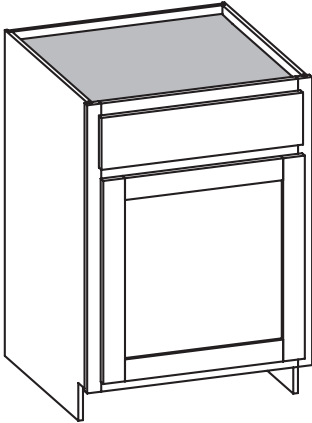
- Cabinets will have unfinished matching specie interior sides, tops, bottoms, shelves and backs.
- Specify: "MI" (Matching Interior).
- Shelves are matching specie 3/4" plywood with veneer edgebanding on front edge.
- Hard Maple and Soft Maple cabinets have Hard Maple veneered interior components.
- Cabinets with matching interior standard do not have the matching interior upcharge included in the cabinet price.

#### Matching Specie Interior

Specie	
Cherry	Red Oak
Maple	

**Options Key:** EXP = Exposed End(s) FL = Flush End(s) FUE = Flush Unexposed End(s) SS = Shaped Side PFD = Prep for False Door  
 EXT = Extended Stile(s) FT = Flush Toe SBR = Shaped Bottom Rail LE = Leg Extension TSS = Toe Space Side OS = Omit Shelving  
 NSH = No Shelf Holes WS = Solid Wood Shelves MI = Matching Interior DT = Dust Top NB = Natural Finished Bottom

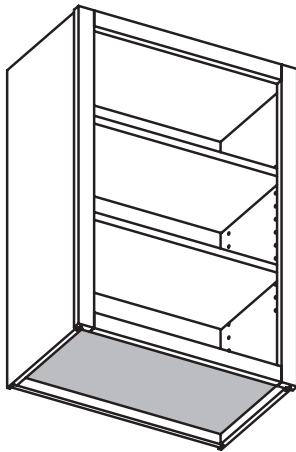
**Dust Top (DT)**



EXP	FL	FUE	SS	PFD	EXT	FT	SBR	LE	TSS	OS	NSH	WS	MI	DT	NB
														✓	

- Full top in place of front and back top strips.
- Specify: "DT" (Dust Top).
- Use Conestoga's online ordering system, Con-Nex or Conestoga order entry for pricing.

**Natural Finished Bottom (NB)**



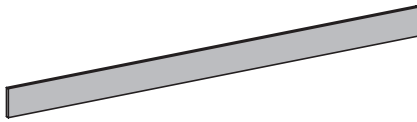
EXP	FL	FUE	SS	PFD	EXT	FT	SBR	LE	TSS	OS	NSH	WS	MI	DT	NB
															✓

- Clear UV finish on Natural Birch veneer on top and bottom of wall cabinets.
- To order, specify natural finished bottom.
- Use Conestoga's online ordering system, Con-Nex or Conestoga order entry for pricing.

**Options Key:** EXP = Exposed End(s) FL = Flush End(s) FUE = Flush Unexposed End(s) SS = Shaped Side PFD = Prep for False Door  
 EXT = Extended Stile(s) FT = Flush Toe SBR = Shaped Bottom Rail LE = Leg Extension TSS = Toe Space Side OS = Omit Shelving  
 NSH = No Shelf Holes WS = Solid Wood Shelves MI = Matching Interior DT = Dust Top NB = Natural Finished Bottom

### Plywood Toeboard Strips

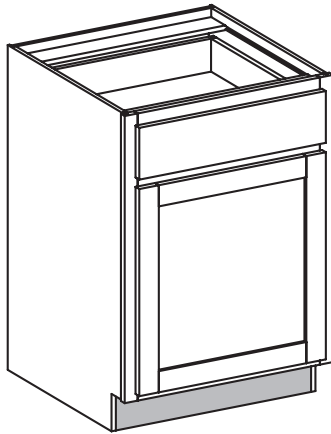
- 1/2" thick 96" x 4" plywood strips available in Cherry, Hard Maple or Red Oak.
- Order as a loose part; specify specie.



#### Plywood Toeboard Strips TE5003 (96" x 4")

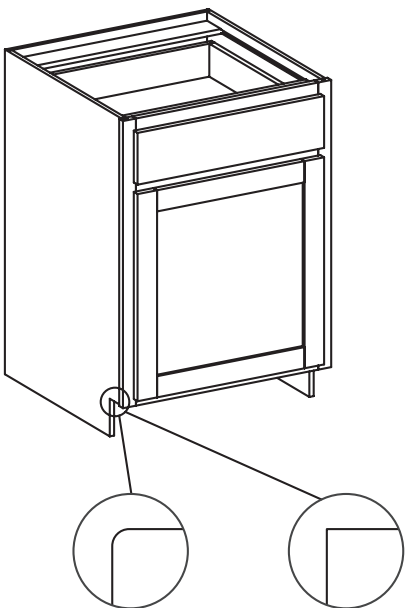
Specie	Price
Cherry	\$14.50
Maple	13.50
Red Oak	11.75

### Plywood Toeboard Backer



- 1/2" thick unfinished plywood strips.
- Designed to fully enclose base, tall and vanity toe spaces and provide a backer for finished toeboards or mouldings.
- Backers are 4-15/16" high, sized to fit between cabinet sides in the toe space notch.
- To order, check toeboard backer option.
- Use Conestoga's online ordering system, Con-Nex or Conestoga order entry for pricing.

### Square Toe Notch Option



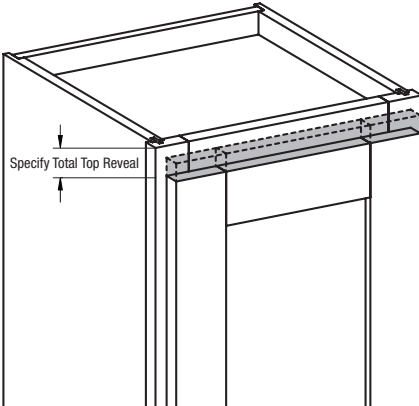
Standard 1/4" radius

90° square toe notch

- Intersecting corner of toe kick notch is 90°.
- Aids in toeboard moulding installation.
- Available on most base, tall and vanity cabinets.
- Not available with flush toe or shaped bottom rail options.
- Use Conestoga's online ordering system, Con-Nex or Conestoga order entry for pricing.

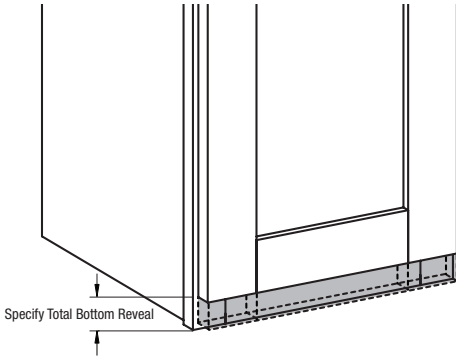


### Custom Top Reveal (CTR)



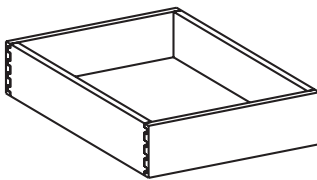
- Reduces door height to attach decorative mouldings directly to a cabinet face frame.
- Left, right and bottom reveal remain unchanged.
- Available with 1-1/4" and 1-3/8" overlay only.  
1-1/4" overlay – 1/2" top reveal is standard, CTR available – 9/16" – 1-1/4".  
1-3/8" overlay – 1/4" top reveal is standard, CTR available – 5/16" – 1-1/4".
- Reveal can be specified in 1/16" increments.
- Specify: "CTR" followed by the total amount of top reveal required.
- Maximum reveal is 1-1/4".
- See the Doors/Overlay Options Section for standard overlay rules.
- Use Conestoga's online ordering system, Con-Nex or Conestoga order entry for pricing.

### Custom Bottom Reveal (CBR)



- Reduces door height to attach light rail or decorative mouldings directly to the bottom rail of the cabinet face frame.
- Left, right and top reveal remain unchanged.
- Available with 1-1/4" and 1-3/8" overlay only – max CBR 1-1/4".
- Reveal can be specified in 1/16" increments.
- Specify: "CBR" followed by the total amount of bottom reveal required.
- Maximum reveal is 1-1/4".
- See the Doors/Overlay Options Section for standard overlay rules.
- Use Conestoga's online ordering system, Con-Nex or Conestoga order entry for pricing.

### 4 – Sided Dovetail Drawer Boxes



- English dovetail construction.
- Drawer sides and ends are 5/8" thick solid Natural Birch with 1/4" Birch plycore bottoms.
- Drawer boxes are assembled and prefinished.
- Drawer slides are packaged separately from cabinets.
- Boxes will be notched and hook hole drilled accordingly, based on slide requirements. Appropriate upcharges apply.
- Hard Maple, Soft Maple and Walnut drawer boxes are available with Cabinet Systems orders; custom pricing and lead-times apply.
- Use Conestoga's online ordering system, Con-Nex or Conestoga order entry for pricing.

## Drawer Slide Options

### Blum TANDEM Plus BLUMOTION Integrated Soft Close

- Standard slide for drawer boxes in 12", 15", 18", 21", 27" and 30" deep cabinets.
- Full extension zinc coated steel with rear mount screw-in bracket (15", 18", 21" or 24" deep).
- Cabinet backs have pilot holes to locate rear mounting brackets.
- Side mount with cleats (12", 27", or 30" deep).
- 1/2" bottom reveal, undermount notch and hook hole required. Blum TANDEM sizing without slides also available.
- Blum drawer slides carry a limited lifetime warranty.
- Use Conestoga's online ordering system, Con-Nex or Conestoga order entry for pricing.

### Side Mount Slides – Ball Bearing Full Extension

- Standard slide for wall cabinets and POT's.
- Not available with base, vanity or tall cabinets.
- 1/2" bottom reveal is standard.

### Ordering - Loose Parts

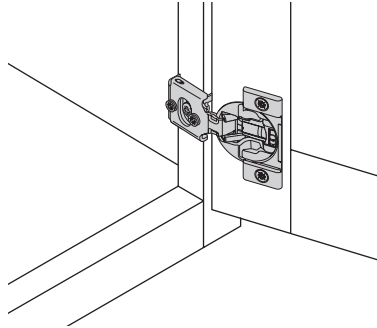
Cabinet Depth	Blum TANDEM Plus BLUMOTION	Ball Bearing Full Extension
12" Deep	2100497A	—
12-1/2" Deep	—	2100069A
15" Deep	2100498A	—
18" Deep	2100476A	—
21" Deep	2100475A	2100028A
24" Deep	2100474A	2100027A
27" Deep	2100499A	—
30" Deep	2100500A	—

## Cabinet Hinge Options

### BLUM Hinge Program Overview

- 1-piece steel, nickel plated concealed hinges.
- Hinges packed in pairs or bulk pack and include mounting screws, installation instructions and warranty information.
- Hinge option is only available on door styles and edge profiles which support concealed hinge boring.
- Doors over 42" high will receive 3 hinges.
- Specify hinging left or right for single door cabinets if hinge boring option is selected.
- Blum hinges carry a limited lifetime warranty.

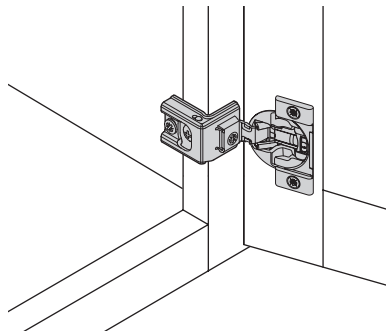
### COMPACT BLUMOTION – Hinges with Integrated Soft Close



- Available for 1/2", 1-1/4" and 1-3/8" overlays.
- Soft close feature is integrated in the hinge cup itself.
- Soft close function can be easily deactivated with a switch on individual hinges as needed based on the door size and weight.
- All hinges feature side, height, and depth adjustment for fine tuning door spacing with wraparound face frame mounting for ease of installation.
- Blum COMPACT BLUMOTION hinges require Pattern "A" cup only boring.
- Note: When 1-1/4" or 1-3/8" overlay is ordered, extended stiles or loose filler strips may be required in applications where cabinets are installed next to a tall cabinet, corner cabinet or a wall.
- Hinges available packaged in pairs or bulk pack (50 hinges per pack, including mounting screws).

#### 1/2" Overlay Hinge

Blum COMPACT BLUMOTION 38N  
105° opening angle.



COMPACT BLUMOTION Hinges (per pair)	
Part #	Overlay
2100150A	1/2"
2100151A	1-1/4"
2100152A	1-3/8"

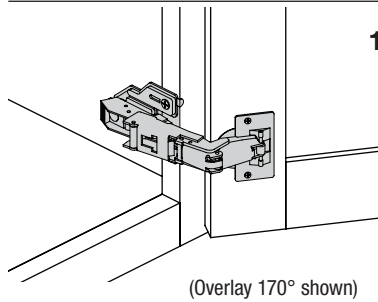
COMPACT BLUMOTION Bulk Pack Hinges (50 hinges)	
Part #	Overlay
2100153A	1/2"
2100154A	1-1/4"
2100155A	1-3/8"

#### 1-1/4" and 1-3/8" Overlay Hinge

Blum COMPACT BLUMOTION 39C  
110° opening angle.

## Cabinet Hinge Options (continued)

### Blum Specialty Hinges



(Overlay 170° shown)

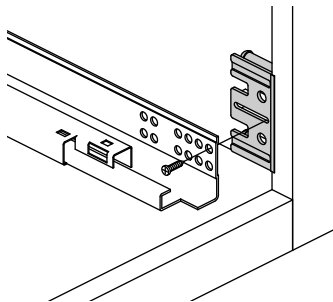
#### 170° Hinges

- Provides full access to cabinet interiors with 170° opening angle for overlay and inset door applications.
- In 1-1/4" and 1-3/8" overlay applications, cabinets will have their doors sized as 1/2" overlay in width only.
- 2-piece, clip style hinge with side, height and depth adjustment points.
- 170° corner hinges require Pattern "B" cup only boring.
- BLUMOTION soft close feature is not available.
- Standard on WCP and BLS cabinets.
- To order loose, specify:
  - Overlay 170° – part # 2100063A.
  - Inset 170° – part # 2100509A.
- Use Conestoga's online ordering system, Con-Nex or Conestoga order entry for pricing.

**Blum 71T6550 hinge**  
**Blum 175H6000 mounting plate**  
 Overlay 170°

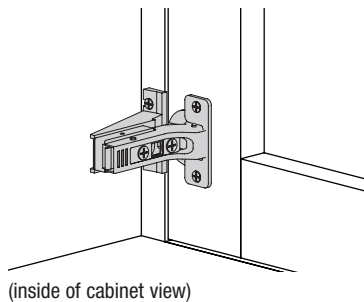
**Blum 71T6650 hinge**  
**Blum 175H5030 mounting plate**  
 Inset 170°

### Inset Hardware



#### Inset Mounting Brackets for TANDEM plus BLUMOTION Drawer Slides

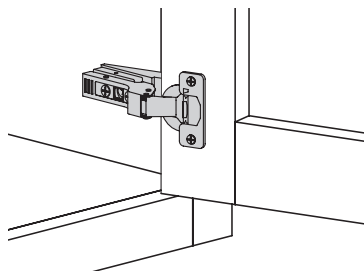
- Drawer slide adjustable mounting plate system for inset applications with framed cabinetry.
- Eliminates the need for supplemental blocking behind face frames to secure TANDEM slides.
- Sold in pairs, bracket sets include installation screws and instructions.
- Brackets afford up to 5/8" depth adjustment using standard TANDEM rear mounting brackets.
- To order loose, specify part # 2100200.
- Use Conestoga's online ordering system, Con-Nex or Conestoga order entry for pricing.



(inside of cabinet view)

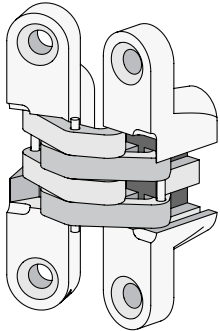
#### Concealed Inset Hinges

- Hinge and mounting plate system for concealed inset applications with framed cabinetry.
- Soft close feature is integrated in the hinge cup.
- Hinge packs include screws and two adjustable door stops with bumpers.
- Concealed inset hinges require Pattern "B" cup only boring.
- Door and front frame thickness must match.
- To order loose, specify part # 2100067A.
- Use Conestoga's online ordering system, Con-Nex or Conestoga order entry for pricing.



**Blum 71B3650NI hinge**  
**Blum 175H5030.21 mounting plate**  
 120° opening angle

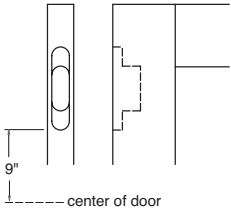
Cabinet Hinge Options (continued)



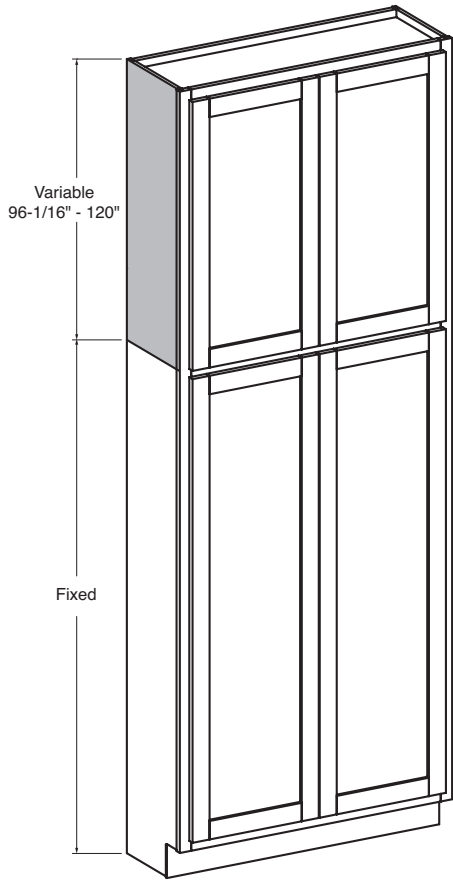
**SOSS Hinge Option**

- SOSS Hinge Model 204 Invisible Hinge provides 180 degree bi-fold hinge for corner pie cut cabinets.
- Available with WCP/CSWCP, WCPLS/CSWCLPLS, BCP/CSBCP and BCPLS cabinets.
- Available in Brass or Chrome finish; specify finish when ordering.
- Includes SOSS hinge boring; Routs are placed 9" off center, measure from the vertical center of the door to the start of the rout.
- Not available on doors over 42" high or under 25-1/8" high.

**SOSS Hinge**



## Extended Height Option - Tall Cabinets

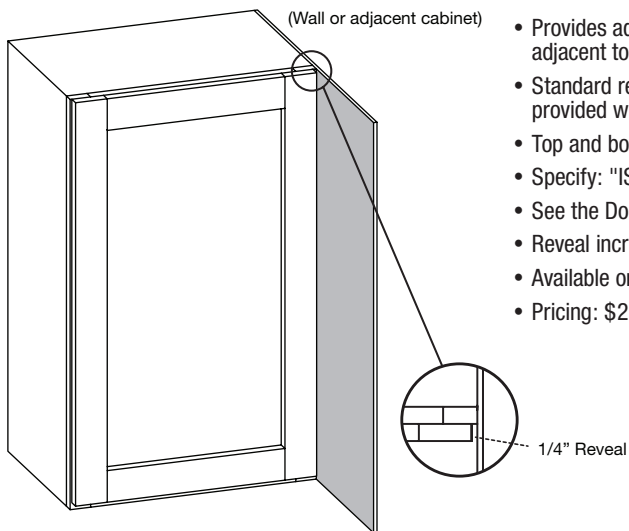


- Choose to extend height of Custom Size Tall Cabinets from 96-1/16" to 120".
- Available in Cherry and Hard Maple only.
- Flush ends only.
- Matching interiors not available. Natural Birch UV material will be used.
- Fixed section is based on cabinet configuration chosen.
- Separate 4" high toe platform is available in all heights and is strongly recommended for the extended height option.
- When cabinet height changes, top opening height changes accordingly.
- Maximum overall height is 120".
- 96-1/16" to 108" tall cabinets have eight shelves.
- 108-1/16" to 120" tall cabinets have nine shelves.
- Use Conestoga's online ordering system, Con-Nex or Conestoga order entry for pricing.

11

Options

## Increase Side Reveal (ISR)



- Provides additional door clearance for 1-3/8" overlay when cabinets are installed adjacent to walls or deeper cabinetry.
- Standard reveal is changed from 1/8" to 1/4" and 1-1/4" overlay hinges will be provided when hinges are selected.
- Top and bottom reveal remain unchanged.
- Specify: "ISR" left, right or both.
- See the Doors/Drawer Fronts Section for standard overlay rules.
- Reveal increased on the hinged side of doors.
- Available on most wall, base, tall and vanity cabinets.
- Pricing: \$2.50 (list) per cabinet.